



T&S BRASS AND BRONZE WORKS, INC.
 2 Saddleback Cove / P.O. Box 1088
 Travelers Rest, SC 29690

Model No.
B-1035-ST

Item No.

Travelers Rest, SC: 800-476-4103 • Simi Valley, CA: 800-423-0150 • Fax: 864-834-3518 • www.tsbrass.com



ADA Compliant

This Space for Architect/Engineer Approval

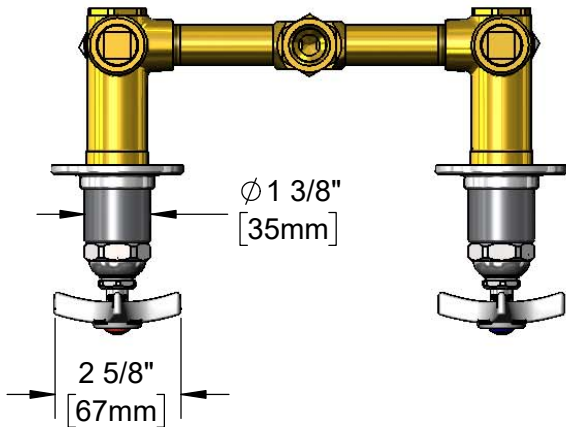
Job Name _____ Date _____

Model Specified _____ Quantity _____

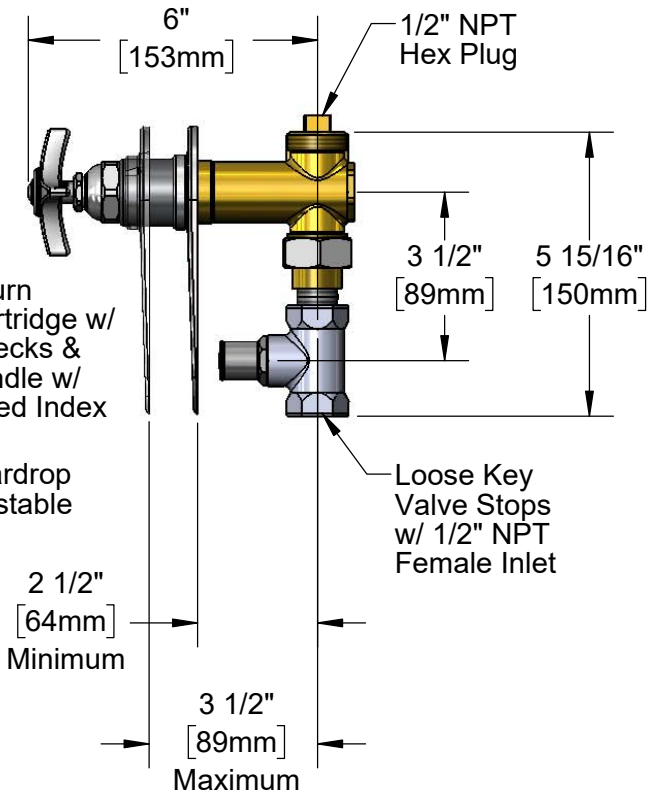
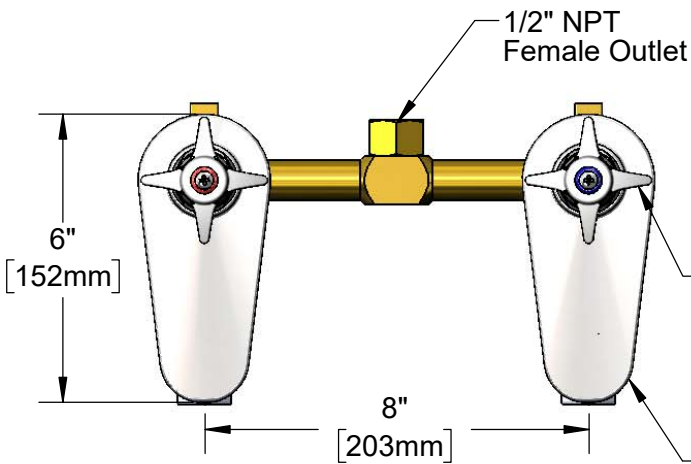
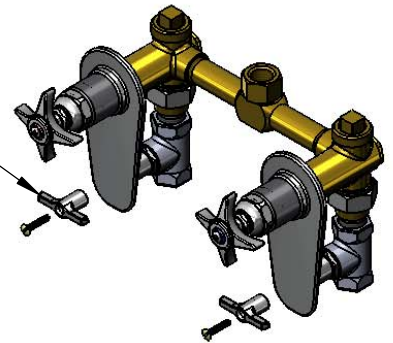
Customer/Wholesaler _____

Contractor _____

Architect/Engineer _____



Loose Key
 Tee Handle
 (Operates Stop
 From Behind
 Wall Flange)
 Mounting Screw
 Included



Rough-In Requirement:
 ϕ 1 1/2" [38mm] Mounting Holes

Product Specifications:
 8" Concealed Bypass Mixing Valve, Quarter-Turn Eterna Cartridges w/ Spring Checks, 4-Arm Handles, Loose Key Stops w/ Tee Handles, 6" Tall Tear Drop Wall Flanges & 1/2" NPT Female Inlets & Outlet

Product Compliance:
 ASME A112.18.1 / CSA B125.1
 NSF 61 - Section 9
 NSF 372 (Low Lead Content)
 ANSI A117.1 (ADA)
 Product Not Designed/Intended for Bath/ Shower Applications



T&S BRASS AND BRONZE WORKS, INC.

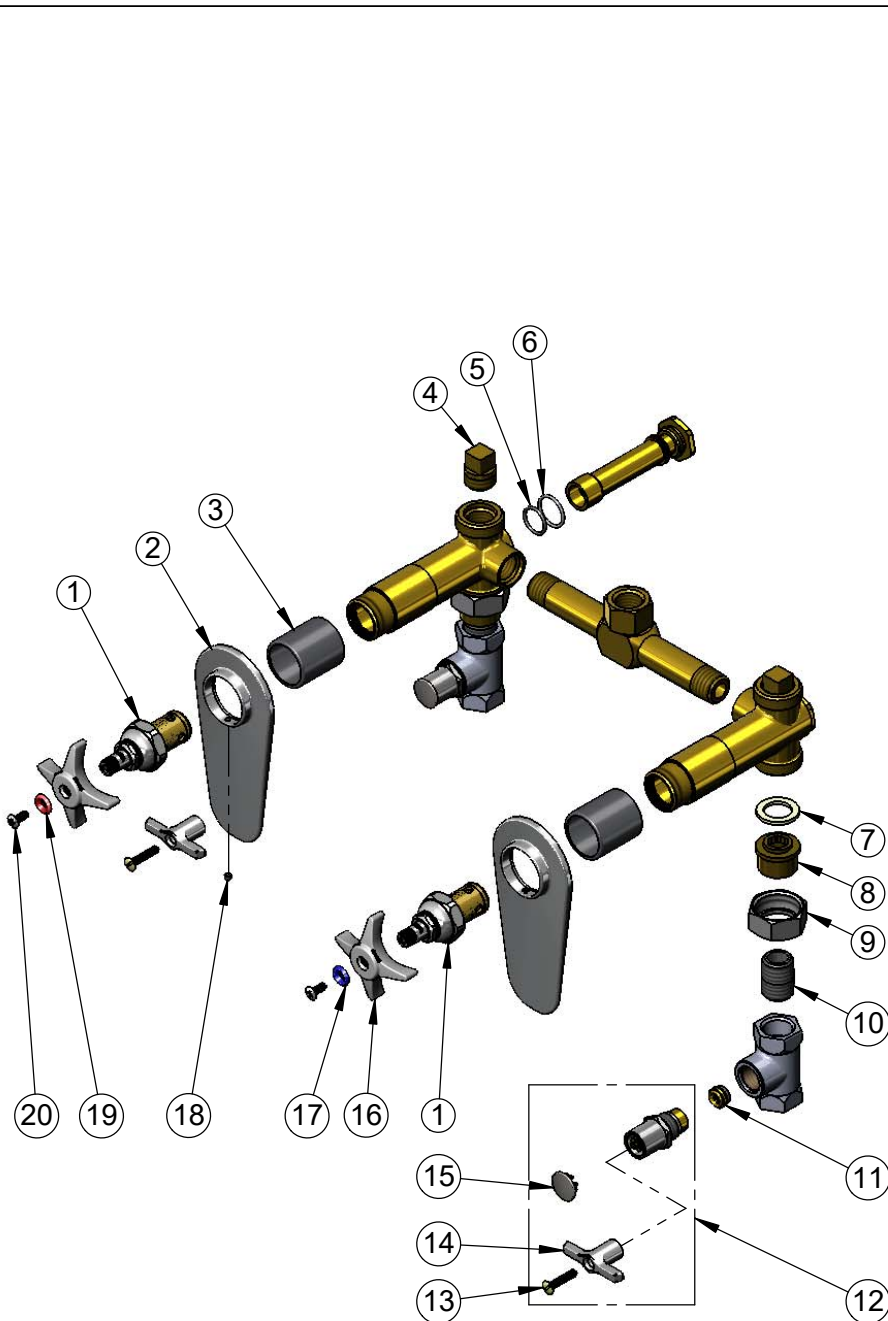
2 Saddleback Cove / P.O. Box 1088
Travelers Rest, SC 29690

Model No.

B-1035-ST

Item No.

Travelers Rest, SC: 800-476-4103 • Simi Valley, CA: 800-423-0150 • Fax: 864-834-3518 • www.tsbrass.com



ITEM NO.	SALES NO.	DESCRIPTION
1	012443-40	Quarter-Turn Eterna Cartridge w/ Spring Check, RTC
2	002820-40	6" Tear Drop Wall Flange
3	151F	Escutcheon Tube
4	001347-20	1/2" NPT Square Head Plug
5	001062-45	O-Ring
6	001702-45	O-Ring
7	001019-45	Coupling Nut Washer
8	153F	Union Half, 1/2 NPT w/ Washer
9	000721-25	Flange Coupling Nut
10	002534-25	Close Nipple, 1/2" NPT
11	000763-20	Seat
12	166A	Service Stop w/ Tee Handle & Screw
13	002432-45	Screw, Tee Handle
14	001802-45	Handle, Supply Stop "T"
15	001605-45	Cap
16	002521-45	4-Arm Handle
17	001660-45	Blue Index-CW
18	000939-45	Escutcheon, Set Screw
19	001661-45	Red Index-HW
20	000922-45	Lever Handle Screw

Product Specifications:
8" Concealed Bypass Mixing Valve, Quarter-Turn Eterna Cartridges w/ Spring Checks, 4-Arm Handles, Loose Key Stops w/ Tee Handles, 6" Tall Tear Drop Wall Flanges & 1/2" NPT Female Inlets & Outlet

Product Compliance:
ASME A112.18.1 / CSA B125.1
NSF 61 - Section 9
NSF 372 (Low Lead Content)
ANSI A117.1 (ADA)
Product Not Designed/Intended for Bath/ Shower Applications