



T&S BRASS AND BRONZE WORKS, INC.

2 Saddleback Cove / P.O. Box 1088
Travelers Rest, SC 29690

Model No.

B-0892-F1-CR-SC

Item No.

Travelers Rest, SC: 800-476-4103 • Simi Valley, CA: 800-423-0150 • Fax: 864-834-3518 • www.tsbrass.com



ADA Compliant

This Space for Architect/Engineer Approval

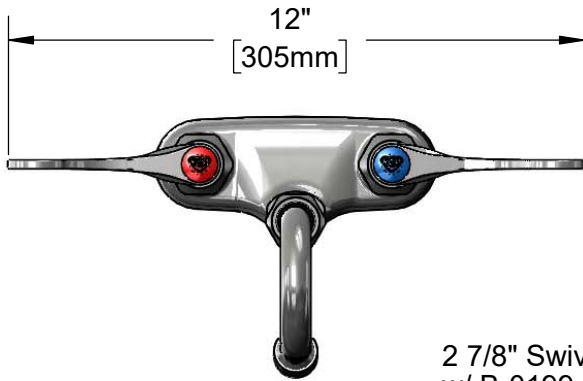
Job Name _____ Date _____

Model Specified _____ Quantity _____

Customer/Wholesaler _____

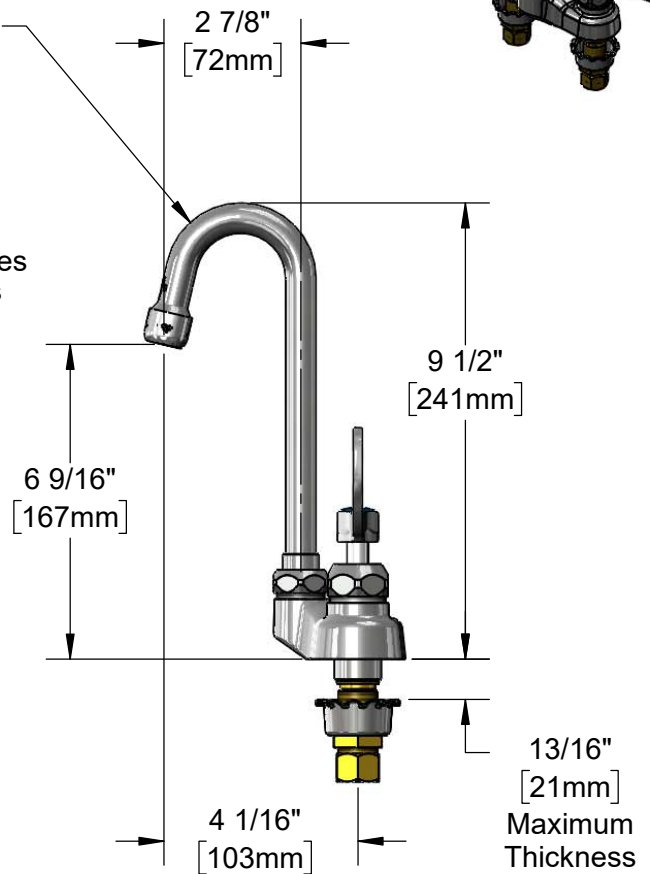
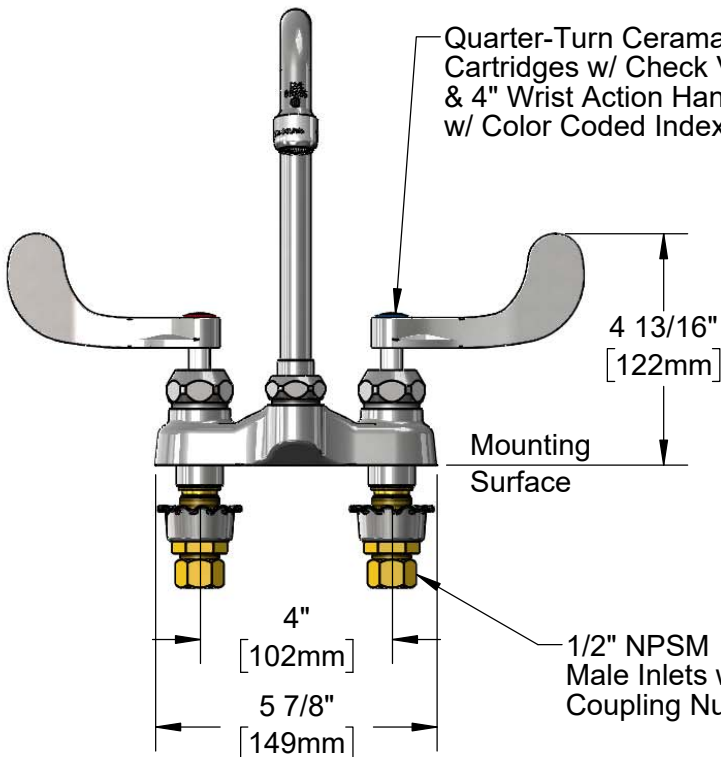
Contractor _____

Architect/Engineer _____



2 7/8" Swivel Gooseneck w/ B-0199-01-F10 1.0 GPM Aerator. Converts to Rigid w/ 014200-45 Lock Washer (Included)

Quarter-Turn Cerama Cartridges w/ Check Valves & 4" Wrist Action Handles w/ Color Coded Indexes



Rough-In Requirement:
(2) ϕ 1 1/8" [26mm] Mounting Holes

Product Specifications:
4" Centerset Deck Mount Mixing Faucet, Quarter-Turn Cerama Cartridges w/ Check Valves, 4" Wrist Action Handles, 2 7/8" Swivel Gooseneck, 1.0 GPM Aerator & 1/2" NPSM Male Inlets w/ Coupling Nuts

Product Compliance:
ASME A112.18.1 / CSA B125.1
NSF 61 - Section 9
NSF 372 (Low Lead Content)
ANSI A117.1 (ADA)



T&S BRASS AND BRONZE WORKS, INC.

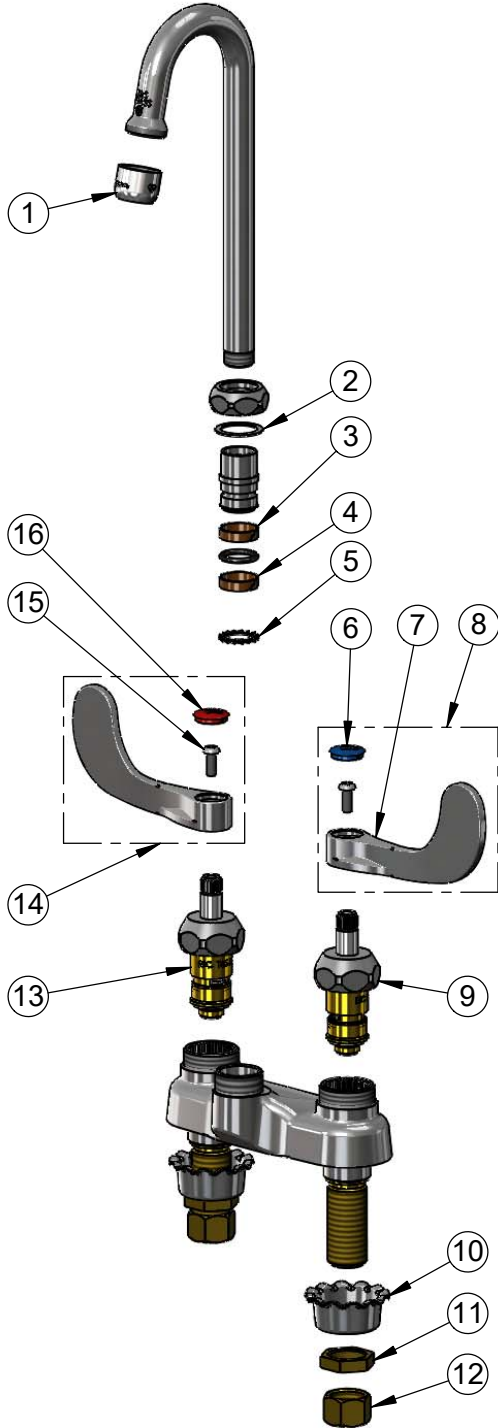
2 Saddleback Cove / P.O. Box 1088
Travelers Rest, SC 29690

Model No.

B-0892-F1-CR-SC

Item No.

Travelers Rest, SC: 800-476-4103 • Simi Valley, CA: 800-423-0150 • Fax: 864-834-3518 • www.tsbrass.com



ITEM NO.	SALES NO.	DESCRIPTION
1	B-0199-01-F10	1.0 GPM Aerator, Female
2	009538-45	Swivel Washer
3	011429-45	Swivel Sleeves (2)
4	001074-45	O-Ring
5	014200-45	Star Washer, Anti-Rotation
6	018506-19NS	Blue Button Index, Press-in
7	B-WH4-NS	Wrist Action Handle (New Style)
8	B-WH4C-NS	Wrist Action Handle, Blue Index & Screw
9	012395-25NS	Quarter-Turn Cerama Cartridge w/ Check Valve, LTC
10	001000-45	Rosette Washer
11	002954-45	Shank Lock Nut
12	000958-20	Coupling Nut
13	012394-25NS	Quarter-Turn Cerama Cartridge w/ Check Valve, RTC
14	B-WH4H-NS	Wrist Action Handle, Red Index & Screw
15	000925-45	Lab Handle Screw
16	001193-19NS	Red Button Index, Press-in

Product Specifications:

4" Centerset Deck Mount Mixing Faucet , Quarter-Turn Cerama Cartridges w/ Check Valves, 4" Wrist Action Handles, 2 7/8" Swivel Gooseneck, 1.0 GPM Aerator & 1/2" NPSM Male Inlets

Product Compliance:

ASME A112.18.1 / CSA B125.1
NSF 61 - Section 9
NSF 372 (Low Lead Content)
ANSI A117.1 (ADA)