



# T&S BRASS AND BRONZE WORKS, INC.

2 Saddleback Cove / P.O. Box 1088  
Travelers Rest, SC 29690

Model No.

**B-0890-VF05**

Item No.

Travelers Rest, SC: 800-476-4103 • Simi Valley, CA: 800-423-0150 • Fax: 864-834-3518 • www.tsbrass.com



**ADA Compliant**

This Space for Architect/Engineer Approval

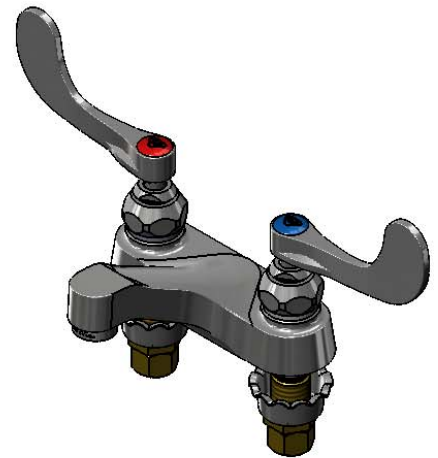
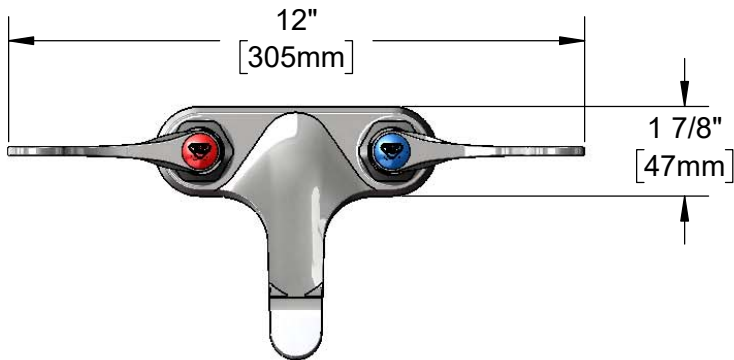
Job Name \_\_\_\_\_ Date \_\_\_\_\_

Model Specified \_\_\_\_\_ Quantity \_\_\_\_\_

Customer/Wholesaler \_\_\_\_\_

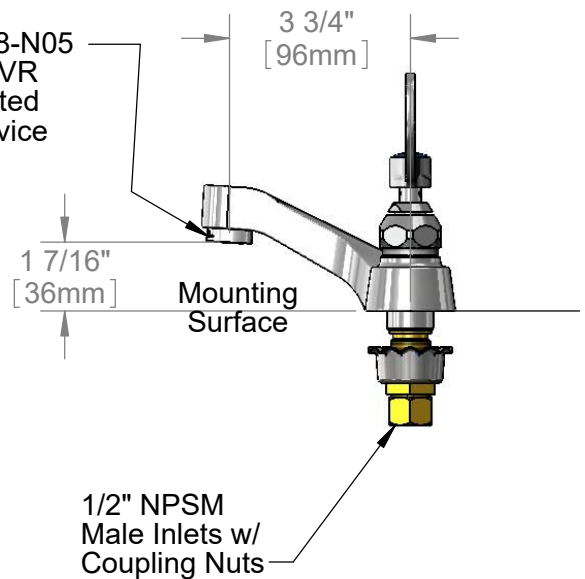
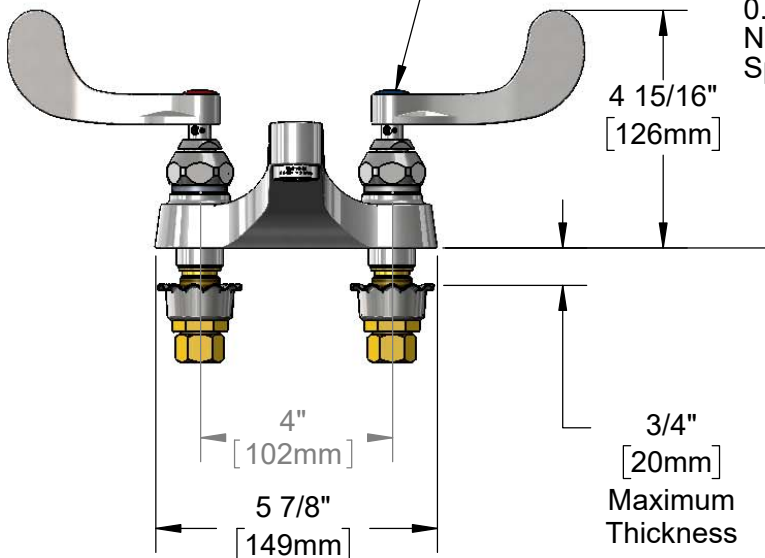
Contractor \_\_\_\_\_

Architect/Engineer \_\_\_\_\_



Quarter-Turn Eterna Cartridges  
w/ Spring Checks &  
4" Wrist Action Handles w/  
VR Screws & Color Coded Indexes

B-0199-08-N05  
0.5 GPM VR  
Non-Aerated  
Spray Device



**Rough-In Requirement:**  
(2)  $\phi$  1 1/8" [29mm] Mounting Holes

**Product Specifications:**  
4" Centerset Deck Mount Faucet, Quarter-Turn Eterna Cartridges w/ Spring Checks, 4" Wrist Action Handles w/ Vandal Resistant Screws, 0.5 GPM VR Non-Aerated Spray Device & 1/2" NPSM Male Inlets w/ Coupling Nuts

**Product Compliance:**  
ASME A112.18.1 / CSA B125.1  
NSF 61 - Section 9  
NSF 372 (Low Lead Content)  
ANSI A117.1 (ADA)



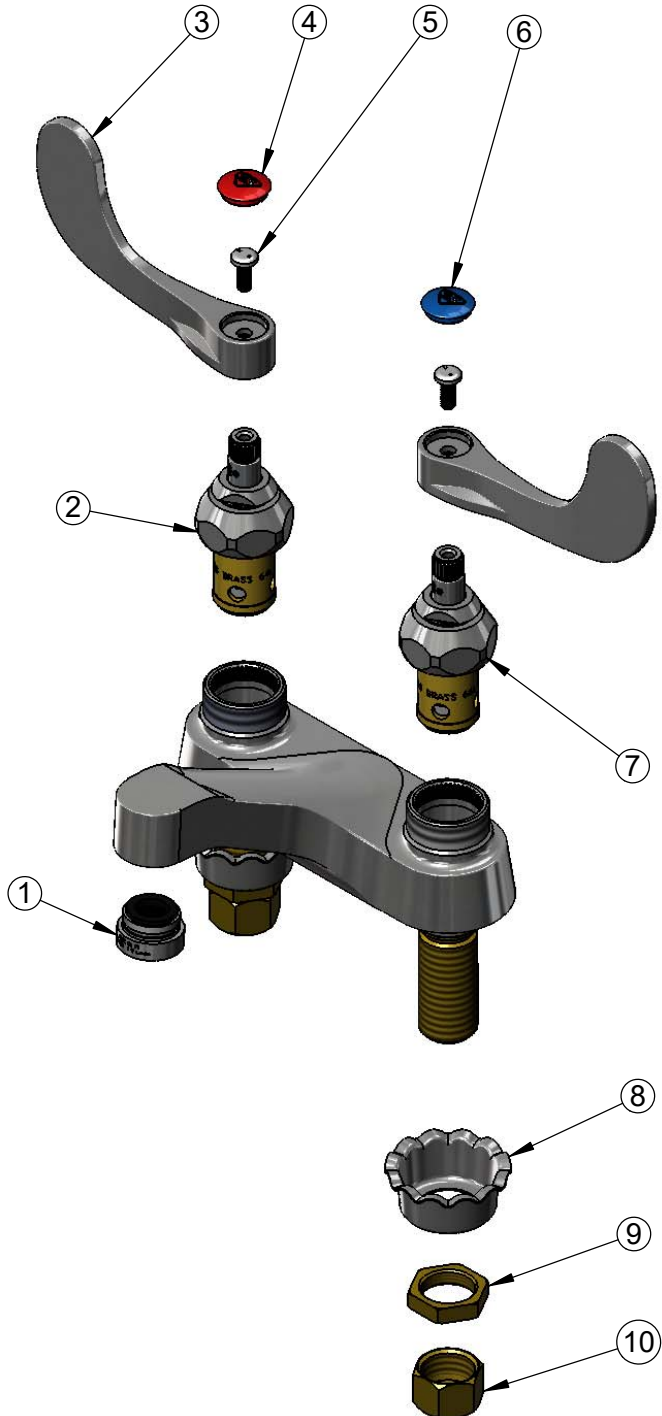
**T&S BRASS AND BRONZE WORKS, INC.**  
 2 Saddleback Cove / P.O. Box 1088  
 Travelers Rest, SC 29690

Model No.  
**B-0890-VF05**

Item No.

Travelers Rest, SC: 800-476-4103 • Simi Valley, CA: 800-423-0150 • Fax: 864-834-3518 • www.tsbrass.com

| ITEM NO. | SALES NO.     | DESCRIPTION  |
|----------|---------------|--|
| 1        | B-0199-08-N05 | 0.5 GPM VR Spray Device, 13/16-27 Male             |
| 2        | 012443-40NS   | Quarter-Turn Eterna Cartridge w/ Spring Check, RTC |
| 3        | B-WH4-NS      | Wrist Action Handle (New Style)                    |
| 4        | 001193-19NS   | Red Button Index, Press-in                         |
| 5        | VRS-2         | VR Wrist Action Handle Screw (2) w/ Spanner Bit    |
| 6        | 018506-19NS   | Blue Button Index, Press-in                        |
| 7        | 012442-40NS   | Quarter-Turn Eterna Cartridge w/ Spring Check, LTC |
| 8        | 001000-45     | Rosette Washer                                     |
| 9        | 002954-45     | Shank Lock Nut                                     |
| 10       | 000958-20     | Coupling Nut                                       |



015425-45  
 Vandal Resistant Key



014075-45  
 Vandal Resistant #10 Spanner Bit

Product Specifications:  
 4" Centerset Deck Mount Faucet, Quarter-Turn Eterna Cartridges w/ Spring Checks, 4" Wrist Action Handles w/ Vandal Resistant Screws, 0.5 GPM VR Non-Aerated Spray Device & 1/2" NPSM Male Inlets w/ Coupling Nuts

Product Compliance:  
 ASME A112.18.1 / CSA B125.1  
 NSF 61 - Section 9  
 NSF 372 (Low Lead Content)  
 ANSI A117.1 (ADA)