



**T&S BRASS AND BRONZE WORKS, INC.**  
 2 Saddleback Cove / P.O. Box 1088  
 Travelers Rest, SC 29690

Model No.  
**B-0890-CR**

Item No.

Travelers Rest, SC: 800-476-4103 • Simi Valley, CA: 800-423-0150 • Fax: 864-834-3518 • www.tsbrass.com



**ADA Compliant**

This Space for Architect/Engineer Approval

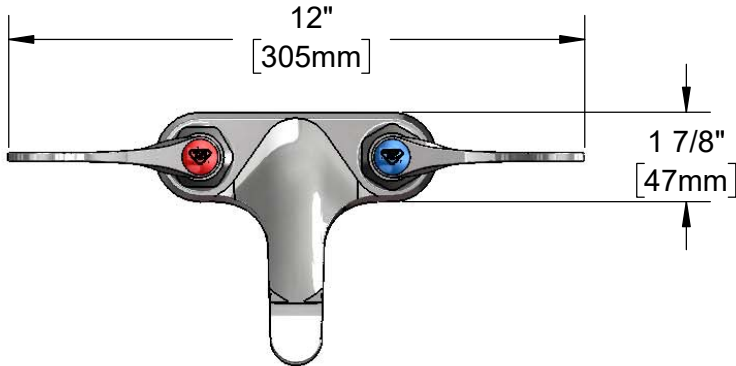
Job Name \_\_\_\_\_ Date \_\_\_\_\_

Model Specified \_\_\_\_\_ Quantity \_\_\_\_\_

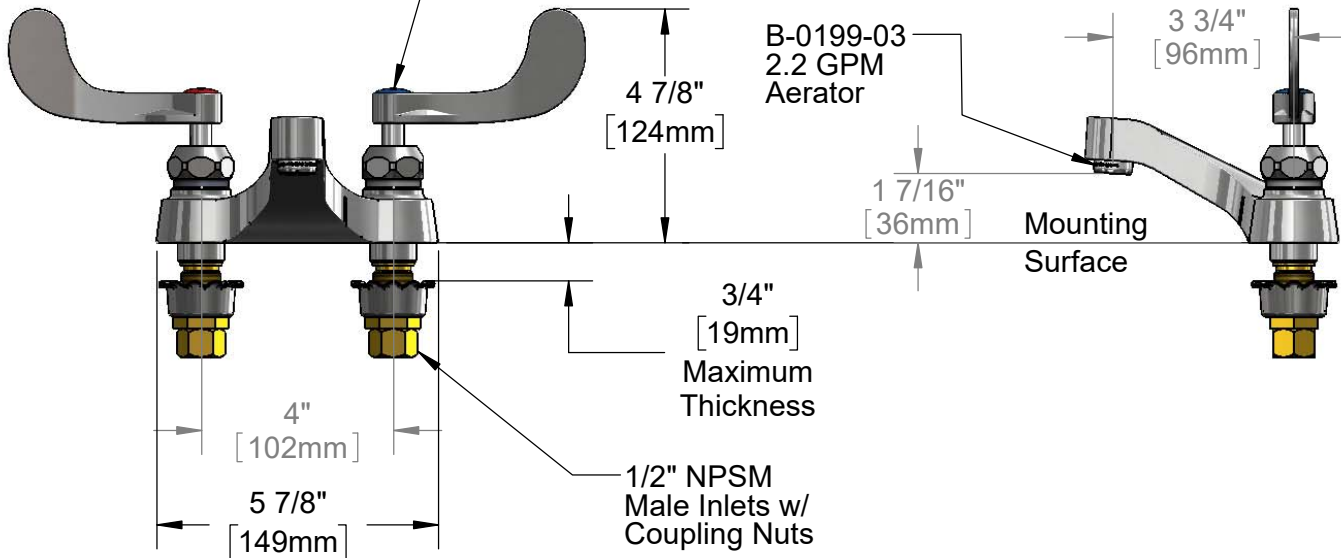
Customer/Wholesaler \_\_\_\_\_

Contractor \_\_\_\_\_

Architect/Engineer \_\_\_\_\_



Quarter-Turn  
 Cerama Cartridges w/  
 Check Valves &  
 4" Wrist Action Handles  
 w/ Color Coded Indexes



**Rough-In Requirement:**  
 (2)  $\phi$  1 1/8" [29mm] Mounting Holes

**Product Specifications:**  
 4" Centerset Deck Mount Faucet, Quarter-Turn Cerama Cartridges w/ Check Valves, 4" Wrist Action Handles, 2.2 GPM Aerator & 1/2" NPSM Male Inlets w/ Coupling Nuts

**Product Compliance:**  
 ASME A112.18.1 / CSA B125.1  
 NSF 61 - Section 9  
 NSF 372 (Low Lead Content)  
 ANSI A117.1 (ADA)

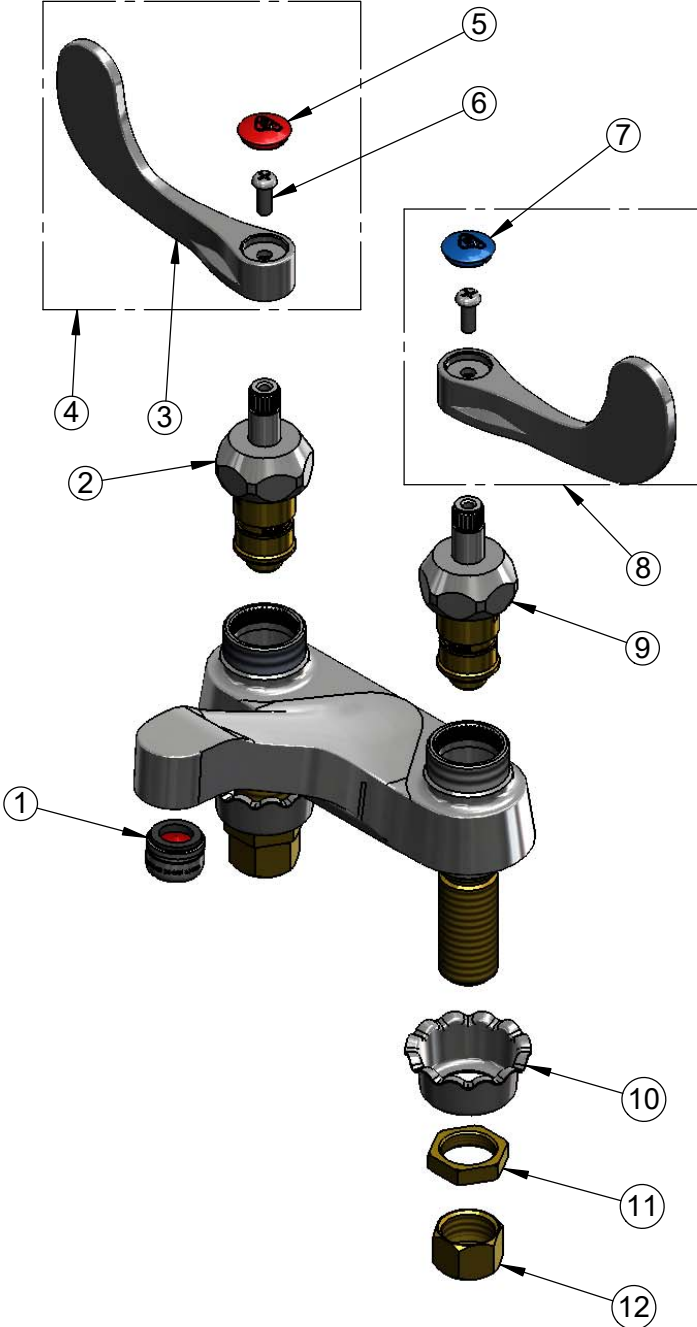


**T&S BRASS AND BRONZE WORKS, INC.**  
 2 Saddleback Cove / P.O. Box 1088  
 Travelers Rest, SC 29690

Model No.  
**B-0890-CR**  
 Item No.

Travelers Rest, SC: 800-476-4103 • Simi Valley, CA: 800-423-0150 • Fax: 864-834-3518 • www.tsbrass.com

ITEM NO.	SALES NO.	DESCRIPTION
1	B-0199-03	2.2 GPM Aerator, 13/16-27 UN Male
2	012394-25NS	Quarter-Turn Cerama Cartridge w/ Check Valve, RTC
3	B-WH4-NS	Wrist Action Handle (New Style)
4	B-WH4H-NS	Wrist Action Handle, Red Index & Screw
5	001193-19NS	Red Button Index, Press-in
6	000925-45	Lab Handle Screw
7	018506-19NS	Blue Button Index, Press-in
8	B-WH4C-NS	Wrist Action Handle, Blue Index & Screw
9	012395-25NS	Quarter-Turn Cerama Cartridge w/ Check Valve, LTC
10	001000-45	Rosette Washer
11	002954-45	Shank Lock Nut
12	000958-20	Coupling Nut



Product Specifications:  
 4" Centerset Deck Mount Faucet, Quarter-Turn Cerama Cartridges w/ Check Valves, 4" Wrist Action Handles, 2.2 GPM Aerator & 1/2" NPSM Male Inlets w/ Coupling Nuts

Product Compliance:  
 ASME A112.18.1 / CSA B125.1  
 NSF 61 - Section 9  
 NSF 372 (Low Lead Content)  
 ANSI A117.1 (ADA)