



**T&S BRASS AND BRONZE WORKS, INC.**  
 2 Saddleback Cove / P.O. Box 1088  
 Travelers Rest, SC 29690

Model No.  
**B-0871-QT-VR22**

Item No.

Travelers Rest, SC: 800-476-4103 • Simi Valley, CA: 800-423-0150 • Fax: 864-834-3518 • www.tsbrass.com



**ADA Compliant**

This Space for Architect/Engineer Approval

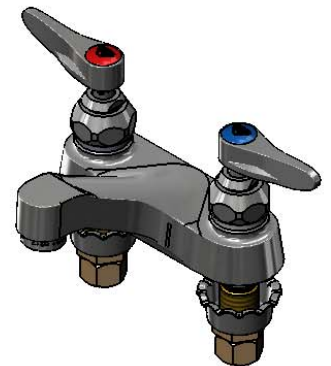
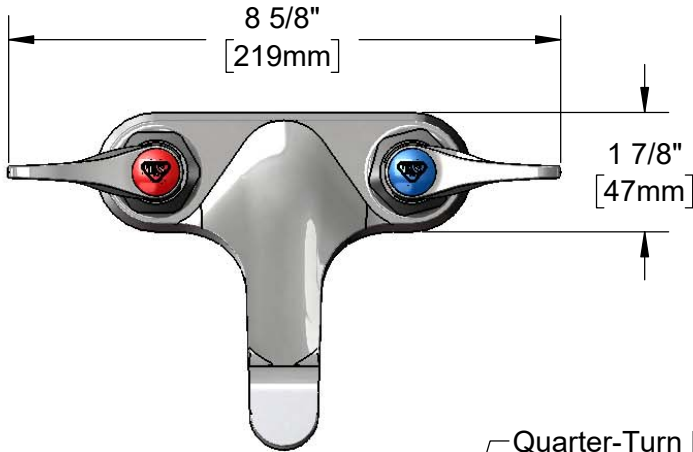
Job Name \_\_\_\_\_ Date \_\_\_\_\_

Model Specified \_\_\_\_\_ Quantity \_\_\_\_\_

Customer/Wholesaler \_\_\_\_\_

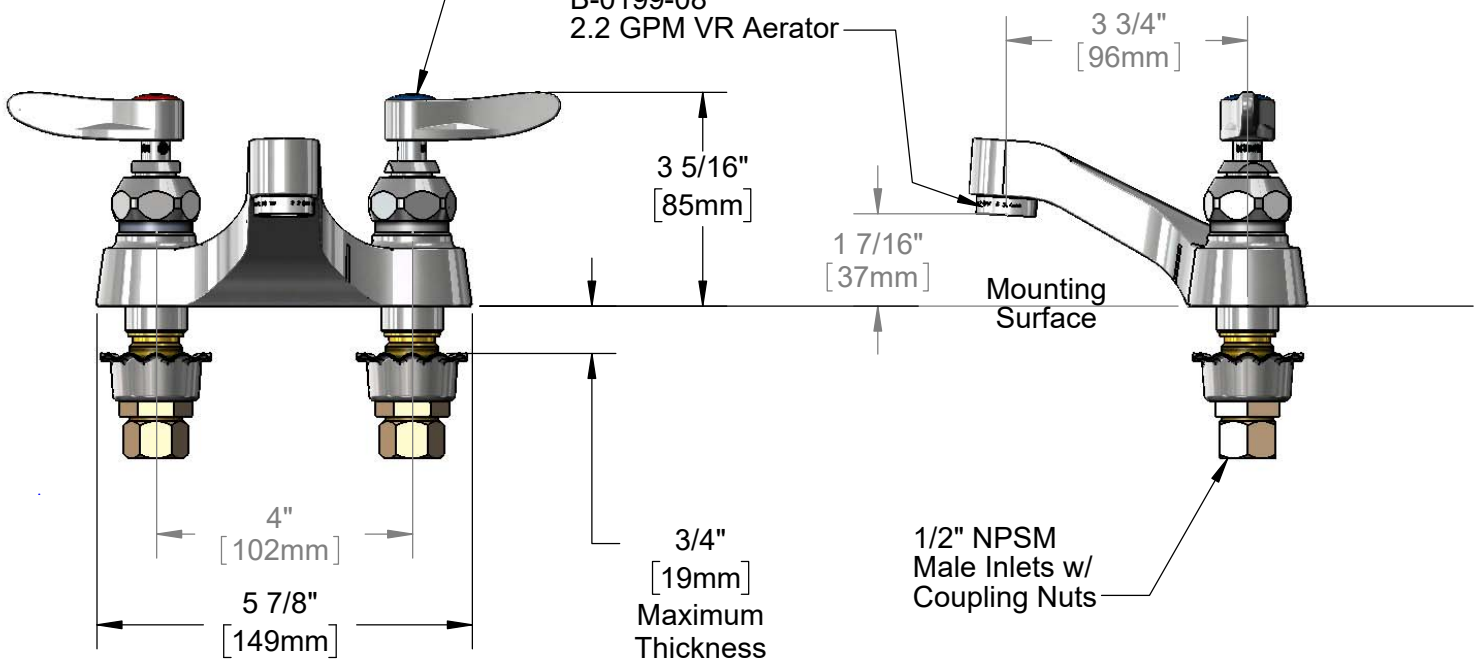
Contractor \_\_\_\_\_

Architect/Engineer \_\_\_\_\_



Quarter-Turn Eterna Cartridges  
 w/ Spring Checks &  
 Lever Handles w/ VR Screws  
 & Color Coded Indexes

B-0199-08  
 2.2 GPM VR Aerator



**Rough-In Requirement:**  
 (2)  $\phi$  1 1/8" [29mm] Mounting Holes

**Product Specifications:**  
 4" Centerset Deck Mount Faucet, Quarter-Turn Eterna Cartridges w/ Spring Checks, Lever Handles w/ VR Screws, 2.2 GPM VR Aerator & 1/2" NPSM Male Inlets w/ Coupling Nuts

**Product Compliance:**  
 ASME A112.18.1 / CSA B125.1  
 NSF 61 - Section 9  
 NSF 372 (Low Lead Content)  
 ANSI A117.1 (ADA)



# T&S BRASS AND BRONZE WORKS, INC.

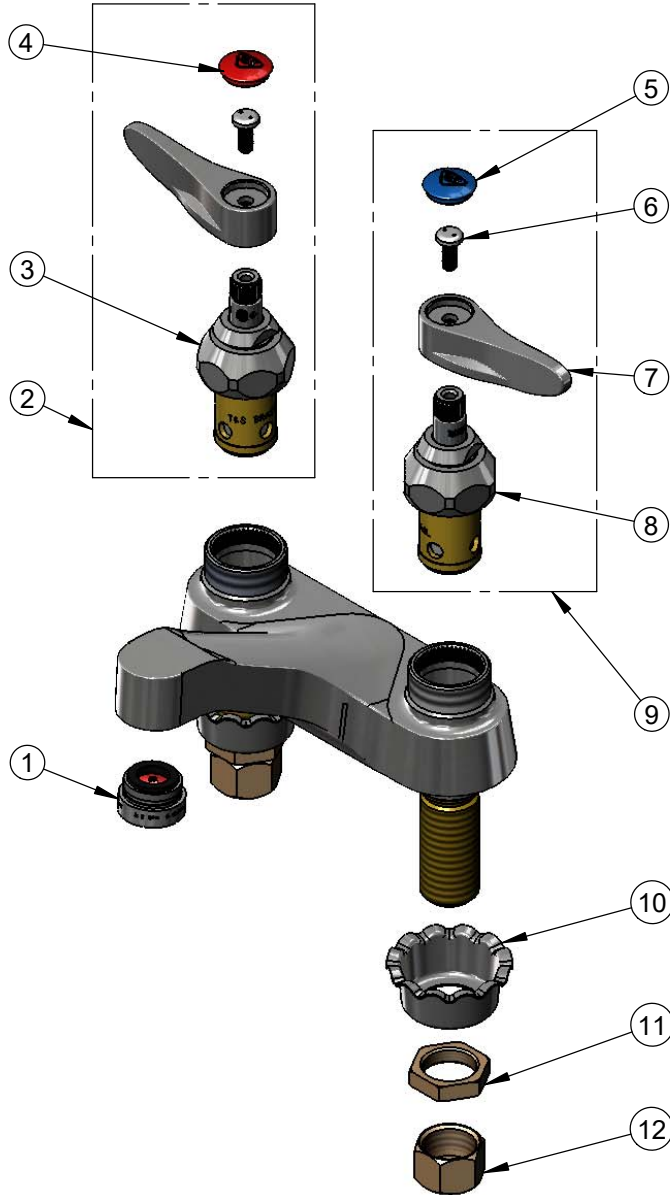
2 Saddleback Cove / P.O. Box 1088  
Travelers Rest, SC 29690

Model No.

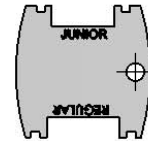
**B-0871-QT-VR22**

Item No.

Travelers Rest, SC: 800-476-4103 • Simi Valley, CA: 800-423-0150 • Fax: 864-834-3518 • www.tsbrass.com



ITEM NO.	SALES NO.	DESCRIPTION
1	B-0199-08	VR 2.2 GPM Aerator, 13/16-27 UN Male w/ Key
2	002712-40NS	Quarter-Turn Eterna Cartridge w/ Spring Check, Handle, Red Index & Screw, RTC
3	012443-40NS	Quarter-Turn Eterna Cartridge w/ Spring Check, RTC
4	001193-19NS	Red Button Index, Press-in
5	018506-19NS	Blue Button Index, Press-in
6	VRS-2	VR Wrist Action Handle Screw (2) w/ Spanner Bit
7	001638-45NS	Lever Handle (New Style)
8	012442-40NS	Quarter-Turn Eterna Cartridge w/ Spring Check, LTC
9	002711-40NS	Quarter-Turn Eterna Cartridge w/ Spring Check, Handle, Blue Index & Screw, LTC
10	001000-45	Rosette Washer
11	002954-45	Shank Lock Nut
12	000958-20	Coupling Nut



015425-45  
Vandal Resistant  
Key



014075-45  
Vandal Resistant  
#10 Spanner Bit

**Product Specifications:**

4" Centerset Deck Mount Faucet, Quarter-Turn Eterna Cartridges w/ Spring Checks, Lever Handles w/ VR Screws, 2.2 GPM VR Aerator & 1/2" NPSM Male Inlets w/ Coupling Nuts

**Product Compliance:**

ASME A112.18.1 / CSA B125.1  
NSF 61 - Section 9  
NSF 372 (Low Lead Content)  
ANSI A117.1 (ADA)