



# T&S BRASS AND BRONZE WORKS, INC.

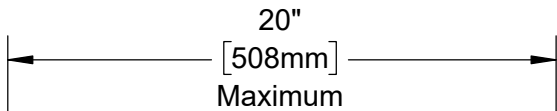
2 Saddleback Cove / P.O. Box 1088  
Travelers Rest, SC 29690

Model No.

**B-0869**

Item No.

Travelers Rest, SC: 800-476-4103 • Simi Valley, CA: 800-423-0150 • Fax: 864-834-3518 • www.tsbrass.com



**ADA Compliant**

This Space for Architect/Engineer Approval

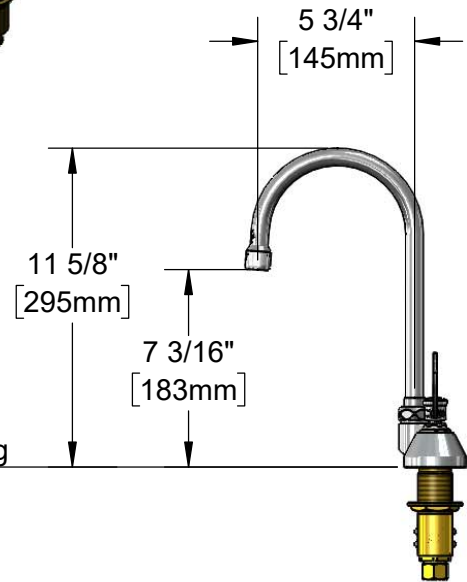
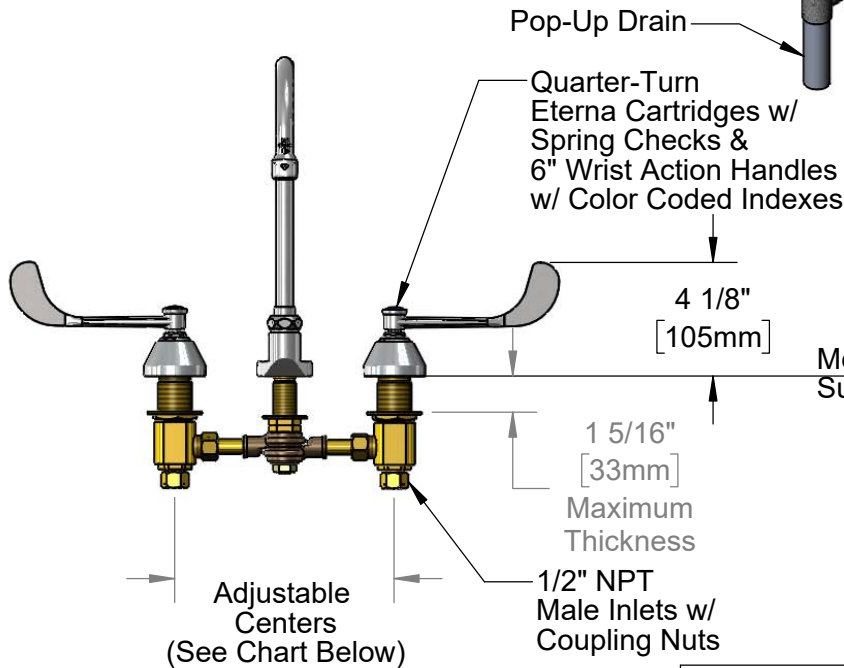
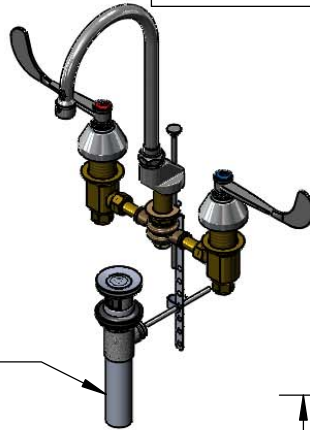
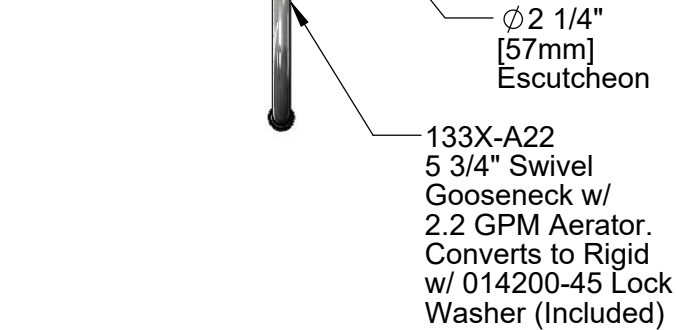
Job Name \_\_\_\_\_ Date \_\_\_\_\_

Model Specified \_\_\_\_\_ Quantity \_\_\_\_\_

Customer/Wholesaler \_\_\_\_\_

Contractor \_\_\_\_\_

Architect/Engineer \_\_\_\_\_



**Rough-In Requirement:**  
Center Shank:  $\phi$  1" [ $\phi$  25mm] Mounting Hole  
Hot/Cold Bodies:  $\phi$  1 1/2" [ $\phi$  38mm] Mounting Holes  
Pop-Up Drain: Fits Sinks with  $\phi$  1 7/16" [36mm] to  $\phi$  1 3/4" [44mm] Drain Hole

| Hot & Cold Center Sections Can be at Angle | if "Y" is | Then Faucet Will Fit "X" with Standard 1/4" NPT Cross Pipes Furnished |
|--|-----------|---|
|  | 1/2"      | 8"  |
|  | 1"        | 7 3/4"  |
|  | 1 1/2"    | 7 3/8"  |
|  | 2"        | 7"  |

**Product Specifications:**  
8" Adjustable Centers Deck Mount Mixing Faucet, Quarter-Turn Eterna Cartridges w/ Spring Checks, 6" Wrist Action Handles, 5 3/4" Rigid/Swivel Gooseneck w/ 2.2 GPM Aerator & 1/2" NPT Male Inlets and Pop-Up Drain

**Product Compliance:**  
ASME A112.18.1 / CSA B125.1  
NSF 61 - Section 9  
NSF 372 (Low Lead Content)  
ANSI A117.1 (ADA)



# T&S BRASS AND BRONZE WORKS, INC.

2 Saddleback Cove / P.O. Box 1088  
Travelers Rest, SC 29690

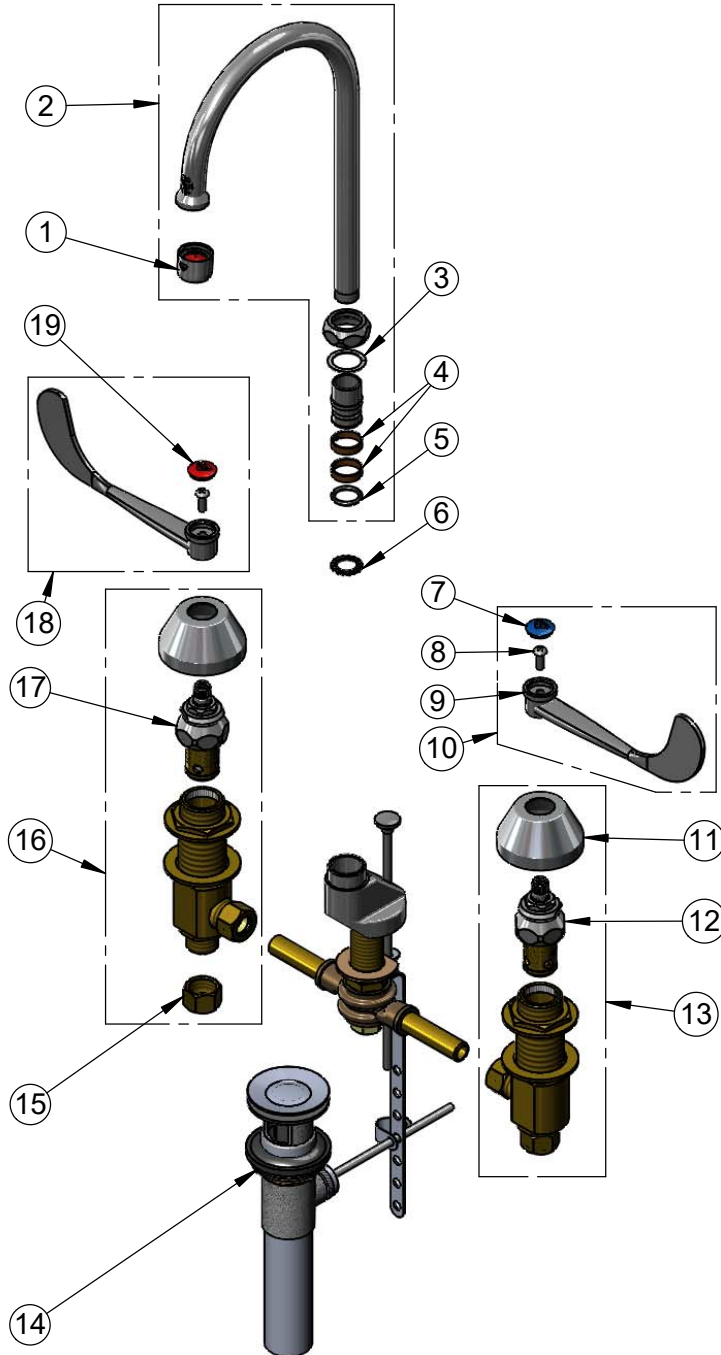
Model No.

**B-0869**

Item No.

Travelers Rest, SC: 800-476-4103 • Simi Valley, CA: 800-423-0150 • Fax: 864-834-3518 • www.tsbrass.com

| ITEM NO. | SALES NO.   | DESCRIPTION  |
|----------|-------------|--|
| 1        | B-0199-01   | 2.2 GPM Aerator, 55/64-27 UN Female                    |
| 2        | 133X-A22    | 5 3/4" Swivel Gooseneck w/ 2.2 GPM Aerator             |
| 3        | 009538-45   | Swivel Washer  |
| 4        | 011429-45   | Swivel Sleeves (2)                                     |
| 5        | 001074-45   | O-Ring   |
| 6        | 014200-45   | Star Washer, Anti-Rotation                             |
| 7        | 018506-19NS | Blue Button Index, Press-in                            |
| 8        | 000925-45   | Lab Handle Screw                                       |
| 9        | B-WH6       | 6" Wrist Action Handle                                 |
| 10       | B-WH6C-NS   | 6" Wrist Action Handle, Blue Index & Screw             |
| 11       | 001257-40NS | Bell Escutcheon  |
| 12       | 006477-40NS | CWS Quarter-Turn Eterna Cartridge w/ Spring Check, LTC |
| 13       | 161A-NS     | B-0850 New Style Side Body - Cold                      |
| 14       | B-0898      | Pop-Up Drain   |
| 15       | 000958-20   | Coupling Nut   |
| 16       | 162A-NS     | B-0850 New Style Side Body - Hot                       |
| 17       | 006478-40NS | CWS Quarter-Turn Eterna Cartridge w/ Spring Check, RTC |
| 18       | B-WH6H-NS   | 6" Wrist Action Handle, Red Index & Screw              |
| 19       | 001193-19NS | Red Button Index, Press-in                             |



**Product Specifications:**

8" Adjustable Centers Deck Mount Mixing Faucet, Quarter-Turn Eterna Cartridges w/ Spring Checks, 6" Wrist Action Handles, 5 3/4" Rigid/Swivel Gooseneck w/ 2.2 GPM Aerator & 1/2" NPT Male Inlets and Pop-Up Drain

**Product Compliance:**

ASME A112.18.1 / CSA B125.1  
NSF 61 - Section 9  
NSF 372 (Low Lead Content)  
ANSI A117.1 (ADA)