



T&S BRASS AND BRONZE WORKS, INC.

2 Saddleback Cove / P.O. Box 1088
Travelers Rest, SC 29690

Model No.
B-0867

Item No.

Travelers Rest, SC: 800-476-4103 • Simi Valley, CA: 800-423-0150 • Fax: 864-834-3518 • www.tsbrass.com



ADA Compliant

This Space for Architect/Engineer Approval

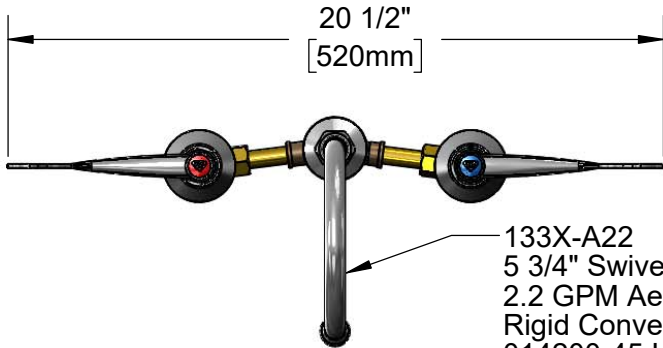
Job Name _____ Date _____

Model Specified _____ Quantity _____

Customer/Wholesaler _____

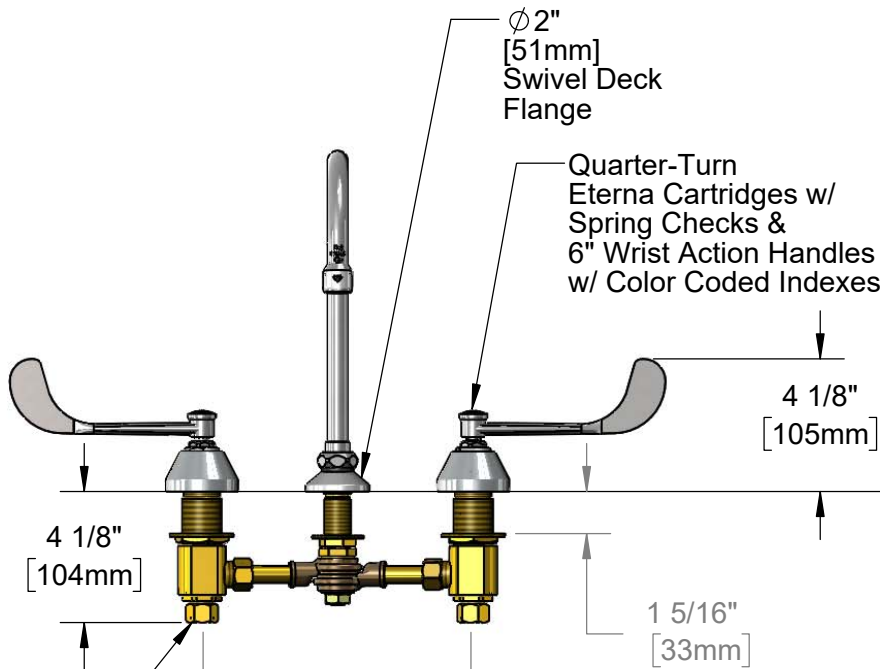
Contractor _____

Architect/Engineer _____



20 1/2"
[520mm]

133X-A22
5 3/4" Swivel Gooseneck w/
2.2 GPM Aerator.
Rigid Conversion Requires
014200-45 Lock Washer
(Included)



Ø 2"
[51mm]
Swivel Deck
Flange

Quarter-Turn
Eterna Cartridges w/
Spring Checks &
6" Wrist Action Handles
w/ Color Coded Indexes

4 1/8"
[104mm]

4 1/8"
[105mm]

10 11/16"
[271mm]

6 1/4"
[158mm]

5 3/4"
[145mm]

Mounting
Surface

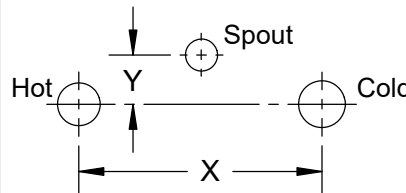
Ø 2 1/4"
[57mm]
Escutcheon

1 5/16"
[33mm]

Adjustable Centers
(See Chart Below)

1/2" NPT Male Inlets
w/ Coupling Nuts

Hot & Cold Center Sections
Can be at Angle



if "Y" is Then Faucet Will
Fit "X" with Standard
1/4" NPT Cross Pipes
Furnished

| | |
|--------|--------|
| 1/2" | 8" |
| 1" | 7 3/4" |
| 1 1/2" | 7 3/8" |
| 2" | 7" |

Rough-In Requirement:
Center Shank: Ø 1" [Ø 25mm] Mounting Hole
Hot/Cold Bodies: Ø 1 1/2" [Ø 38mm] Mounting Holes

Product Specifications:
8" Adjustable Centers Deck Mount Mixing Faucet, Quarter-Turn Eterna Cartridges w/ Spring Checks, 6" Wrist Action Handles, 5 3/4" Rigid/Swivel Gooseneck w/ 2.2 GPM Aerator & 1/2" NPT Male Inlets w/ Coupling Nuts

Product Compliance:
ASME A112.18.1 / CSA B125.1
NSF 61 - Section 9
NSF 372 (Low Lead Content)
ANSI A117.1 (ADA)



T&S BRASS AND BRONZE WORKS, INC.

2 Saddleback Cove / P.O. Box 1088
Travelers Rest, SC 29690

Model No.

B-0867

Item No.

Travelers Rest, SC: 800-476-4103 • Simi Valley, CA: 800-423-0150 • Fax: 864-834-3518 • www.tsbrass.com

| ITEM NO. | SALES NO. | DESCRIPTION |
|----------|-------------|--|
| 1 | B-0199-01 | 2.2 GPM Aerator, 55/64-27 UN Female |
| 2 | 133X-A22 | 5 3/4" Swivel Gooseneck w/ 2.2 GPM Aerator |
| 3 | 009538-45 | Swivel Washer |
| 4 | 011429-45 | Swivel Sleeves (2) |
| 5 | 001074-45 | O-Ring |
| 6 | 014200-45 | Star Washer, Anti-Rotation |
| 7 | 018506-19NS | Blue Button Index, Press-in |
| 8 | 000925-45 | Lab Handle Screw |
| 9 | B-WH6 | 6" Wrist Action Handle |
| 10 | B-WH6C-NS | 6" Wrist Action Handle, Blue Index & Screw |
| 11 | 161A-NS | B-0850 Side Body - Cold |
| 12 | 006477-40NS | CWS Quarter-Turn Eterna Cartridge w/ Spring Check, LTC |
| 13 | 006215-40NS | 8" Swivel Yoke w/ Swivel Flange Outlet |
| 14 | 000958-20 | Coupling Nut |
| 15 | 162A-NS | B-0850 Side Body - Hot |
| 16 | 006478-40NS | CWS Quarter-Turn Eterna Cartridge w/ Spring Check, RTC |
| 17 | 001257-40NS | Bell Escutcheon |
| 18 | B-WH6H-NS | 6" Wrist Action Handle, Red Index & Screw |
| 19 | 001193-19NS | Red Button Index, Press-in |

Product Specifications:
8" Adjustable Centers Deck Mount Mixing Faucet, Quarter-Turn Eterna Cartridges w/ Spring Checks, 6" Wrist Action Handles, 5 3/4" Rigid/Swivel Gooseneck w/ 2.2 GPM Aerator & 1/2" NPT Male Inlets w/ Coupling Nuts

Product Compliance:
ASME A112.18.1 / CSA B125.1
NSF 61 - Section 9
NSF 372 (Low Lead Content)
ANSI A117.1 (ADA)