



T&S BRASS AND BRONZE WORKS, INC.

2 Saddleback Cove / P.O. Box 1088
Travelers Rest, SC 29690

Model No.

B-0867-04-WS

Item No.

Travelers Rest, SC: 800-476-4103 • Simi Valley, CA: 800-423-0150 • Fax: 864-834-3518 • www.tsbrass.com



ADA Compliant

This Space for Architect/Engineer Approval

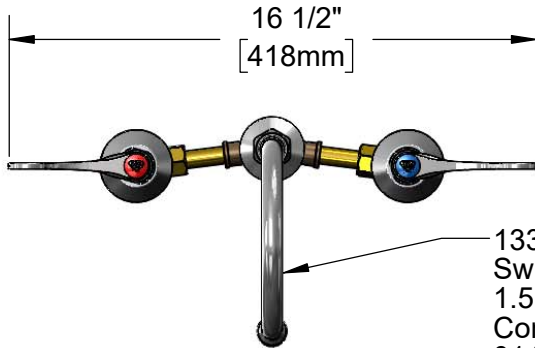
Job Name _____ Date _____

Model Specified _____ Quantity _____

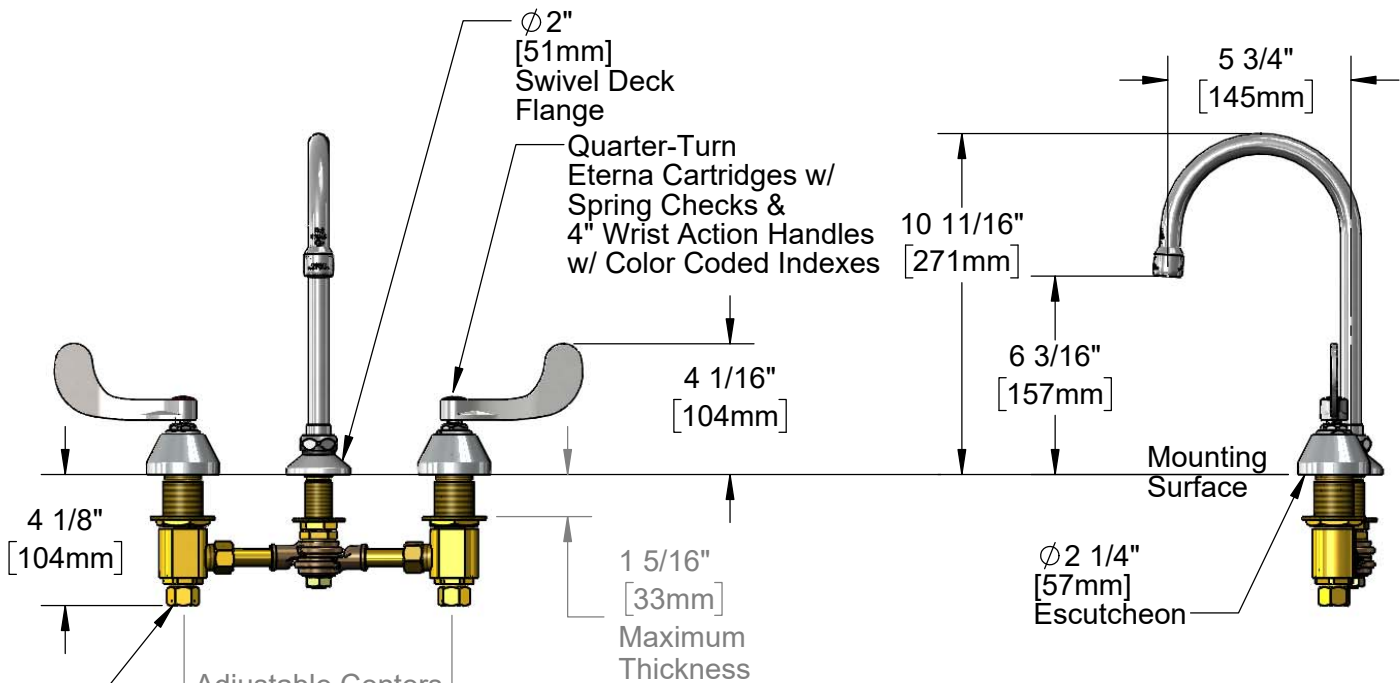
Customer/Wholesaler _____

Contractor _____

Architect/Engineer _____



133X-A15
Swivel Gooseneck w/
1.5 GPM Aerator.
Converts to Rigid w/
014200-45 Lock Washer
(Included)



Adjustable Centers
(See Chart Below)

1/2" NPT Male Inlets
w/ Coupling Nuts

| Hot & Cold Center Sections Can be at Angle | if "Y" is | Then Faucet Will Fit "X" with Standard 1/4" NPT Cross Pipes Furnished |
|---|-----------|--|
| | 1/2" | 8" |
| | 1" | 7 3/4" |
| | 1 1/2" | 7 3/8" |
| | 2" | 7" |

Rough-In Requirement:
Center Shank: ϕ 1" [ϕ 25mm] Mounting Hole
Hot/Cold Bodies: ϕ 1 1/2" [ϕ 38mm] Mounting Holes

Product Specifications:
8" Deck Mount Mixing Faucet, Quarter-Turn Eterna Cartridges w/ Spring Checks, 4" Wrist Action Handles, Rigid/Swivel Gooseneck w/ 1.5 GPM Aerator Outlet & 1/2" NPT Male Inlets w/ Coupling Nuts

Product Compliance:
ASME A112.18.1 / CSA B125.1
NSF 61 - Section 9
NSF 372 (Low Lead Content)
ANSI A117.1 (ADA)
EPA WaterSense



T&S BRASS AND BRONZE WORKS, INC.

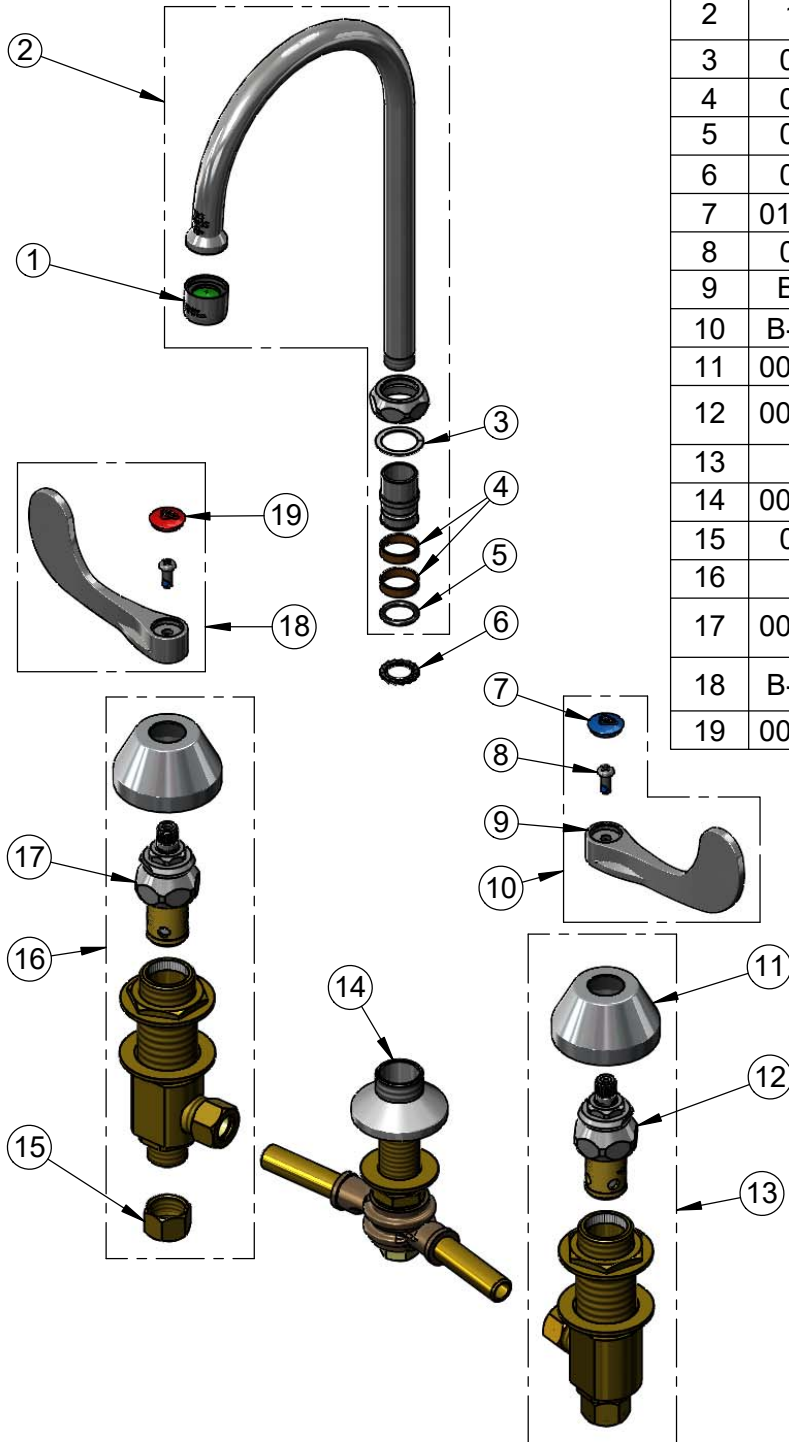
2 Saddleback Cove / P.O. Box 1088
Travelers Rest, SC 29690

Model No.

B-0867-04-WS

Item No.

Travelers Rest, SC: 800-476-4103 • Simi Valley, CA: 800-423-0150 • Fax: 864-834-3518 • www.tsbrass.com



| ITEM NO. | SALES NO. | DESCRIPTION |
|----------|--------------|--|
| 1 | B-0199-01-WS | 1.5 GPM Aerator, 55/64-27 Female |
| 2 | 133X-A15 | 5 3/4" Swivel Gooseneck w/ 1.5 GPM Aerator |
| 3 | 009538-45 | Swivel Washer |
| 4 | 011429-45 | Swivel Sleeves (2) |
| 5 | 001074-45 | O-Ring |
| 6 | 014200-45 | Star Washer, Anti-Rotation |
| 7 | 018506-19NS | Blue Button Index, Press-in |
| 8 | 000925-45 | Lab Handle Screw |
| 9 | B-WH4-NS | Wrist Action Handle - New Style |
| 10 | B-WH4C-NS | Lever Handle, Blue Index & Screw |
| 11 | 001257-40NS | Bell Escutcheon |
| 12 | 006477-40NS | CWS Quarter-Turn Eterna Cartridge w/ Spring Check, LTC |
| 13 | 161A-NS | B-0850 New Style Side Body - Cold |
| 14 | 006215-40NS | 8" Swivel Yoke w/ Swivel Flange Outlet |
| 15 | 000958-20 | Coupling Nut |
| 16 | 162A-NS | B-0850 New Style Side Body - Hot |
| 17 | 006478-40NS | CWS Quarter-Turn Eterna Cartridge w/ Spring Check, RTC |
| 18 | B-WH4H-NS | Wrist Action Handle, Red Index & Screw |
| 19 | 001193-19NS | Red Button Index, Press-in |

Product Specifications:
8" Deck Mount Mixing Faucet, Quarter-Turn Eterna Cartridges w/ Spring Checks, 4" Wrist Action Handles, Rigid/Swivel Gooseneck w/ 1.5 GPM Aerator Outlet & 1/2" NPT Male Inlets w/ Coupling Nuts

Product Compliance:
ASME A112.18.1 / CSA B125.1
NSF 61 - Section 9
NSF 372 (Low Lead Content)
ANSI A117.1 (ADA)
EPA WaterSense