



# T&S BRASS AND BRONZE WORKS, INC.

2 Saddleback Cove / P.O. Box 1088  
Travelers Rest, SC 29690

Model No.

**B-0866-04-CR**

Item No.

Travelers Rest, SC: 800-476-4103 • Simi Valley, CA: 800-423-0150 • Fax: 864-834-3518 • www.tsbrass.com



**ADA Compliant**

This Space for Architect/Engineer Approval

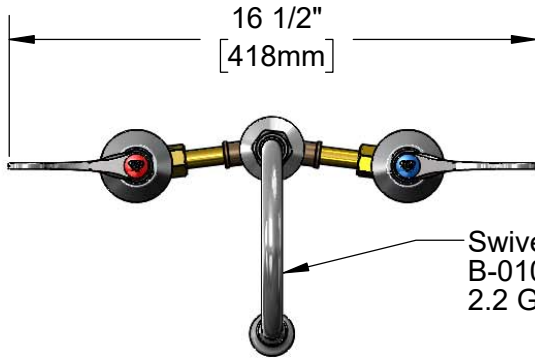
Job Name \_\_\_\_\_ Date \_\_\_\_\_

Model Specified \_\_\_\_\_ Quantity \_\_\_\_\_

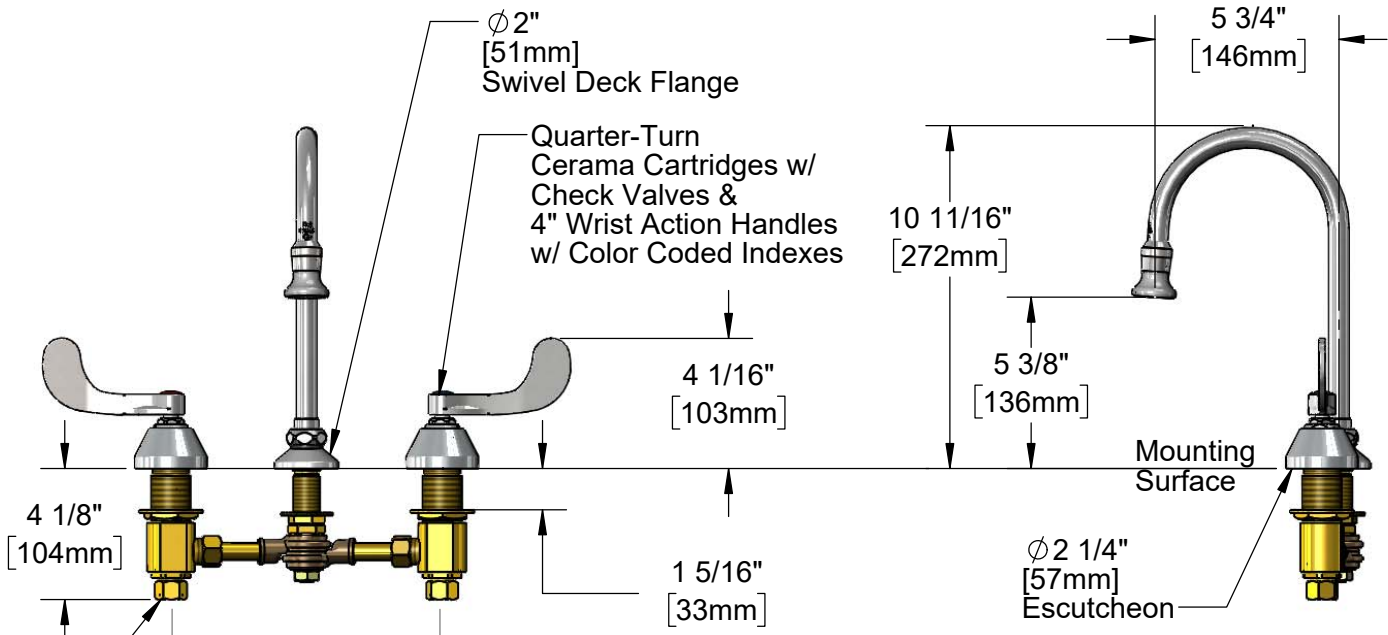
Customer/Wholesaler \_\_\_\_\_

Contractor \_\_\_\_\_

Architect/Engineer \_\_\_\_\_



Swivel/Rigid Gooseneck w/  
B-0103-01  
2.2 GPM Rosespray Outlet



Adjustable Centers  
(See Chart Below)

1/2" NPT Male Inlets  
w/ Coupling Nuts

| Hot & Cold Center Sections<br>Can be at Angle | if "Y" is | Then Faucet Will<br>Fit "X" with Standard<br>1/4" NPT Cross Pipes<br>Furnished |
|---|-----------|--|
|   | 1/2"      | 8"   |
|   | 1"        | 7 3/4"   |
|   | 1 1/2"    | 7 3/8"   |
|   | 2"        | 7"   |

**Rough-In Requirement:**  
Center Shank:  $\phi$  1" [ $\phi$  25mm] Mounting Hole  
Hot/Cold Bodies:  $\phi$  1 1/2" [ $\phi$  38mm] Mounting Holes

**Product Specifications:**  
8" Deck Mount Mixing Faucet, Quarter-Turn Cerama Cartridges w/ Check Valves, 4" Wrist Action Handles, Swivel/Rigid Gooseneck w/ 2.2 GPM Rosespray Outlet & 1/2" NPT Male Inlets w/ Coupling Nuts

**Product Compliance:**  
ASME A112.18.1 / CSA B125.1  
NSF 61 - Section 9  
NSF 372 (Low Lead Content)  
ANSI A117.1 (ADA)



# T&S BRASS AND BRONZE WORKS, INC.

2 Saddleback Cove / P.O. Box 1088  
Travelers Rest, SC 29690

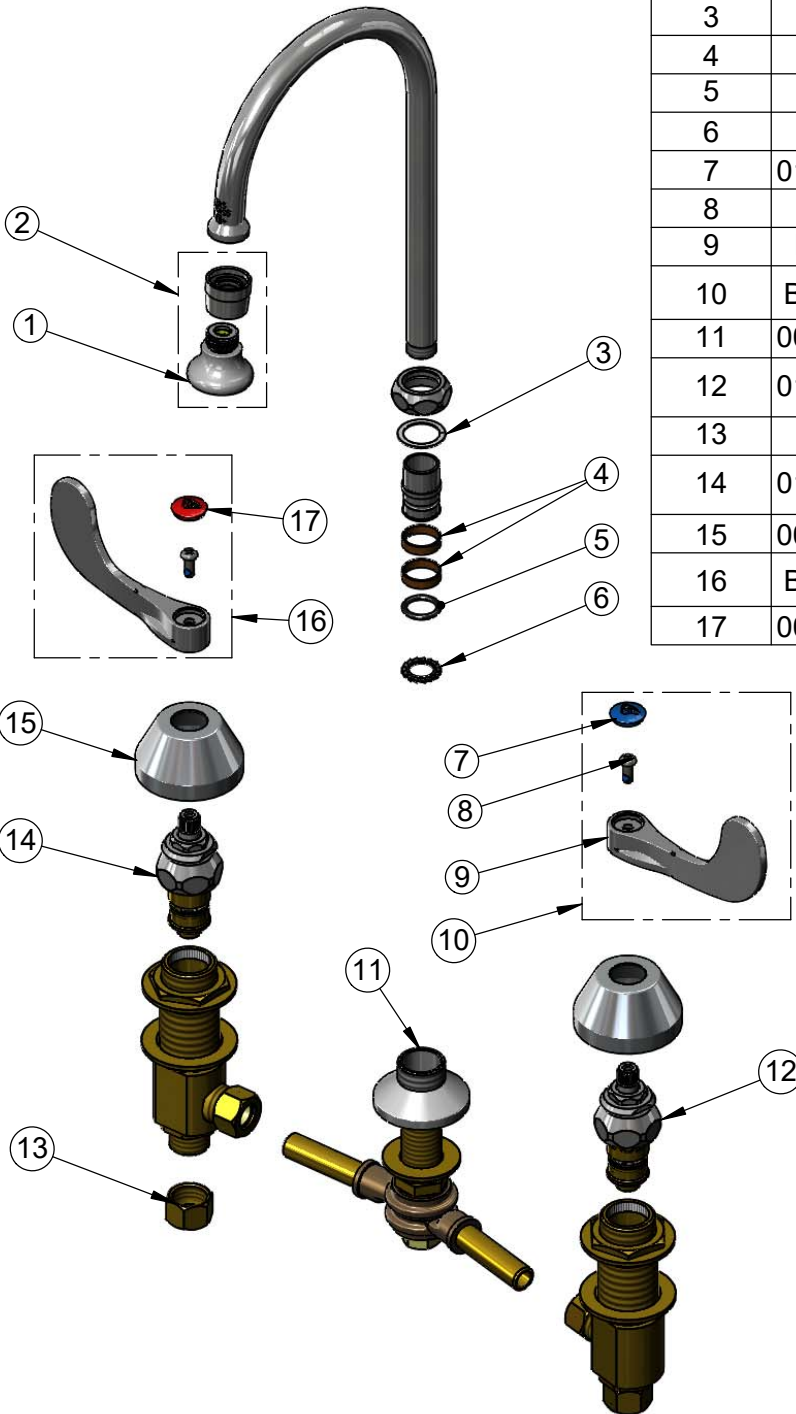
Model No.

**B-0866-04-CR**

Item No.

Travelers Rest, SC: 800-476-4103 • Simi Valley, CA: 800-423-0150 • Fax: 864-834-3518 • www.tsbrass.com

| ITEM NO. | SALES NO.   | DESCRIPTION   |
|----------|-------------|---|
| 1        | B-0103      | Full Flow Rosespray, 3/8-18 NPT Male                  |
| 2        | B-0103-01   | 2.2 GPM Rosespray Outlet w/ Adapter                   |
| 3        | 009538-45   | Swivel Washer   |
| 4        | 011429-45   | Swivel Sleeves (2)                                    |
| 5        | 001074-45   | O-Ring  |
| 6        | 014200-45   | Star Washer, Anti-Rotation                            |
| 7        | 018506-19NS | Blue Button Index, Press-in                           |
| 8        | 000925-45   | Lab Handle Screw                                      |
| 9        | B-WH4-NS    | Wrist Action Handle - New Style                       |
| 10       | B-WH4C-NS   | Wrist Action Handle, Blue Index & Screw               |
| 11       | 006215-40NS | 8" Swivel Yoke w/ Swivel Flange Outlet                |
| 12       | 011617-25NS | CWS Quarter-Turn Cerama Cartridge w/ Check Valve, LTC |
| 13       | 000958-20   | Coupling Nut  |
| 14       | 011616-25NS | CWS Quarter-Turn Cerama Cartridge w/ Check Valve, RTC |
| 15       | 001257-40NS | Bell Escutcheon                                       |
| 16       | B-WH4H-NS   | Wrist Action Handle, Red Index & Screw                |
| 17       | 001193-19NS | Red Button Index, Press-in                            |



**Product Specifications:**

8" Deck Mount Mixing Faucet, Quarter-Turn Cerama Cartridges w/ Check Valves, 4" Wrist Action Handles, Swivel/Rigid Gooseneck w/ 2.2 GPM Rosespray Outlet & 1/2" NPT Male Inlets w/ Coupling Nuts

**Product Compliance:**

ASME A112.18.1 / CSA B125.1  
NSF 61 - Section 9  
NSF 372 (Low Lead Content)  
ANSI A117.1 (ADA)