



T&S BRASS AND BRONZE WORKS, INC.

2 Saddleback Cove / P.O. Box 1088
Travelers Rest, SC 29690

Model No.

B-0865

Item No.

Travelers Rest, SC: 800-476-4103 • Simi Valley, CA: 800-423-0150 • Fax: 864-834-3518 • www.tsbrass.com



ADA Compliant

This Space for Architect/Engineer Approval

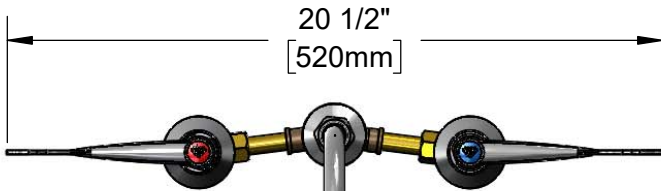
Job Name _____ Date _____

Model Specified _____ Quantity _____

Customer/Wholesaler _____

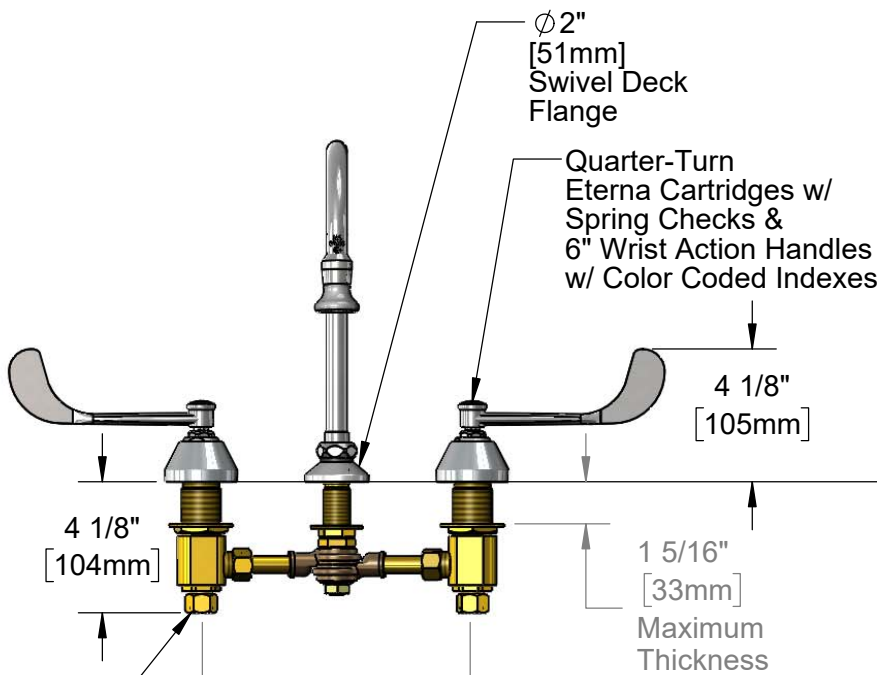
Contractor _____

Architect/Engineer _____



20 1/2"
[520mm]

Swivel Gooseneck w/
B-0103-01
2.2 GPM Rosespray Outlet.
Rigid Conversion Requires
014200-45 Lock Washer
(Included)



Ø 2"
[51mm]
Swivel Deck
Flange

Quarter-Turn
Eterna Cartridges w/
Spring Checks &
6" Wrist Action Handles
w/ Color Coded Indexes

4 1/8"
[105mm]

4 1/8"
[104mm]

1 5/16"
[33mm]
Maximum
Thickness

Adjustable Centers
(See Chart Below)

1/2" NPT Male Inlets
w/ Coupling Nuts

10 5/8"
[270mm]

5 13/16"
[147mm]

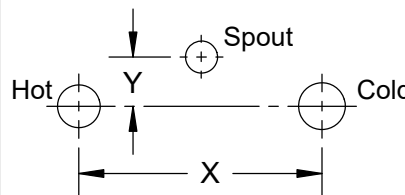
5 5/16"
[135mm]

Mounting
Surface

Ø 2 1/4"
[57mm]
Escutcheon

Rough-In Requirement:
Center Shank: Ø 1" [Ø 25mm] Mounting Hole
Hot/Cold Bodies: Ø 1 1/2" [Ø 38mm] Mounting Holes

Hot & Cold Center Sections
Can be at Angle



if "Y" is Then Faucet Will
Fit "X" with Standard
1/4" NPT Cross Pipes
Furnished

1/2"	8"
1"	7 3/4"
1 1/2"	7 3/8"
2"	7"

Product Specifications:
8" Adjustable Centers Deck Mount Mixing Faucet, Quarter-Turn Eterna
Cartridges w/ Spring Checks, 6" Wrist Action Handles, Swivel/Rigid
Gooseneck w/ 2.2 GPM Rosespray Outlet & 1/2" NPT Male Inlets w/
Coupling Nuts

Product Compliance:
ASME A112.18.1 / CSA B125.1
NSF 61 - Section 9
NSF 372 (Low Lead Content)
ANSI A117.1 (ADA)



T&S BRASS AND BRONZE WORKS, INC.
 2 Saddleback Cove / P.O. Box 1088
 Travelers Rest, SC 29690

Model No.
B-0865
 Item No.

Travelers Rest, SC: 800-476-4103 • Simi Valley, CA: 800-423-0150 • Fax: 864-834-3518 • www.tsbrass.com

ITEM NO.	SALES NO.	DESCRIPTION
1	B-0103	2.2 GPM Rosespray Outlet
2	B-0103-01	2.2 GPM Rosespray Outlet w/ Adapter
3	009538-45	Swivel Washer
4	011429-45	Swivel Sleeves (2)
5	001074-45	O-Ring
6	018506-19NS	Blue Button Index, Press-in
7	000925-45	Lab Handle Screw
8	B-WH6	6" Wrist Action Handle
9	B-WH6C-NS	6" Wrist Action Handle, Blue Index & Screw
10	006477-40NS	CWS Quarter-Turn Eterna Cartridge w/ Spring Check, LTC
11	161A-NS	B-0850 Side Body - Cold
12	006215-40NS	8" Swivel Yoke w/ Swivel Flange Outlet
13	000958-20	Coupling Nut
14	162A-NS	B-0850 Side Body - Hot
15	006478-40NS	CWS Quarter-Turn Eterna Cartridge w/ Spring Check, RTC
16	001257-40NS	Bell Escutcheon
17	B-WH6H-NS	6" Wrist Action Handle, Red Index & Screw
18	001193-19NS	Red Button Index, Press-in

Product Specifications:
 8" Adjustable Centers Deck Mount Mixing Faucet, Quarter-Turn Eterna Cartridges w/ Spring Checks, 6" Wrist Action Handles, Swivel/Rigid Gooseneck w/ 2.2 GPM Rosespray Outlet & 1/2" NPT Male Inlets w/ Coupling Nuts

Product Compliance:
 ASME A112.18.1 / CSA B125.1
 NSF 61 - Section 9
 NSF 372 (Low Lead Content)
 ANSI A117.1 (ADA)