



**T&S BRASS AND BRONZE WORKS, INC.**

2 Saddleback Cove / P.O. Box 1088  
Travelers Rest, SC 29690

Model No.

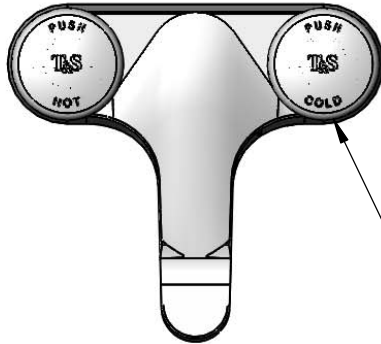
**B-0831-F05**

Item No.

Travelers Rest, SC: 800-476-4103 • Simi Valley, CA: 800-423-0150 • Fax: 864-834-3518 • www.tsbrass.com



**ADA Compliant**



Push Button  
Metering Cartridges  
w/ Hot & Cold Handles and  
Vandal Resistant Screws

This Space for Architect/Engineer Approval

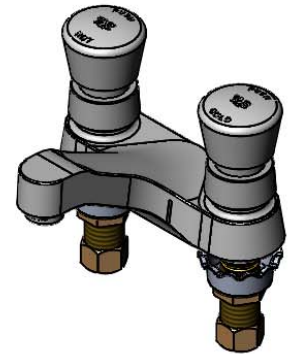
Job Name \_\_\_\_\_ Date \_\_\_\_\_

Model Specified \_\_\_\_\_ Quantity \_\_\_\_\_

Customer/Wholesaler \_\_\_\_\_

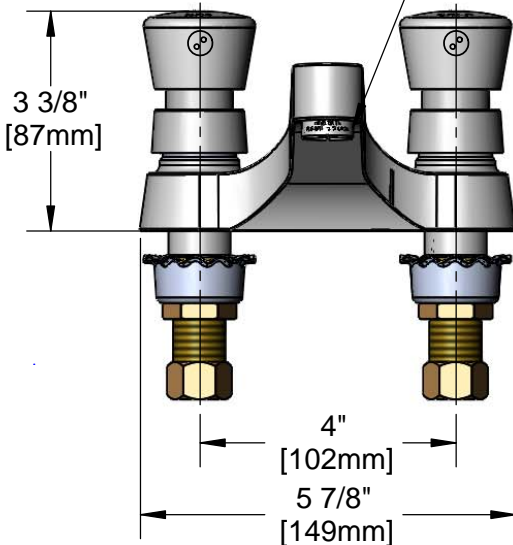
Contractor \_\_\_\_\_

Architect/Engineer \_\_\_\_\_

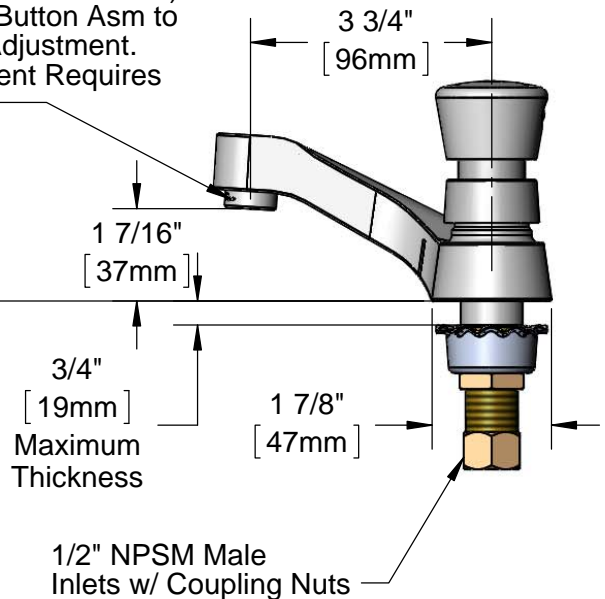


B-0199-03-N05  
0.5 GPM  
Non-Aerated  
Spray Device

Vandal Resistant Screw.  
Loosen Screw (Do Not Remove)  
and Pull Off Push Button Asm to  
Access Metering Adjustment.  
(Metering Adjustment Requires  
3/32" Hex Key)



Mounting  
Surface



1/2" NPSM Male  
Inlets w/ Coupling Nuts

Rough-In Requirement:  
Ø 1 1/8" [Ø 29mm] Mounting Holes

Furnished w/ Spanner  
Bit for Vandal Resistant Screw



Product Specifications:

4" Centerset Deck Mount Mixing Faucet, Push Button Metering Cartridges, 0.5 GPM Non-Aerated Spray Device and 1/2" NPSM Male Inlets w/ Coupling Nuts

Product Compliance:

ASME A112.18.1 / CSA B125.1  
NSF 61 - Section 9  
NSF 372 (Low Lead Content)  
ANSI A117.1 (ADA)



**T&S BRASS AND BRONZE WORKS, INC.**  
 2 Saddleback Cove / P.O. Box 1088  
 Travelers Rest, SC 29690

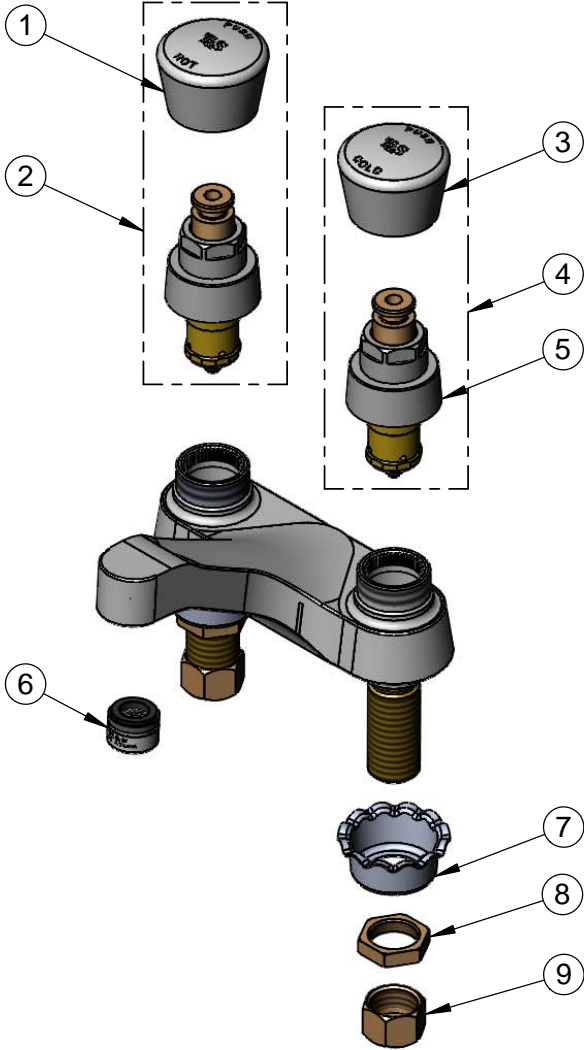
Model No.

**B-0831-F05**

Item No.

Travelers Rest, SC: 800-476-4103 • Simi Valley, CA: 800-423-0150 • Fax: 864-834-3518 • www.tsbrass.com

ITEM NO.	SALES NO.	DESCRIPTION
1	014194-40	Hot Cap Assembly
2	238AH	Metering Cartridge w/ Hot Push Button Cap & Spanner Bit
3	014195-40	Cold Cap
4	238AC	Metering Cartridge w/ Cold Push Button Cap & Spanner Bit
5	238A	Push Button Metering Cartridge
6	B-0199-03-N05	0.5 GPM Non-Aerated Spray Device, 13/16-27 Male
7	001000-45	Rosette Washer
8	002954-45	Shank Lock Nut
9	000958-20	Coupling Nut



Spanner Bit for  
 Vandal Resistant Screw  
 014734-45

Product Specifications:  
 4" Centerset Deck Mount Mixing Faucet, Push Button Metering Cartridges, 0.5 GPM Non-Aerated Spray Device and 1/2" NPSM Male Inlets w/ Coupling Nuts

Product Compliance:  
 ASME A112.18.1 / CSA B125.1  
 NSF 61 - Section 9  
 NSF 372 (Low Lead Content)  
 ANSI A117.1 (ADA)