



**T&S BRASS AND BRONZE WORKS, INC.**  
 2 Saddleback Cove / P.O. Box 1088  
 Travelers Rest, SC 29690

Model No.  
**B-0722**

Item No.

Travelers Rest, SC: 800-476-4103 • Simi Valley, CA: 800-423-0150 • Fax: 864-834-3518 • www.tsbrass.com

This Space for Architect/Engineer Approval

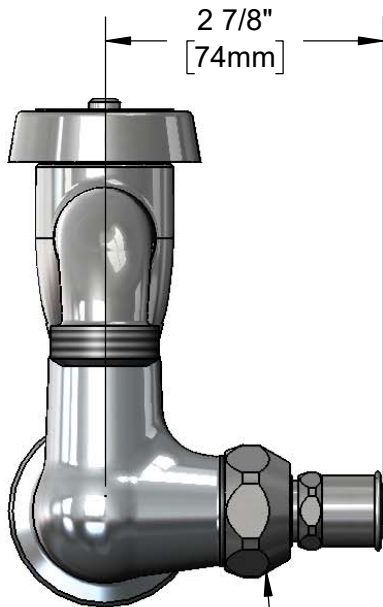
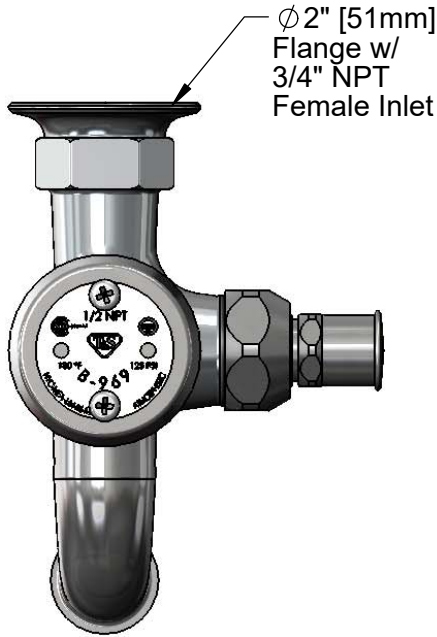
Job Name \_\_\_\_\_ Date \_\_\_\_\_

Model Specified \_\_\_\_\_ Quantity \_\_\_\_\_

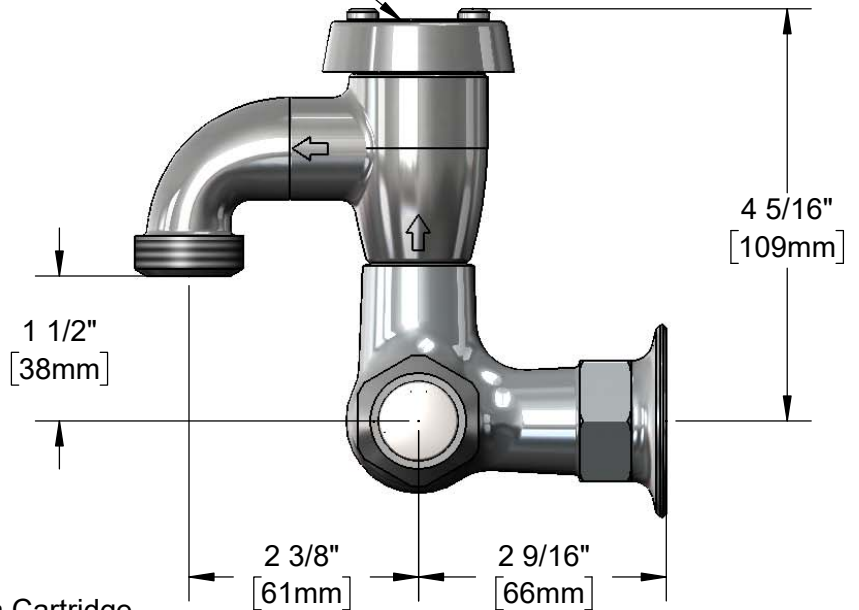
Customer/Wholesaler \_\_\_\_\_

Contractor \_\_\_\_\_

Architect/Engineer \_\_\_\_\_



B-0969  
 1/2" NPT Vacuum  
 Breaker



Quarter-Turn Eterna Cartridge  
 w/ Spring Check &  
 Loose Key Stop

Product Specifications:

Single Hole Single Temperature Wall Mount Sill Faucet, Quarter-Turn Eterna Cartridge w/ Spring Check, Loose Key Stop, Vacuum Breaker, Spout w/ Garden Hose Male Outlet, Polished Chrome Finish & 3/4" NPT Female Inlet

Product Compliance:

ASME A112.18.1 / CSA B125.1  
 NSF 61 - Section 9  
 NSF 372 (Low Lead Content)  
 ASSE 1001 (VB)



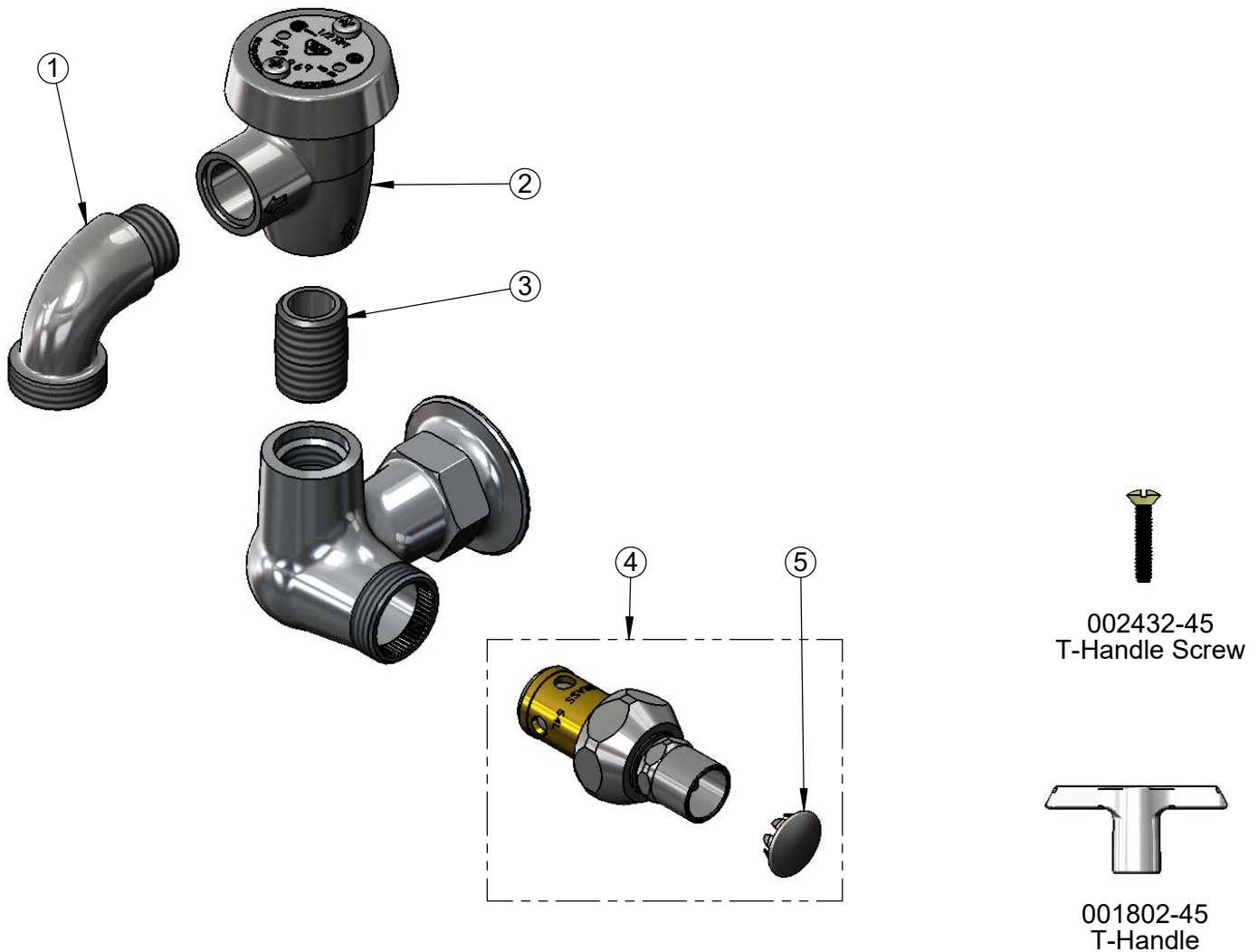
**T&S BRASS AND BRONZE WORKS, INC.**  
 2 Saddleback Cove / P.O. Box 1088  
 Travelers Rest, SC 29690

Model No.  
**B-0722**

Item No.

Travelers Rest, SC: 800-476-4103 • Simi Valley, CA: 800-423-0150 • Fax: 864-834-3518 • www.tsbrass.com

ITEM NO.	SALES NO.	DESCRIPTION
1	001618-40	Spout, Short
2	B-0969	1/2" NPT Vacuum Breaker
3	002534-25	Close Nipple, 1/2" NPT
4	124A	Loose Key Stop Cartridge, RTC w/ T-Handle, Screw & Cap
5	001605-45	Cap



**Product Specifications:**  
 Single Hole Single Temperature Wall Mount Sill Faucet, Quarter-Turn Eterna Cartridge w/ Spring Check, Loose Key Stop, Vacuum Breaker, Spout w/ Garden Hose Male Outlet, Polished Chrome Finish & 3/4" NPT Female Inlet

**Product Compliance:**  
 ASME A112.18.1 / CSA B125.1  
 NSF 61 - Section 9  
 NSF 372 (Low Lead Content)  
 ASSE 1001 (VB)