



T&S BRASS AND BRONZE WORKS, INC.
 2 Saddleback Cove / P.O. Box 1088
 Travelers Rest, SC 29690

Model No.
B-0712-WS

Item No.

Travelers Rest, SC: 800-476-4103 • Simi Valley, CA: 800-423-0150 • Fax: 864-834-3518 • www.tsbrass.com



ADA Compliant

This Space for Architect/Engineer Approval

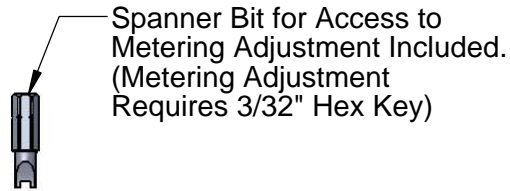
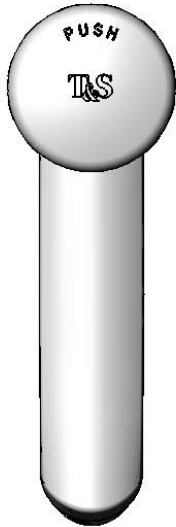
Job Name _____ Date _____

Model Specified _____ Quantity _____

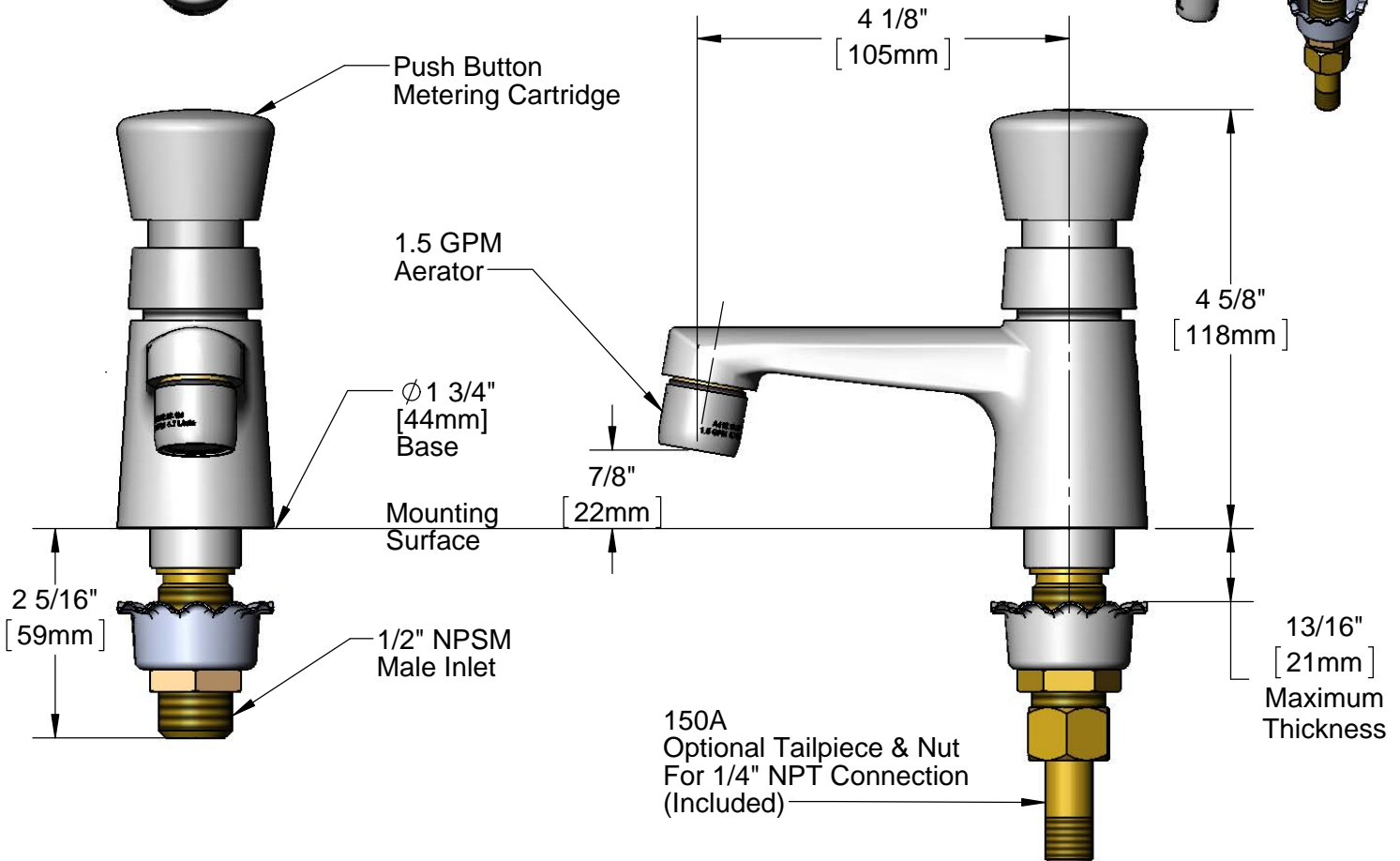
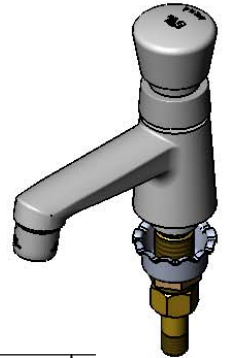
Customer/Wholesaler _____

Contractor _____

Architect/Engineer _____



Spanner Bit for Access to Metering Adjustment Included.
 (Metering Adjustment Requires 3/32" Hex Key)



Rough-In Requirement:
 Ø 1 1/8" [29mm] Mounting Hole

Product Specifications:
 Single Hole Single Temperature Deck Mount Basin Faucet, Push Button Metering Cartridge, 1.5 GPM Aerator & 1/2" NPSM Male Inlet

Product Compliance:
 ASME A112.18.1 / CSA B125.1
 NSF 61 - Section 9
 NSF 372 (Low Lead Content)
 ANSI A117.1 (ADA)
 EPA WaterSense



T&S BRASS AND BRONZE WORKS, INC.

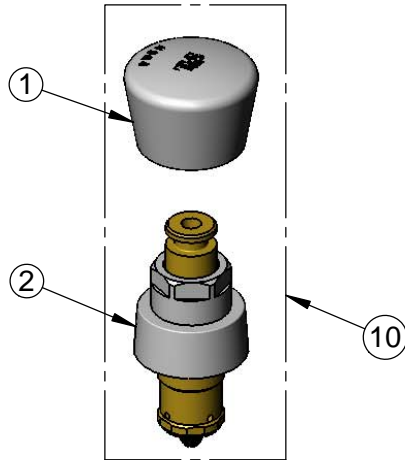
2 Saddleback Cove / P.O. Box 1088
Travelers Rest, SC 29690

Model No.

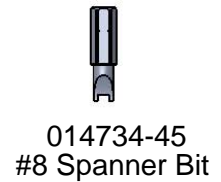
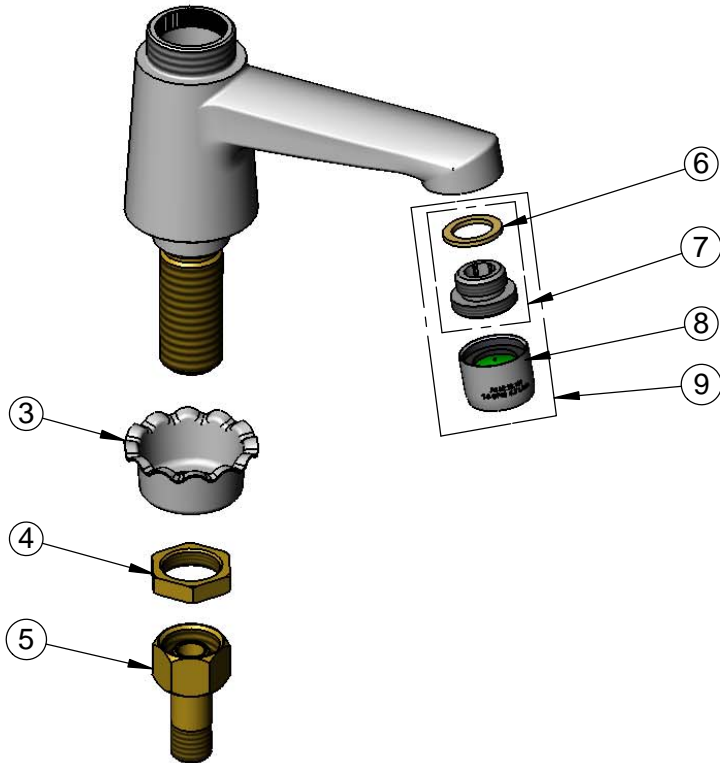
B-0712-WS

Item No.

Travelers Rest, SC: 800-476-4103 • Simi Valley, CA: 800-423-0150 • Fax: 864-834-3518 • www.tsbrass.com



ITEM NO.	SALES NO.	DESCRIPTION
1	014193-40	Blank Push Button Cap w/ Spanner Bit
2	238A	Push Button Metering Cartridge
3	001000-45	Rosette Washer
4	002954-45	Shank Lock Nut
5	150A	1/4" NPT Tailpiece & Nut
6	001043-45	Washer
7	044A	3/8" to Aerator Adapter w/ Washer
8	B-0199-01-WS	1.5 GPM Aerator, 55/64-27 UN Female
9	B-0199-02-WS	1.5 GPM Aerator, 3/8" NPSM Male
10	238AB	Metering Cartridge w/ Blank Push Button Cap & Spanner Bit



Product Specifications:

Single Hole Single Temperature Deck Mount Basin Faucet, Push Button Metering Cartridge, 1.5 GPM Aerator & 1/2" NPSM Male Inlet

Product Compliance:

ASME A112.18.1 / CSA B125.1
NSF 61 - Section 9
NSF 372 (Low Lead Content)
ANSI A117.1 (ADA)
EPA WaterSense