



T&S BRASS AND BRONZE WORKS, INC.

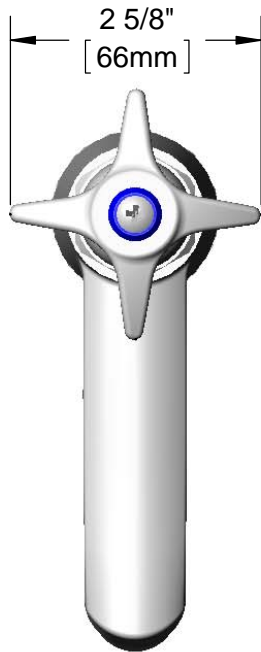
2 Saddleback Cove / P.O. Box 1088
Travelers Rest, SC 29690

Model No.

B-0710-WS

Item No.

Travelers Rest, SC: 800-476-4103 • Simi Valley, CA: 800-423-0150 • Fax: 864-834-3518 • www.tsbrass.com



ADA Compliant



This Space for Architect/Engineer Approval

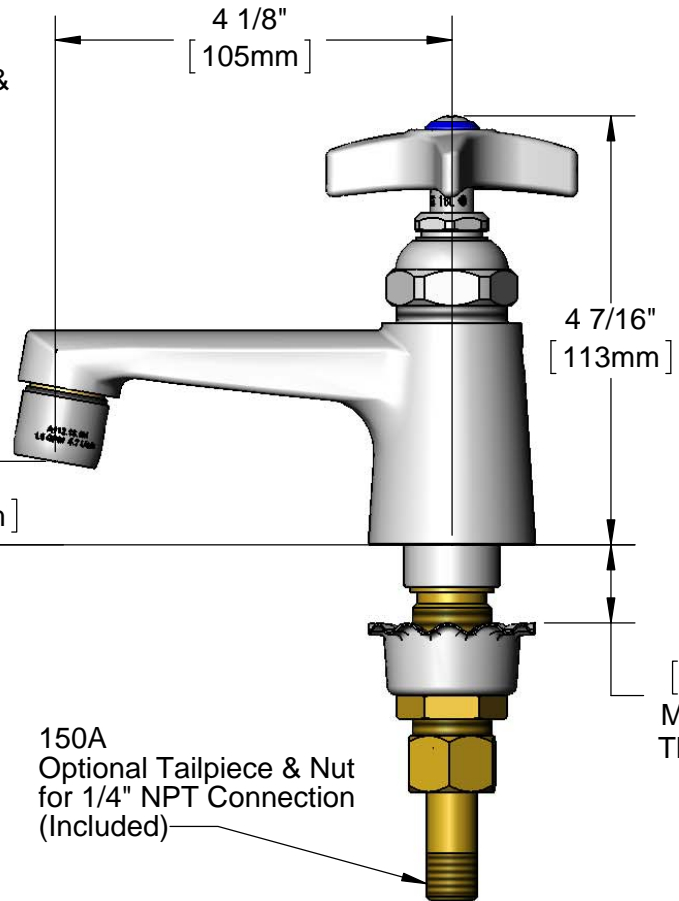
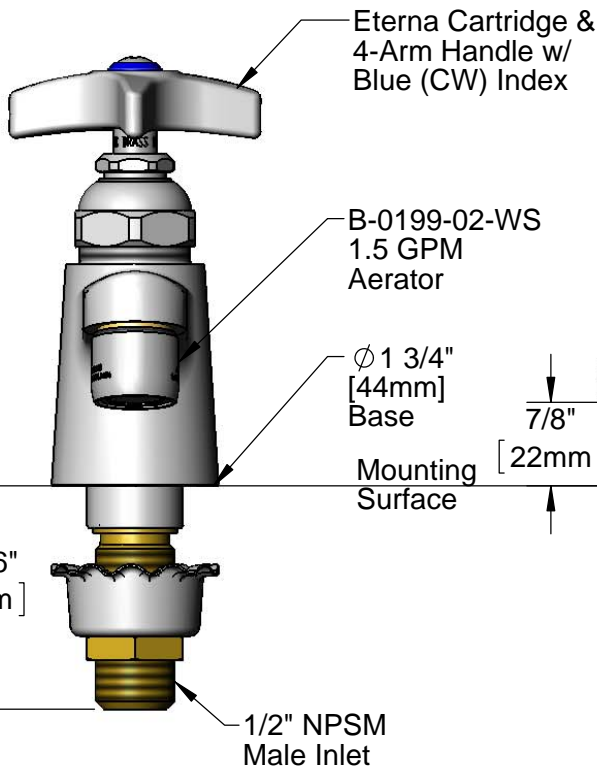
Job Name _____ Date _____

Model Specified _____ Quantity _____

Customer/Wholesaler _____

Contractor _____

Architect/Engineer _____



Rough-In Requirement:
Ø 1 1/8" [29mm] Mounting Hole

Product Specifications:
Single Hole Single Temperature Deck Mount Basin Faucet, Eterna Cartridge, 4-Arm Handle, 1.5 GPM Aerator & 1/2" NPSM Male Inlet

Product Compliance:
ASME A112.18.1 / CSA B125.1
NSF 61 - Section 9
NSF 372 (Low Lead Content)
EPA WaterSense
ANSI A117.1 (ADA)

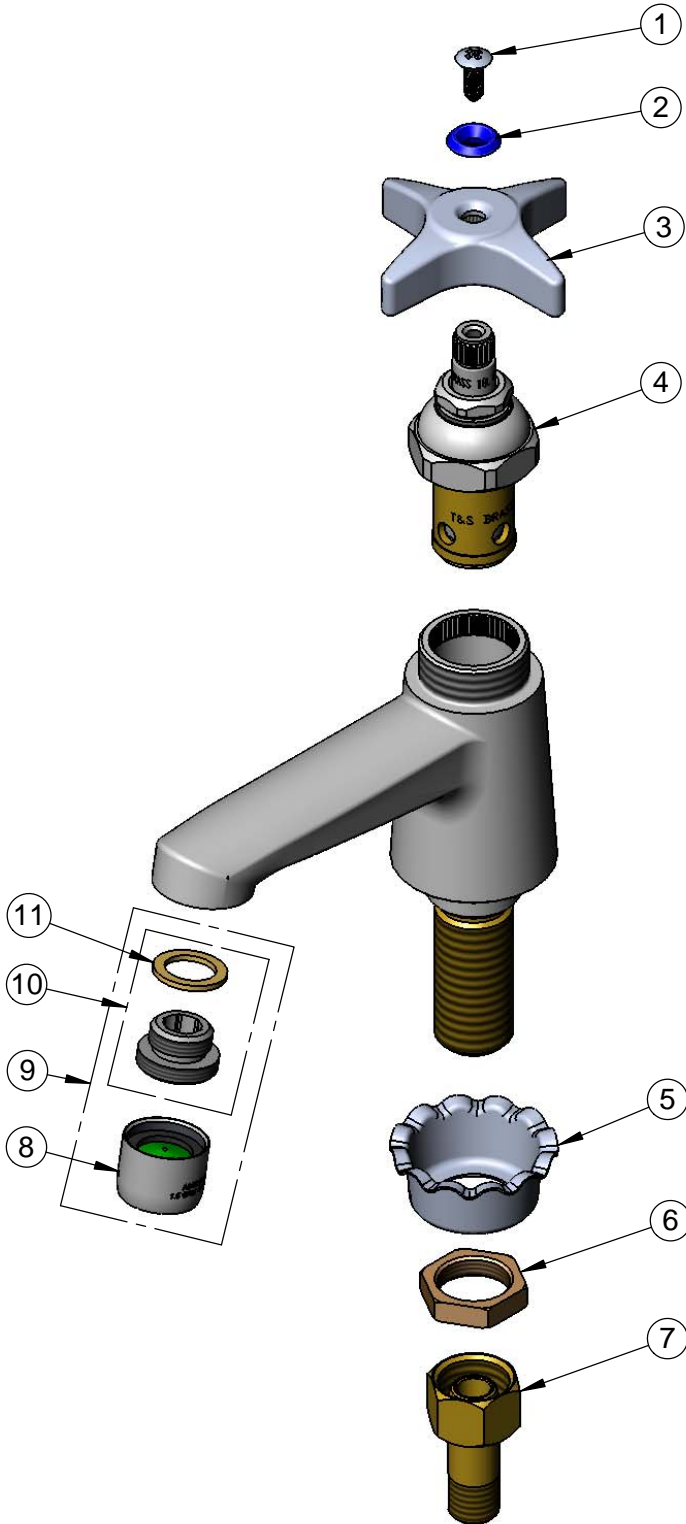


T&S BRASS AND BRONZE WORKS, INC.
 2 Saddleback Cove / P.O. Box 1088
 Travelers Rest, SC 29690

Model No.
B-0710-WS
 Item No.

Travelers Rest, SC: 800-476-4103 • Simi Valley, CA: 800-423-0150 • Fax: 864-834-3518 • www.tsbrass.com

| ITEM NO. | SALES NO. | DESCRIPTION |
|----------|--------------|--------------------------------------|
| 1 | 000922-45 | Lever Handle Screw |
| 2 | 001660-45 | Blue Index-CW |
| 3 | 002521-45 | 4-Arm Handle |
| 4 | 005960-40 | Eterna Cartridge, RTC |
| 5 | 001000-45 | Rosette Washer |
| 6 | 002954-45 | Shank Lock Nut |
| 7 | 150A | 1/4" NPT Tailpiece & Nut |
| 8 | B-0199-01-WS | 1.5 GPM Aerator, 55/64"-27 UN Female |
| 9 | B-0199-02-WS | 1.5 GPM Aerator, 3/8" NPSM Male |
| 10 | 044A | 3/8" to Aerator Adapter w/ Washer |
| 11 | 001043-45 | Washer |



Product Specifications:
 Single Hole Single Temperature Deck Mount Basin Faucet, Eterna Cartridge, 4-Arm Handle, 1.5 GPM Aerator & 1/2" NPSM Male Inlet

Product Compliance:
 ASME A112.18.1 / CSA B125.1
 NSF 61 - Section 9
 NSF 372 (Low Lead Content)
 EPA WaterSense
 ANSI A117.1 (ADA)