



**T&S BRASS AND BRONZE WORKS, INC.**  
 2 Saddleback Cove / P.O. Box 1088  
 Travelers Rest, SC 29690

Model No.  
**B-0700-LT-CR-K**

Item No.

Travelers Rest, SC: 800-476-4103 • Simi Valley, CA: 800-423-0150 • Fax: 864-834-3518 • www.tsbrass.com



**ADA Compliant**

This Space for Architect/Engineer Approval

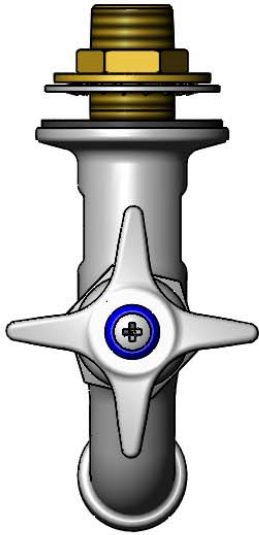
Job Name \_\_\_\_\_ Date \_\_\_\_\_

Model Specified \_\_\_\_\_ Quantity \_\_\_\_\_

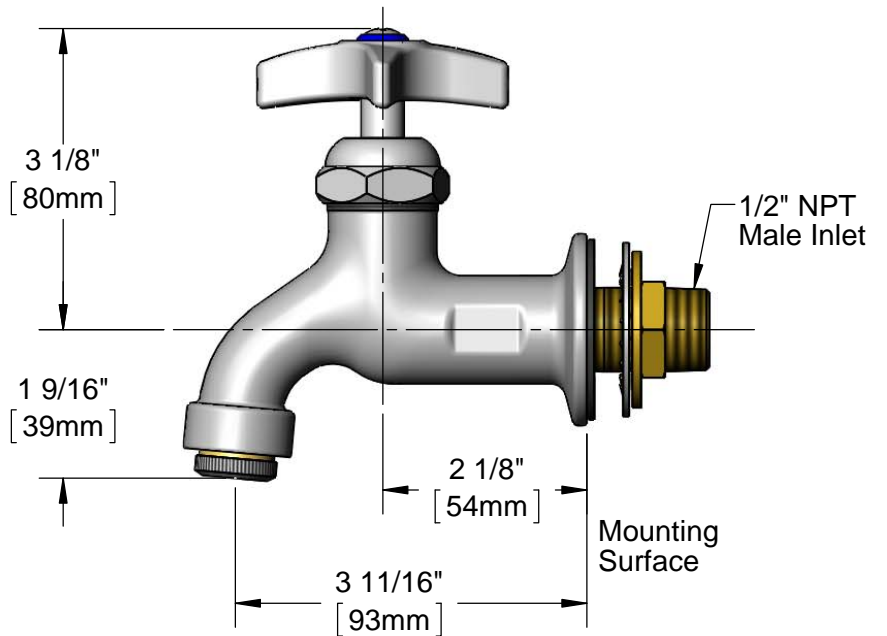
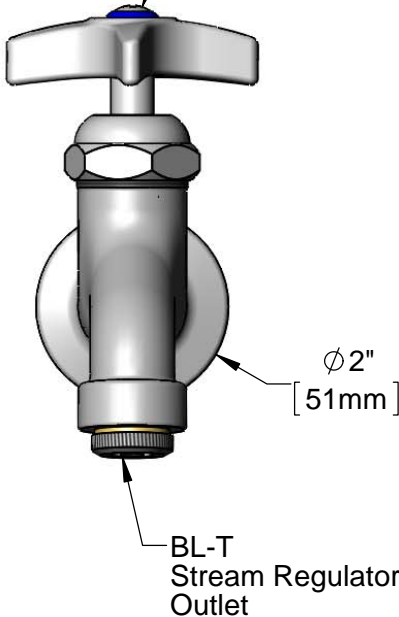
Customer/Wholesaler \_\_\_\_\_

Contractor \_\_\_\_\_

Architect/Engineer \_\_\_\_\_



Quarter-Turn  
 Cerama Cartridge  
 w/ 4-Arm Handle  
 and Blue Color  
 Coded Index



Rough-In Requirement:  
 Ø 1" [25mm] Mounting Hole

Product Specifications:  
 Single Sink Wall Mount Faucet, Quarter-Turn Cerama Cartridge, 4-Arm  
 Handle, Blue Color Coded Index, Stream Regulator Outlet and 1/2 NPT  
 Male Installation Kit

Product Compliance:  
 ASME A112.18.1 / CSA B125.1  
 NSF 61 - Section 9  
 NSF 372 (Low Lead Content)  
 ANSI A117.1 (ADA)



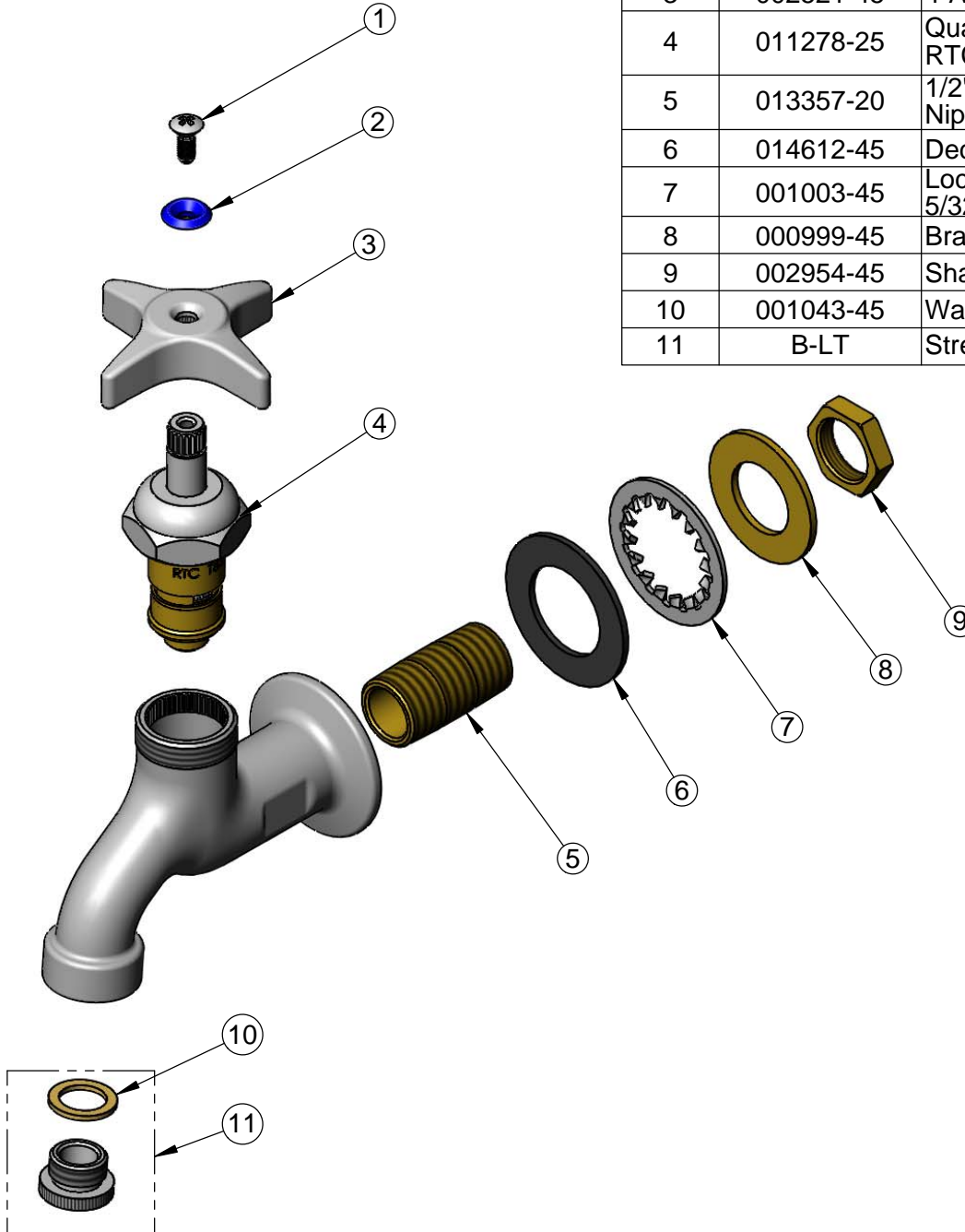
**T&S BRASS AND BRONZE WORKS, INC.**  
 2 Saddleback Cove / P.O. Box 1088  
 Travelers Rest, SC 29690

Model No.  
**B-0700-LT-CR-K**

Item No.

Travelers Rest, SC: 800-476-4103 • Simi Valley, CA: 800-423-0150 • Fax: 864-834-3518 • www.tsbrass.com

ITEM NO.	SALES NO.	DESCRIPTION
1	000922-45	Lever Handle Screw
2	001660-45	Blue Index-CW
3	002521-45	4-Arm Handle
4	011278-25	Quarter-Turn Cerama Cartridge, RTC
5	013357-20	1/2" NPT x 1 5/8" Lg. Close Nipple
6	014612-45	Deck Seal
7	001003-45	Lock Washer, Int. Tooth, 1 5/32" ID
8	000999-45	Brass Lock Washer
9	002954-45	Shank Lock Nut
10	001043-45	Washer
11	B-LT	Stream Regulator Outlet



Product Specifications:  
 Single Sink Wall Mount Faucet, Quarter-Turn Cerama Cartridge, 4-Arm Handle, Blue Color Coded Index, Stream Regulator Outlet and 1/2 NPT Male Installation Kit

Product Compliance:  
 ASME A112.18.1 / CSA B125.1  
 NSF 61 - Section 9  
 NSF 372 (Low Lead Content)  
 ANSI A117.1 (ADA)