



T&S BRASS AND BRONZE WORKS, INC.
 2 Saddleback Cove / P.O. Box 1088
 Travelers Rest, SC 29690

Model No.
B-0697-ST

Item No.

Travelers Rest, SC: 800-476-4103 • Simi Valley, CA: 800-423-0150 • Fax: 864-834-3518 • www.tsbrass.com



ADA Compliant

This Space for Architect/Engineer Approval

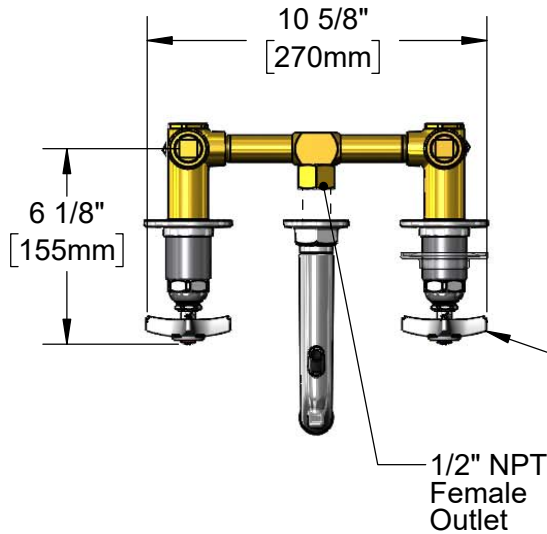
Job Name _____ Date _____

Model Specified _____ Quantity _____

Customer/Wholesaler _____

Contractor _____

Architect/Engineer _____



Upper Wall Support Rod w/ Wall Bracket & Mounting Screws

Mounting Surface

3 1/4" [83mm]
 Maximum

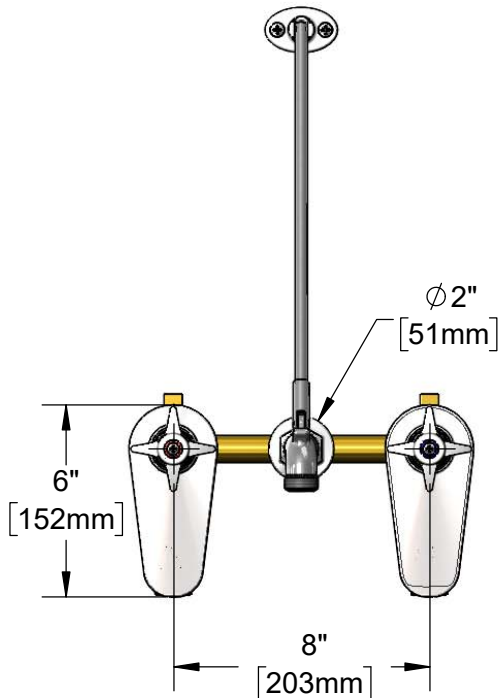
2 1/2" [64mm]
 Minimum

1/2" NPT Plugs

Loose Key Stops Behind Flanges

1/2" NPT Female Inlets

Pail Hook Spout w/ Garden Hose Male Outlet



6 3/16" [156mm]

Rough-In Requirement:
 Ø 1 1/2" [38mm] Mounting Holes

Product Specifications:
 8" Wall Mount Concealed Mixing Valve, Quarter-Turn Eterna Cartridges w/ Spring Checks, Loose Key Stops, 4-Arm Handles, Spout w/ Pail Hook & Male Garden Hose Outlet, Upper Support Rod & 1/2" Female Inlets

Product Compliance:
 ASME A112.18.1 / CSA B125.1
 NSF 61 - Section 9
 NSF 372 (Low Lead Content)
 ANSI A117.1 (ADA)



T&S BRASS AND BRONZE WORKS, INC.

2 Saddleback Cove / P.O. Box 1088
Travelers Rest, SC 29690

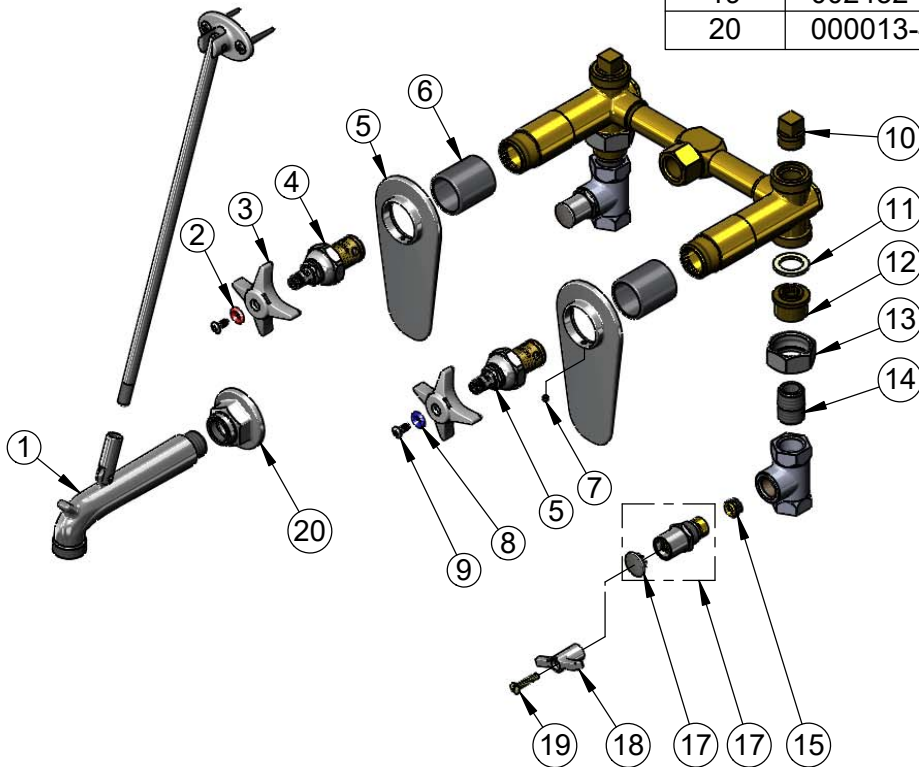
Model No.

B-0697-ST

Item No.

Travelers Rest, SC: 800-476-4103 • Simi Valley, CA: 800-423-0150 • Fax: 864-834-3518 • www.tsbrass.com

ITEM NO.	SALES NO.	DESCRIPTION
1	009545-40	Nozze w/ Clevis - Polished Chrome
2	001661-45	Red Index-HW
3	002521-45	4-Arm Handle
4	012443-40	Quarter-Turn Eterna Cartridge w/ Spring Check, RTC
5	002820-40	Tear-Drop Escutcheon
6	151F	Escutcheon Tube
7	000939-45	Escutcheon, Set Screw
8	001660-45	Blue Index-CW
9	000922-45	Lever Handle Screw
10	001347-20	1/2" NPT Square Head Plug
11	001019-45	Coupling Nut Washer
12	153F	Union Half, 1/2 NPT w/ Washer
13	000721-25	Flange Coupling Nut
14	002534-25	Close Nipple, 1/2" NPT
15	000763-20	Seat
16	02892-40	Stop Spindle w/ Cap
17	001605-45	Cap
18	001802-45	Handle, Supply Stop "T"
19	002432-45	Screw, Tee Handle
20	000013-40	Flange, 1/2" NPT Wall Mount



Product Specifications:

8" Wall Mount Concealed Mixing Valve, Quarter-Turn Eterna Cartridges w/ Spring Checks, Loose Key Stops, 4-Arm Handles, Spout w/ Pail Hook & Male Garden Hose Outlet, Upper Support Rod & 1/2" Female Inlets

Product Compliance:

ASME A112.18.1 / CSA B125.1
NSF 61 - Section 9
NSF 372 (Low Lead Content)
ANSI A117.1 (ADA)