



T&S BRASS AND BRONZE WORKS, INC.

2 Saddleback Cove / P.O. Box 1088
Travelers Rest, SC 29690

Model No.

B-0682-ST

Item No.

Travelers Rest, SC: 800-476-4103 • Simi Valley, CA: 800-423-0150 • Fax: 864-834-3518 • www.tsbrass.com

This Space for Architect/Engineer Approval

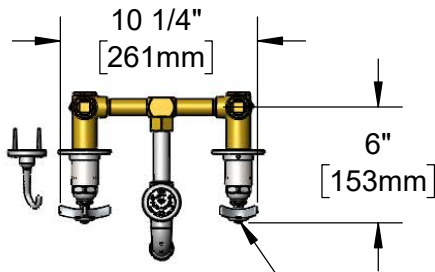
Job Name _____ Date _____

Model Specified _____ Quantity _____

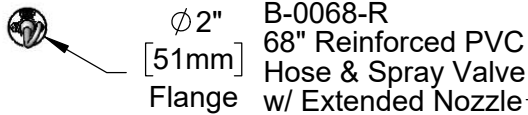
Customer/Wholesaler _____

Contractor _____

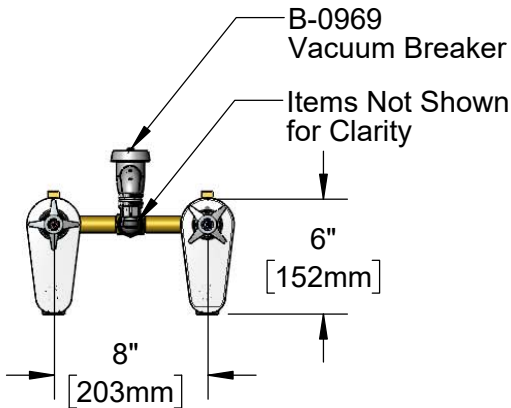
Architect/Engineer _____



Quarter-Turn Eterna Cartridges w/ Spring Checks & 4-Arm Handles w/ Color Coded Indexes

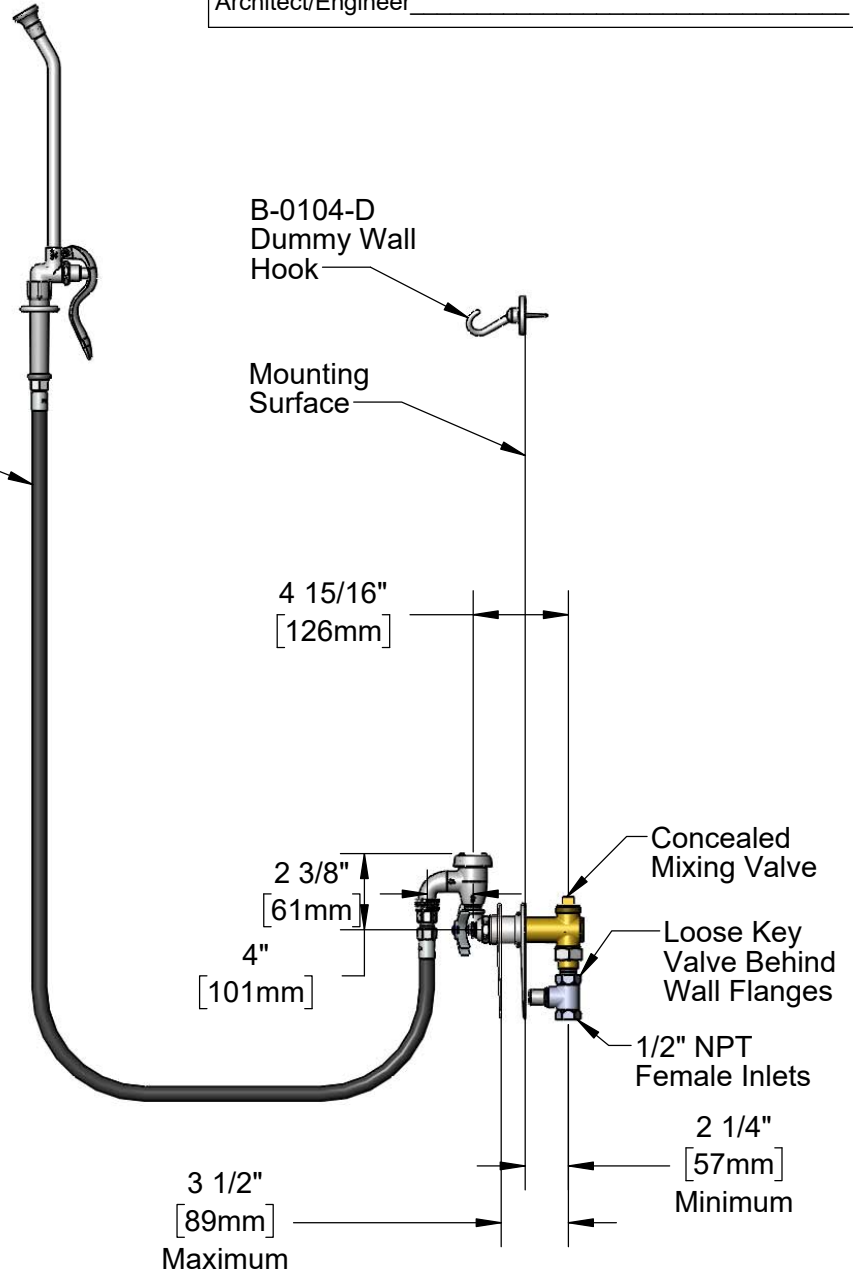


B-0068-R
68" Reinforced PVC Hose & Spray Valve w/ Extended Nozzle



B-0969 Vacuum Breaker
Items Not Shown for Clarity

Rough-In Requirement:
(2) ϕ 1 1/2" [38mm] Mounting Holes



Product Specifications:

Bedpan Washer, 8" Concealed Bypass Mixing Valve, Quarter-Turn Eterna Cartridges w/ Spring Checks, 4-Arm Handles, Vacuum Breaker, 68" Reinforced PVC Hose, Spray Valve w/ Extended Nozzle w/ 2.2 GPM Rosespray, Dummy Wall Hook, Loose Key Stops & 1/2" NPT Female Inlets

Product Compliance:

ASME A112.18.1 / CSA B125.1
NSF 61 - Section 9
NSF 372 (Low Lead Content)
ASSE 1001 (VB)
2019 DOE PRSV Non-Compliant



T&S BRASS AND BRONZE WORKS, INC.

2 Saddleback Cove / P.O. Box 1088
Travelers Rest, SC 29690

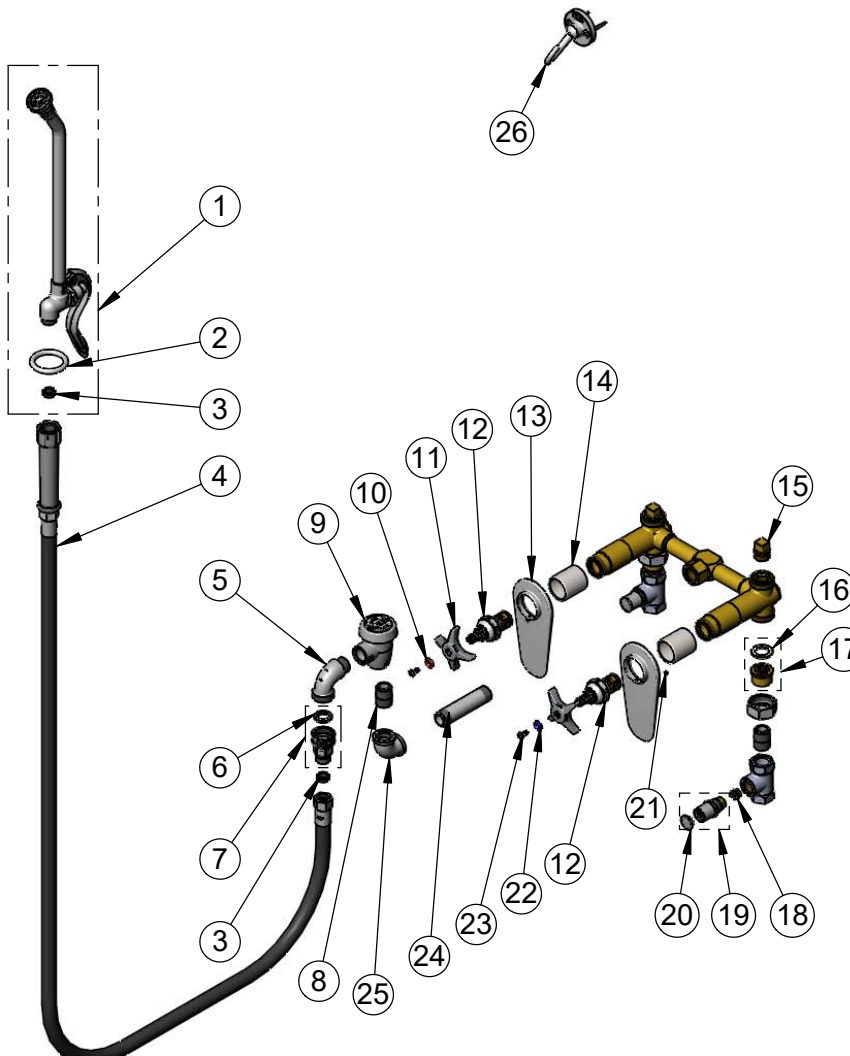
Model No.

B-0682-ST

Item No.

Travelers Rest, SC: 800-476-4103 • Simi Valley, CA: 800-423-0150 • Fax: 864-834-3518 • www.tsbrass.com

ITEM NO.	SALES NO.	DESCRIPTION
1	002865-40	Extended Spray Wand
2	000907-45	Spray Valve Hold Down Ring
3	010476-45	#27 Washer
4	B-0068-R	68" Reinforced PVC Hose
5	001618-40	Spout, Short
6	001019-45	Coupling Nut Washer
7	059A	Adapter, Garden Hose
8	002534-25	Close Nipple, 1/2" NPT
9	B-0969	1/2" NPT Vacuum Breaker
10	001661-45	Red Index-HW
11	002521-45	4-Arm Handle
12	012443-40	Quarter-Turn Eterna Cartridge w/ Spring Check, RTC
13	002820-40	Escutcheon, Tear Drop
14	151F	Escutcheon Tube
15	001347-20	1/2" NPT Square Head Plug
16	001019-45	Coupling Nut Washer
17	153F	Union Half, 1/2" NPT
18	000763-20	Seat
19	002892-40	Service Stop Spindle w/ Cap
20	001605-45	Cap
21	000939-45	Escutcheon, Set Screw
22	001660-45	Blue Index-CW
23	000922-45	Lever Handle Screw
24	002556-40	Nipple, 1/2" NPT x 3 1/2"
25	001357-40	Cast Elbow, 1/2"
26	B-0104	Dummy Wall Hook



Product Specifications:
 Bedpan Washer, 8" Concealed Bypass Mixing Valve, Quarter-Turn Eterna Cartridges w/ Spring Checks, 4-Arm Handles, Vacuum Breaker, 68" Reinforced PVC Hose, Spray Valve w/ Extended Nozzle w/ 2.2 GPM Rosespray, Dummy Wall Hook, Loose Key Stops & 1/2" NPT Female Inlets

Product Compliance:
 ASME A112.18.1 / CSA B125.1
 NSF 61 - Section 9
 NSF 372 (Low Lead Content)
 ASSE 1001 (VB)
 2019 DOE PRSV Non-Compliant