



**T&S BRASS AND BRONZE WORKS, INC.**  
 2 Saddleback Cove / P.O. Box 1088  
 Travelers Rest, SC 29690

Model No.  
**B-0665-CR-BSTP**

Item No.

Travelers Rest, SC: 800-476-4103 • Simi Valley, CA: 800-423-0150 • Fax: 864-834-3518 • www.tsbrass.com



**ADA Compliant**

This Space for Architect/Engineer Approval

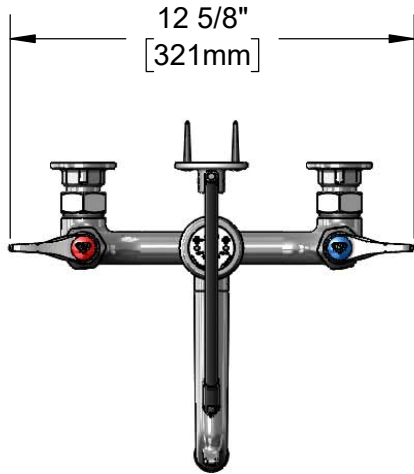
Job Name \_\_\_\_\_ Date \_\_\_\_\_

Model Specified \_\_\_\_\_ Quantity \_\_\_\_\_

Customer/Wholesaler \_\_\_\_\_

Contractor \_\_\_\_\_

Architect/Engineer \_\_\_\_\_



Support Rod w/  
 Wall Bracket &  
 Mounting Screws

Items Not Shown  
 for Clarity

B-0969  
 1/2" NPT Vacuum  
 Breaker

Quarter-Turn Cerama Cartridges  
 w/ Check Valves & Lever Handles  
 w/ Color Coded Indexes

Garden Hose  
 Male Outlet

Ø 2" [51mm]  
 Flanges w/  
 1/2" NPT  
 Female Inlets

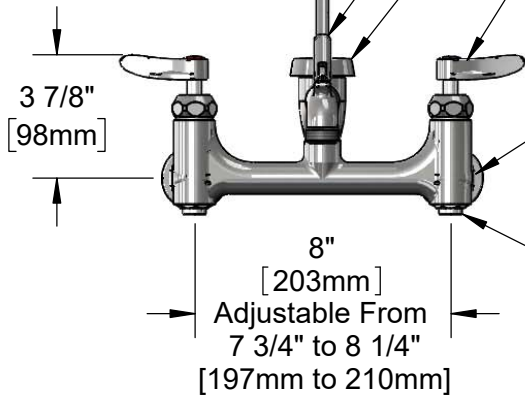
Built-In Service  
 Stops

Mounting  
 Surface

14 5/16"  
 [363mm]

2 11/16"  
 [68mm]

9 1/8"  
 [232mm]



**Product Specifications:**

8" Wall Mount Service Sink, Quarter-Turn Cerama Cartridges w/ Check Valves, Lever Handles, Upper Support Rod, Built-In Stops, Garden Hose Male Outlet, Polished Chrome Finish, 1/2" NPT Vacuum Breaker & 1/2" NPT Female Inlets

**Product Compliance:**

ASME A112.18.1 / CSA B125.1  
 NSF 61 - Section 9  
 NSF 372 (Low Lead Content)  
 ANSI A117.1 (ADA)  
 ASSE 1001 (VB)

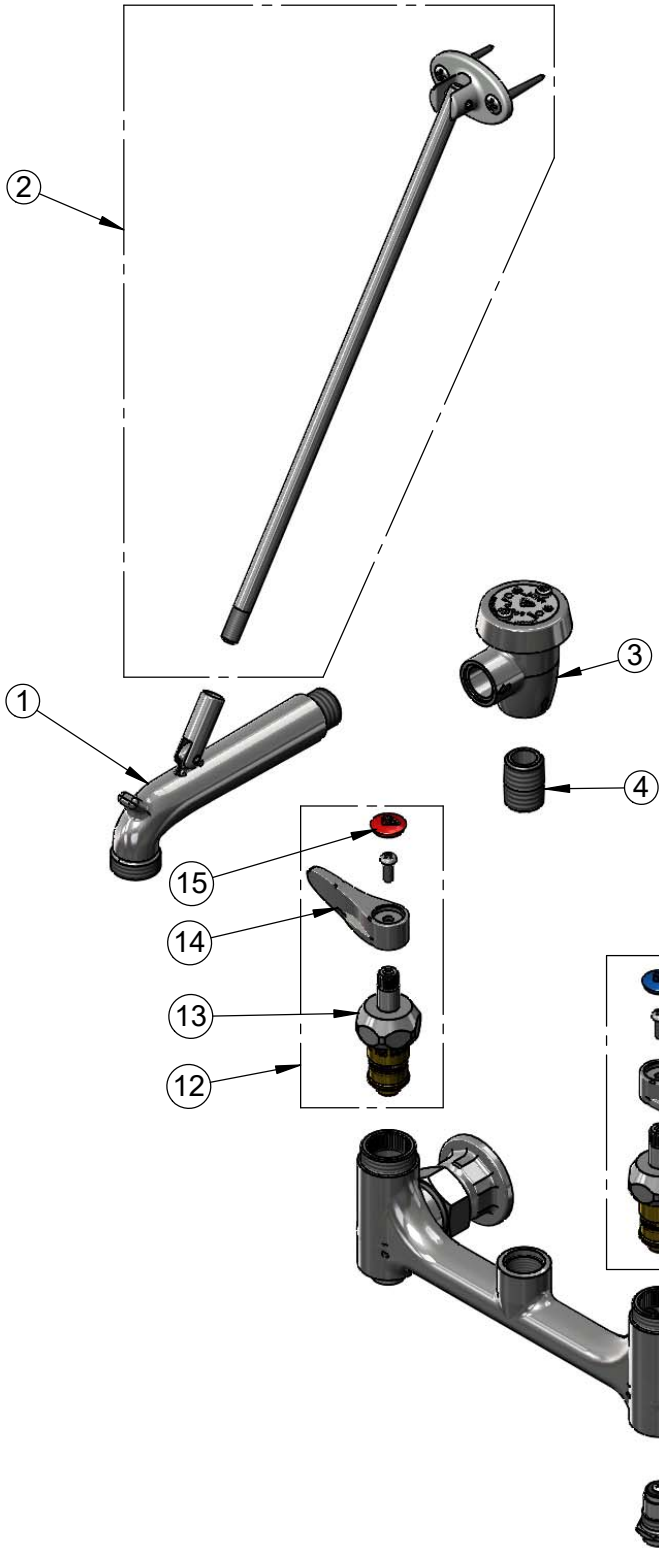


**T&S BRASS AND BRONZE WORKS, INC.**  
 2 Saddleback Cove / P.O. Box 1088  
 Travelers Rest, SC 29690

Model No.  
**B-0665-CR-BSTP**

Item No.

Travelers Rest, SC: 800-476-4103 • Simi Valley, CA: 800-423-0150 • Fax: 864-834-3518 • www.tsbrass.com



ITEM NO.	SALES NO.	DESCRIPTION
1	009545-40	Spout w/ Male GH Outlet & Upper Clevis - Polished Chrome
2	009546-40	Upper Support Rod
3	B-0969	1/2" NPT Vacuum Breaker
4	002534-25	Close Nipple, 1/2" NPT
5	018506-19NS	Blue Button Index, Press-in
6	000925-45	Lab Handle Screw
7	012447-25NS	Quarter-Turn Cerama Cartridge w/ Check Valve, Handle, Blue Index & Screw, LTC
8	012395-25NS	Quarter-Turn Cerama Cartridge w/ Check Valve, LTC
9	001019-45	Coupling Nut Washer
10	00AA	1/2" NPT Female Eccentric Flange
11	163A	Built-In Service Stop
12	012446-25NS	Quarter-Turn Cerama Cartridge w/ Check Valve, Handle, Red Index & Screw, RTC
13	012394-25NS	Quarter-Turn Cerama Cartridge w/ Check Valve, RTC
14	001638-45NS	Lever Handle (New Style)
15	001193-19NS	Red Button Index, Press-in

**Product Specifications:**  
 8" Wall Mount Service Sink, Quarter-Turn Cerama Cartridges w/ Check Valves, Lever Handles, Upper Support Rod, Built-In Stops, Garden Hose Male Outlet, Polished Chrome Finish, 1/2" NPT Vacuum Breaker & 1/2" NPT Female Inlets

**Product Compliance:**  
 ASME A112.18.1 / CSA B125.1  
 NSF 61 - Section 9  
 NSF 372 (Low Lead Content)  
 ANSI A117.1 (ADA)  
 ASSE 1001 (VB)