



# T&S BRASS AND BRONZE WORKS, INC.

2 Saddleback Cove / P.O. Box 1088  
Travelers Rest, SC 29690

Model No.

**B-0665-BSTP-CVB**

Item No.

Travelers Rest, SC: 800-476-4103 • Simi Valley, CA: 800-423-0150 • Fax: 864-834-3518 • www.tsbrass.com



**ADA Compliant**

This Space for Architect/Engineer Approval

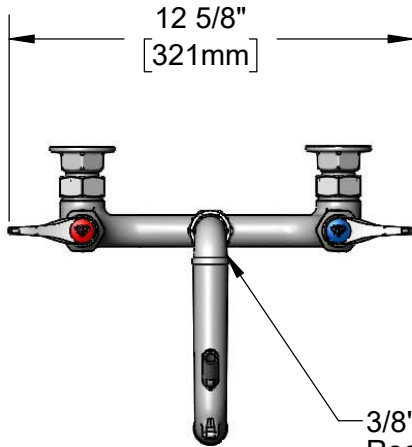
Job Name \_\_\_\_\_ Date \_\_\_\_\_

Model Specified \_\_\_\_\_ Quantity \_\_\_\_\_

Customer/Wholesaler \_\_\_\_\_

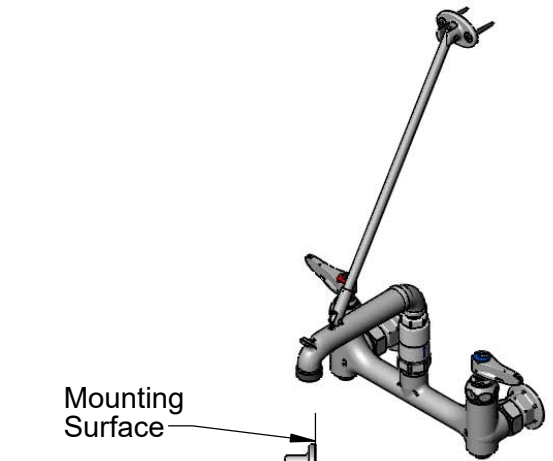
Contractor \_\_\_\_\_

Architect/Engineer \_\_\_\_\_



12 5/8"  
[321mm]

3/8" NPT x 1/2" NPT  
Reducer Elbow



Mounting  
Surface

Support Rod,  
Furnished w/  
Wall Bracket &  
Mounting Screws

17 1/4"  
[438mm]

Dual Check 3/8" NPT  
Vacuum Breaker

Items Not Shown  
for Clarity

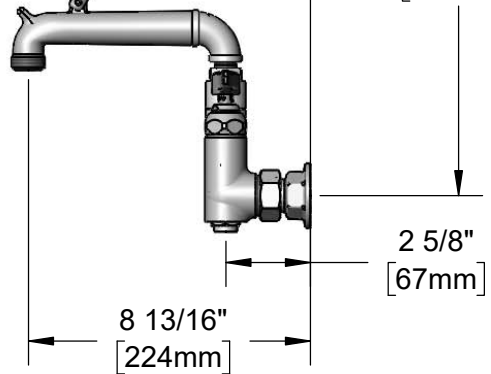
Quarter-Turn  
Eterna Cartridges w/  
Spring Checks &  
Lever Handles w/  
Color Coded Indexes

3 15/16"  
[99mm]

Integral  
Service  
Stop

8"  
[203mm]  
Adjustable From  
7 3/4" to 8 1/4"  
[197mm to 210mm]

Ø2"  
[51mm]  
Flanges w/  
1/2" NPT  
Female Inlets



8 13/16"  
[224mm]

2 5/8"  
[67mm]

### Product Specifications:

8' Wall Mount Service Sink, Quarter-Turn Eterna Cartridges w/ Spring Checks, Dual Check 3/8" NPT Vacuum Breaker, Lever Handles, Upper Support Rod, Built-In Stops, Garden Hose Male Outlet, Polished Chrome Finish and 1/2" NPT Female Inlets

### Product Compliance:

ASME A112.18.1 / CSA B125.1  
NSF 61 - Section 9  
NSF 372 (Low Lead Content)  
ASSE 1024 (VB)  
ANSI A117.1 (ADA)



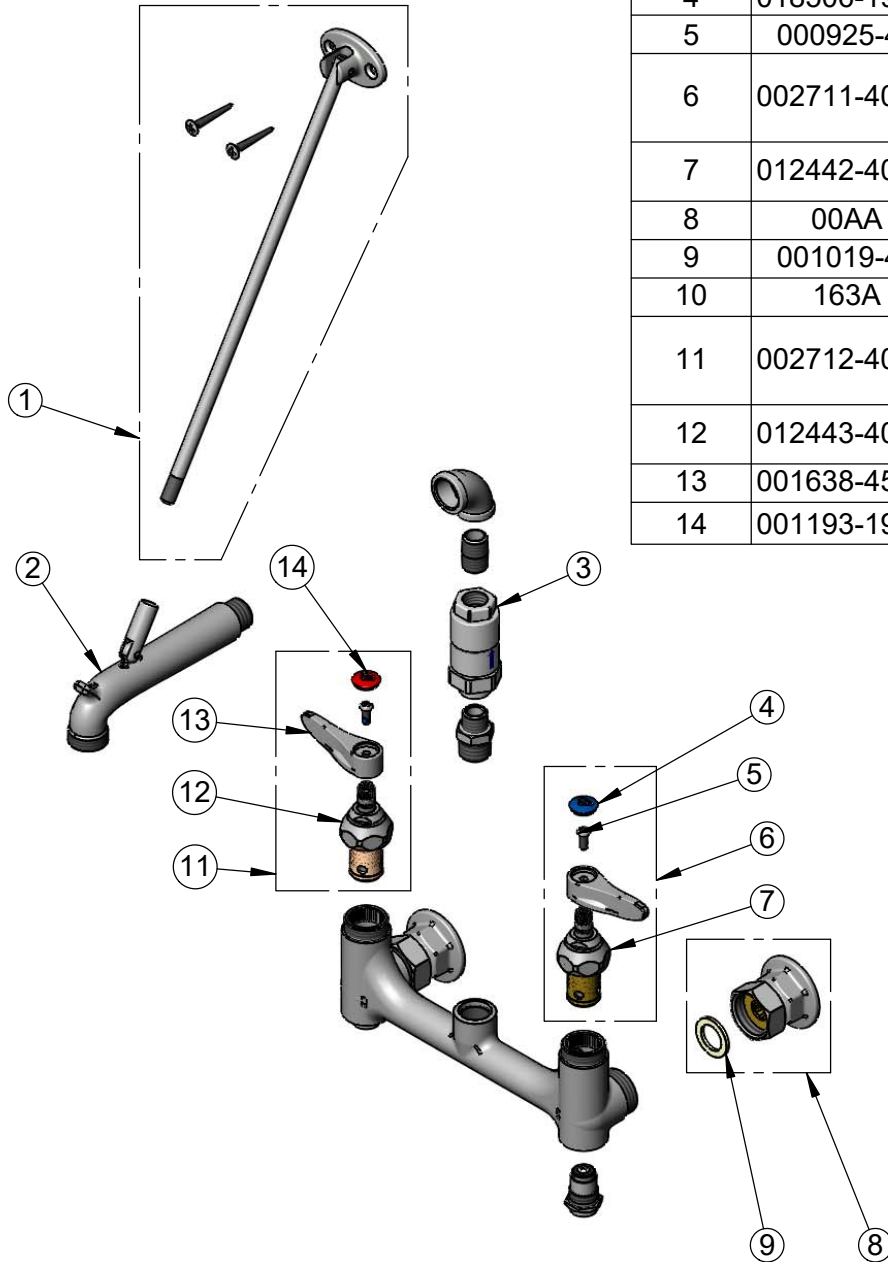
**T&S BRASS AND BRONZE WORKS, INC.**  
 2 Saddleback Cove / P.O. Box 1088  
 Travelers Rest, SC 29690

Model No.  
**B-0665-BSTP-CVB**

Item No.

Travelers Rest, SC: 800-476-4103 • Simi Valley, CA: 800-423-0150 • Fax: 864-834-3518 • www.tsbrass.com

ITEM NO.	SALES NO.	DESCRIPTION
1	009546-40	Upper Support Rod
2	009545-40	Spout w/ Male GH Outlet & Upper Clevis- Polished Chrome
3	B-0975	Dual Check Valve VB
4	018506-19NS	Blue Button Index, Press-in
5	000925-45	Lab Handle Screw
6	002711-40NS	Quarter-Turn Eterna Cartridge w/ Spring Check, Handle, Blue Index & Screw, LTC
7	012442-40NS	Quarter-Turn Eterna Cartridge w/ Spring Check, LTC
8	00AA	1/2" NPT Female Eccentric Flange
9	001019-45	Coupling Nut Washer
10	163A	Built-In Service Stop
11	002712-40NS	Quarter-Turn Eterna Cartridge w/ Spring Check, Handle, Red Index & Screw, RTC
12	012443-40NS	Quarter-Turn Eterna Cartridge w/ Spring Check, RTC
13	001638-45NS	Lever Handle (New Style)
14	001193-19NS	Red Button Index, Press-in



**Product Specifications:**

8' Wall Mount Service Sink, Quarter-Turn Eterna Cartridges w/ Spring Checks, Dual Check 3/8" NPT Vacuum Breaker, Lever Handles, Upper Support Rod, Built-In Stops, Garden Hose Male Outlet, Polished Chrome Finish and 1/2" NPT Female Inlets

**Product Compliance:**

ASME A112.18.1 / CSA B125.1  
 NSF 61 - Section 9  
 NSF 372 (Low Lead Content)  
 ASSE 1024 (VB)  
 ANSI A117.1 (ADA)