



# T&S BRASS AND BRONZE WORKS, INC.

2 Saddleback Cove / P.O. Box 1088  
Travelers Rest, SC 29690

Model No.

**B-0655-BSTP**

Item No.

Travelers Rest, SC: 800-476-4103 • Simi Valley, CA: 800-423-0150 • Fax: 864-834-3518 • www.tsbrass.com



**ADA Compliant**

This Space for Architect/Engineer Approval

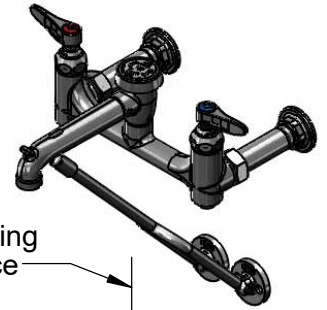
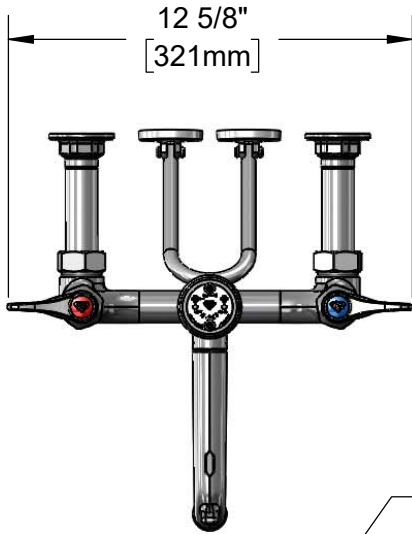
Job Name \_\_\_\_\_ Date \_\_\_\_\_

Model Specified \_\_\_\_\_ Quantity \_\_\_\_\_

Customer/Wholesaler \_\_\_\_\_

Contractor \_\_\_\_\_

Architect/Engineer \_\_\_\_\_



Mounting Surface

B-0441  
Extension  
Flange  
Inlets

B-0969  
1/2" NPT Vacuum Breaker

Quarter-Turn  
Eterna Cartridges w/  
Spring Checks &  
Lever Handles w/  
Color Coded Indexes

Garden Hose  
Male Outlet

3 15/16"  
[99mm]

Ø 2" [51mm]  
Flanges w/  
1/2" NPT  
Female Inlets

Built-In  
Service Stops

Lower Wall Support  
Rod w/ Wall Bracket  
& Mounting Screws

9 1/4"  
[235mm]

2 7/16"  
[62mm]

5 7/16"  
[137mm]

8"  
[203mm]

Adjustable From  
7 3/4" to 8 1/4"  
[197mm to 210mm]

11 7/8"  
[302mm]

**Product Specifications:**

8" Service Sink Faucet, Quarter-Turn Eterna Cartridges w/ Spring Checks, Lever Handles, Lower Support Rod, Built-In Stops, Garden Hose Male Outlet, Polished Chrome Finish, 1/2" NPT Vacuum Breaker & 1/2" NPT Female Extended Inlets

**Product Compliance:**

ASME A112.18.1 / CSA B125.1  
NSF 61-Section 9  
NSF 372 (Low Lead Content)  
ANSI A117.1 (ADA)  
ASSE 1001 (VB)



# T&S BRASS AND BRONZE WORKS, INC.

2 Saddleback Cove / P.O. Box 1088  
Travelers Rest, SC 29690

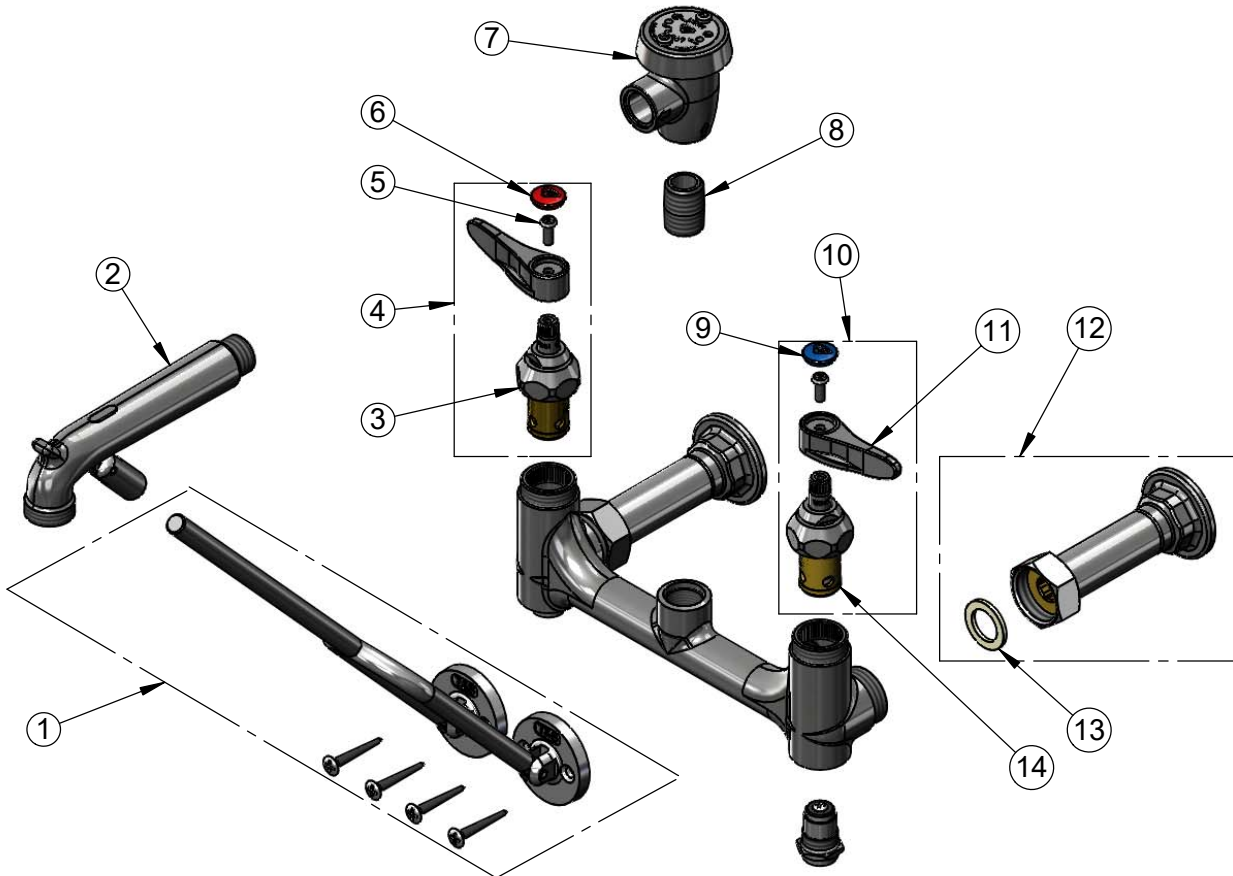
Model No.

**B-0655-BSTP**

Item No.

Travelers Rest, SC: 800-476-4103 • Simi Valley, CA: 800-423-0150 • Fax: 864-834-3518 • www.tsbrass.com

| ITEM NO. | SALES NO.   | DESCRIPTION  |
|----------|-------------|--|
| 1        | 009616-40   | Lower Wall Support w/ Mounting Screws  |
| 2        | 016450-40   | Spout, Polished Chrome w/ Bottom Support Clevis                                |
| 3        | 012443-40NS | Quarter-Turn Eterna Cartridge w/ Spring Check, RTC                             |
| 4        | 002712-40NS | Quarter-Turn Eterna Cartridge w/ Spring Check, Handle, Red Index & Screw, RTC  |
| 5        | 000925-45   | Lab Handle Screw </td  |
| 6        | 001193-19NS | Red Button Index, Press-in   |
| 7        | B-0969      | 1/2" NPT Vacuum Breaker  |
| 8        | 002534-25   | Close Nipple, 1/2" NPT   |
| 9        | 018506-19NS | Blue Button Index, Press-in  |
| 10       | 002711-40NS | Quarter-Turn Eterna Cartridge w/ Spring Check, Handle, Blue Index & Screw, LTC |
| 11       | 001638-45NS | Lever Handle (New Style)   |
| 12       | B-0441      | 1/2" x 4" Extension Flange Inlet   |
| 13       | 001019-45   | Coupling Nut Washer  |
| 14       | 012442-40NS | Quarter-Turn Eterna Cartridge w/ Spring Check, LTC                             |
| 15       | 163A        | Built-in Service Stop  |



**Product Specifications:**

8" Service Sink Faucet, Quarter-Turn Eterna Cartridges w/ Spring Checks, Lever Handles, Lower Support Rod, Built-In Stops, Garden Hose Male Outlet, Polished Chrome Finish, 1/2" NPT Vacuum Breaker & 1/2" NPT Female Extended Inlets

**Product Compliance:**

ASME A112.18.1 / CSA B125.1  
NSF 61-Section 9  
NSF 372 (Low Lead Content)  
ANSI A117.1 (ADA)  
ASSE 1001 (VB)