



**T&S BRASS AND BRONZE WORKS, INC.**  
 2 Saddleback Cove / P.O. Box 1088  
 Travelers Rest, SC 29690

Model No.  
**B-0546-133XLF15**

Item No.

Travelers Rest, SC: 800-476-4103 • Simi Valley, CA: 800-423-0150 • Fax: 864-834-3518 • www.tsbrass.com

This Space for Architect/Engineer Approval

Job Name \_\_\_\_\_ Date \_\_\_\_\_

Model Specified \_\_\_\_\_ Quantity \_\_\_\_\_

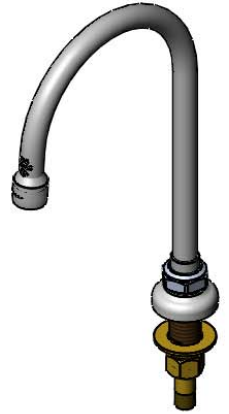
Customer/Wholesaler \_\_\_\_\_

Contractor \_\_\_\_\_

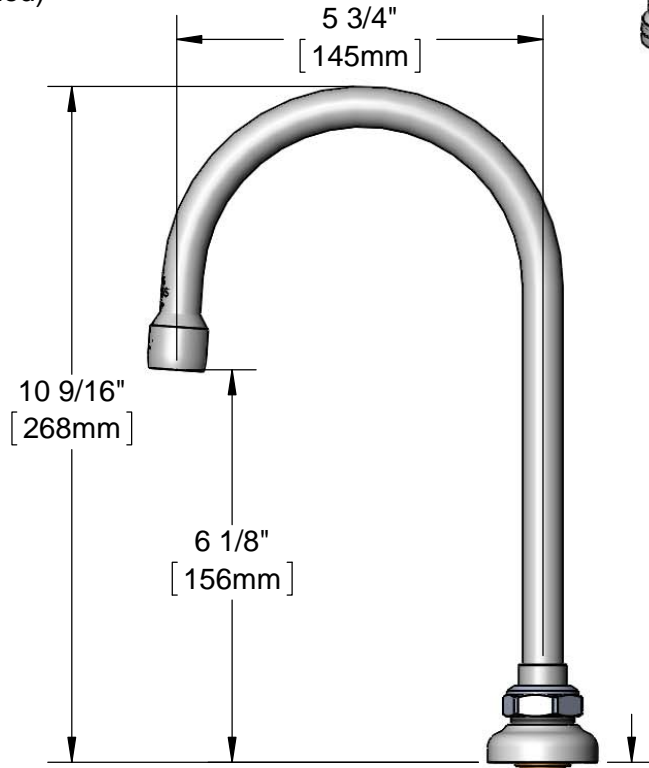
Architect/Engineer \_\_\_\_\_



Swivel Gooseneck w/  
 B-0199-29  
 1.5 GPM Laminar Flow  
 Device. Rigid Conversion  
 Requires 014200-45 Lock  
 Washer (Included)



1 7/8"  
 [47mm]  
 Ø 1 3/4"  
 [44mm] Deck Flange  
 1/2" NPSM  
 Male Inlet



10 9/16"  
 [268mm]

5 3/4"  
 [145mm]

6 1/8"  
 [156mm]

150A  
 Optional Tailpiece & Nut  
 for 1/4" NPT Connection  
 (Included)

1"  
 [26mm]  
 Maximum  
 Thickness

Rough-in Requirement:  
 Ø 1" [25mm] Mounting Hole

Product Specifications:  
 Single Hole Deck Mount Dummy Swivel Gooseneck, 1.5 GPM Laminar  
 Flow Device & 1/2" NPSM Male Inlet

Product Compliance:  
 ASME A112.18.1 / CSA B125.1  
 NSF 61 - Section 9  
 NSF 372 (Low Lead Content)

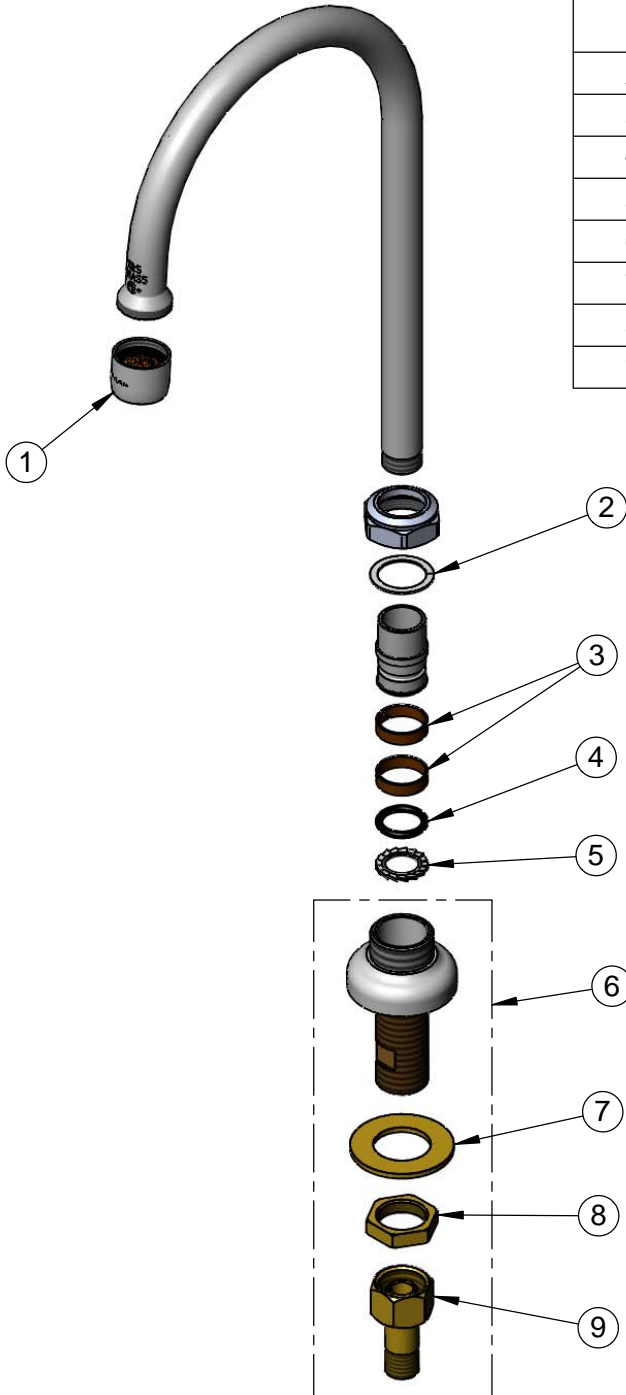


**T&S BRASS AND BRONZE WORKS, INC.**  
 2 Saddleback Cove / P.O. Box 1088  
 Travelers Rest, SC 29690

Model No.  
**B-0546-133XLF15**

Item No.

Travelers Rest, SC: 800-476-4103 • Simi Valley, CA: 800-423-0150 • Fax: 864-834-3518 • www.tsbrass.com



ITEM NO.	SALES NO.	DESCRIPTION
1	B-0199-29	1.5 GPM Laminar Flow Device, 55/64-27 UN Female
2	009538-45	Swivel Washer
3	011429-45	Swivel Sleeves (2)
4	001074-45	O-Ring
5	014200-45	Star Washer, Anti-Rotation
6	B-0431	Deck Mount Swivel Base Outlet
7	000999-45	Brass Lock Washer
8	002954-45	Shank Lock Nut
9	150A	1/4" NPT Tailpiece & Nut

Product Specifications:  
 Single Hole Deck Mount Dummy Swivel Gooseneck, 1.5 GPM Laminar Flow Device & 1/2" NPSM Male Inlet

Product Compliance:  
 ASME A112.18.1 / CSA B125.1  
 NSF 61 - Section 9  
 NSF 372 (Low Lead Content)