



# T&S BRASS AND BRONZE WORKS, INC.

2 Saddleback Cove / P.O. Box 1088  
Travelers Rest, SC 29690

Model No.

**B-0528**

Item No.

Travelers Rest, SC: 800-476-4103 • Simi Valley, CA: 800-423-0150 • Fax: 864-834-3518 • www.tsbrass.com

This Space for Architect/Engineer Approval

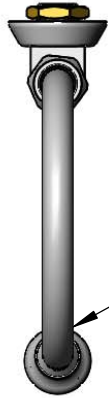
Job Name \_\_\_\_\_ Date \_\_\_\_\_

Model Specified \_\_\_\_\_ Quantity \_\_\_\_\_

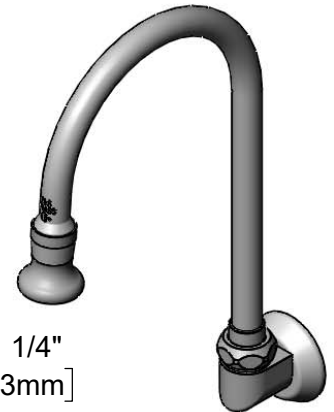
Customer/Wholesaler \_\_\_\_\_

Contractor \_\_\_\_\_

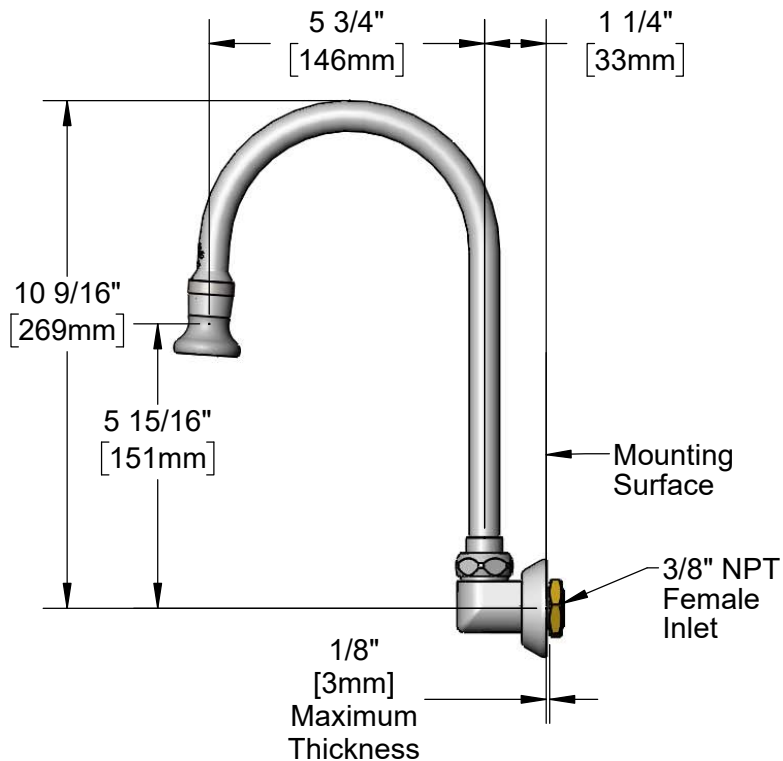
Architect/Engineer \_\_\_\_\_



Swivel Gooseneck  
B-0103-01  
2.2 GPM  
Rosespray Outlet.  
Rigid Conversion Requires  
014200-45 Lock Washer  
(Included)



Ø 2" [51mm]  
Flanges



Rough-In Requirement:  
Ø 1" [25mm] Mounting Hole

Product Specifications:  
Wall Mount Dummy Swivel/Rigid Gooseneck w/ 2.2 GPM Rosespray Outlet & 3/8" NPT Female Inlet

Product Compliance:  
ASME A112.18.1 / CSA B125.1  
NSF 61 - Section 9  
NSF 372 (Low Lead Content)



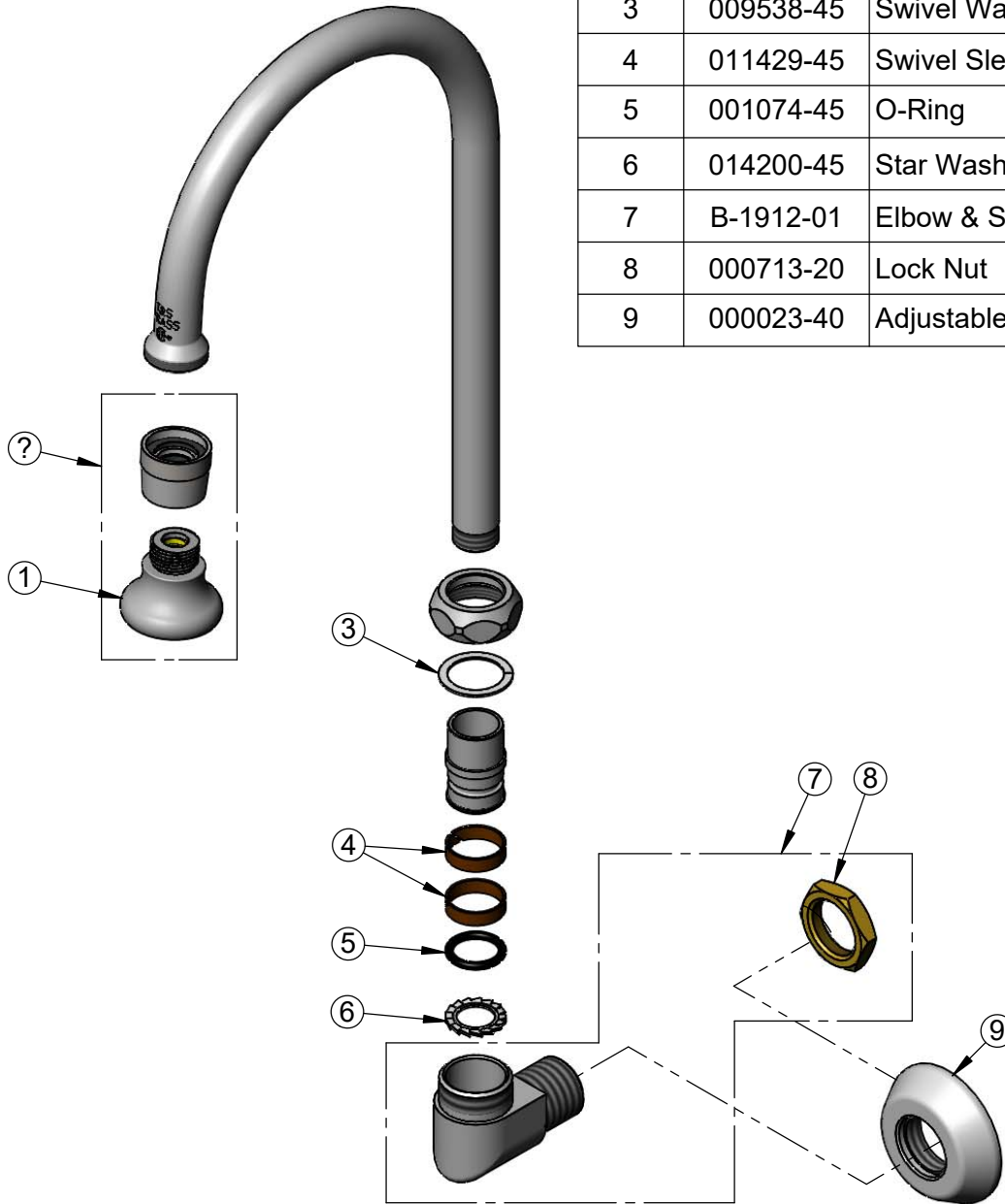
**T&S BRASS AND BRONZE WORKS, INC.**  
 2 Saddleback Cove / P.O. Box 1088  
 Travelers Rest, SC 29690

Model No.  
**B-0528**

Item No.

Travelers Rest, SC: 800-476-4103 • Simi Valley, CA: 800-423-0150 • Fax: 864-834-3518 • www.tsbrass.com

ITEM NO.	SALES NO.	DESCRIPTION
1	B-0103	2.2 GPM Rosespray, 3/8-18 NPT Male
2	B-0103-01	2.2 GPM Rosespray, 55/64-27 UN Adapter
3	009538-45	Swivel Washer
4	011429-45	Swivel Sleeves (2)
5	001074-45	O-Ring
6	014200-45	Star Washer, Anti-Rotation
7	B-1912-01	Elbow & Shank Nut, Swivel Outlet
8	000713-20	Lock Nut
9	000023-40	Adjustable Wall Flange



Product Specifications:  
 Wall Mount Dummy Swivel/Rigid Gooseneck w/ 2.2 GPM Rosespray Outlet & 3/8" NPT Female Inlet

Product Compliance:  
 ASME A112.18.1 / CSA B125.1  
 NSF 61 - Section 9  
 NSF 372 (Low Lead Content)