



T&S BRASS AND BRONZE WORKS, INC.

2 Saddleback Cove / P.O. Box 1088
Travelers Rest, SC 29690

Model No.

B-0513-01

Item No.

Travelers Rest, SC: 800-476-4103 • Simi Valley, CA: 800-423-0150 • Fax: 864-834-3518 • www.tsbrass.com

This Space for Architect/Engineer Approval

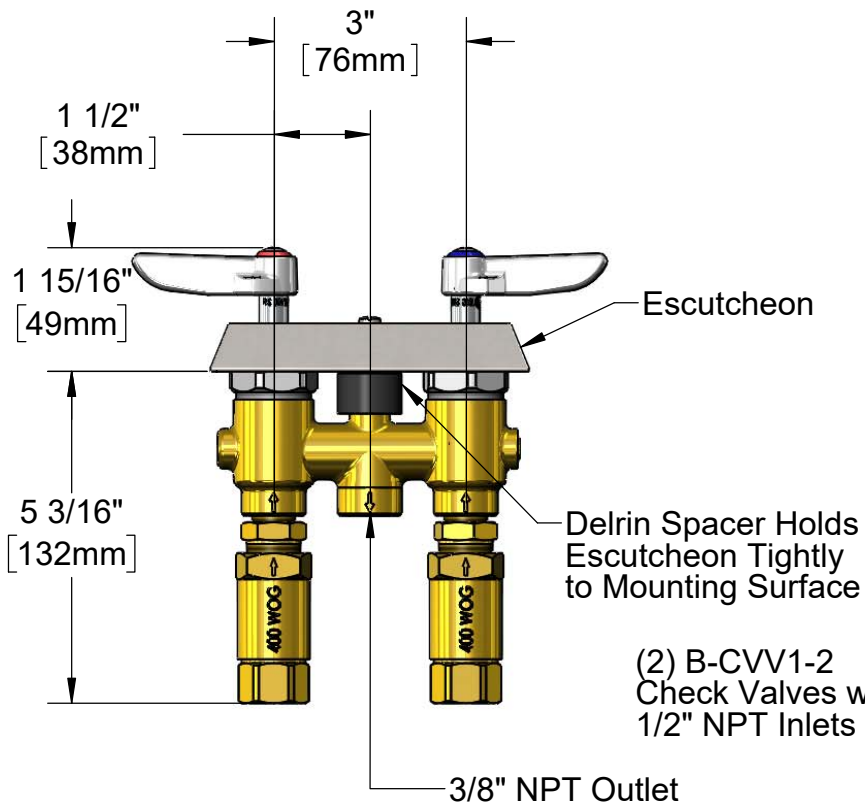
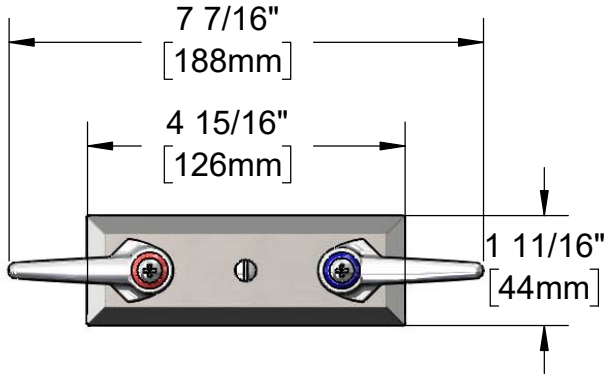
Job Name _____ Date _____

Model Specified _____ Quantity _____

Customer/Wholesaler _____

Contractor _____

Architect/Engineer _____



(2) B-CVV1-2
Check Valves w/
1/2" NPT Inlets

Rough-In Requirement:
(2) \varnothing 1 9/16" [40mm] Faucet Mounting Holes
 \varnothing 1/4" [6mm] Center Mounting Screw

Product Specifications:
Concealed Mixing Faucet w/ Lever Handles, Adapters & Check Valves

Product Compliance:
ASME A112.18.1 / CSA B125.1
NSF 61 - Section 9
NSF 372 (Low Lead Content)
ANSI A117.1 (ADA)



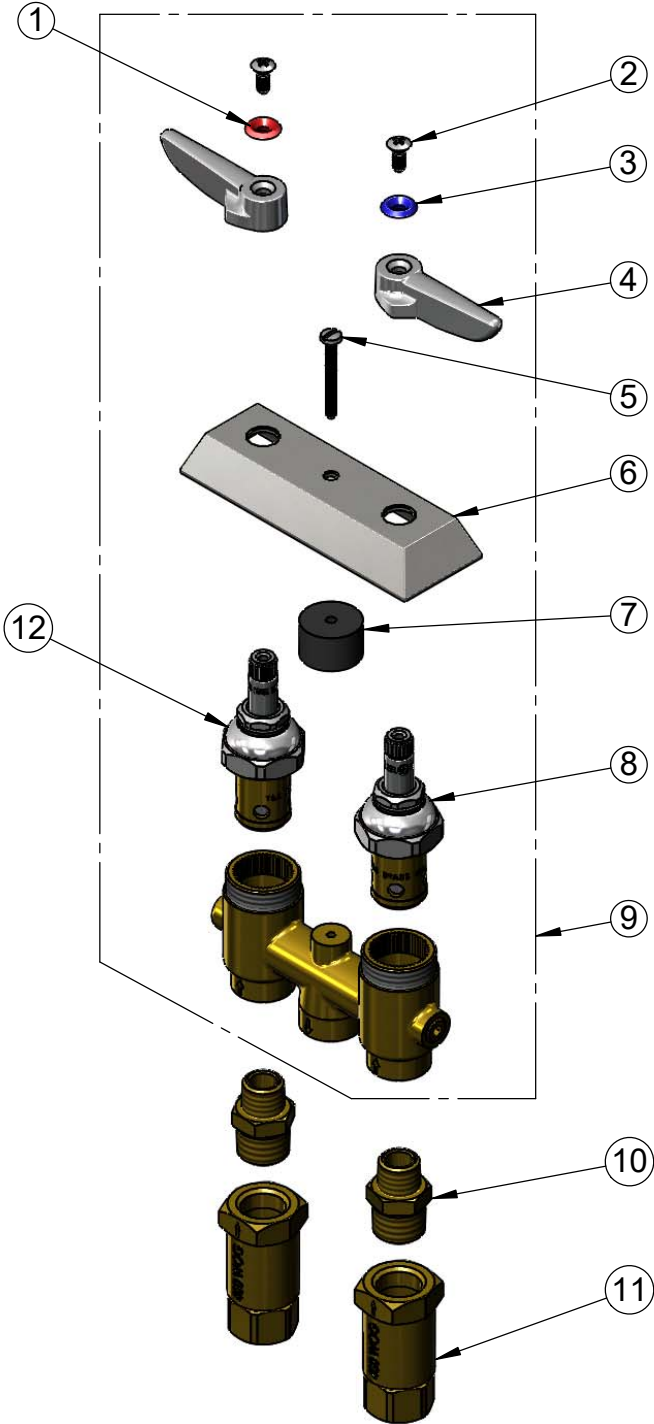
T&S BRASS AND BRONZE WORKS, INC.
 2 Saddleback Cove / P.O. Box 1088
 Travelers Rest, SC 29690

Model No.
B-0513-01

Item No.

Travelers Rest, SC: 800-476-4103 • Simi Valley, CA: 800-423-0150 • Fax: 864-834-3518 • www.tsbrass.com

ITEM NO.	SALES NO.	DESCRIPTION
1	001661-45	Red Index-HW
2	000922-45	Lever Handle Screw
3	001660-45	Blue Index-CW
4	001638-45	Lever Handle
5	002819-45	Screw
6	000020-40	Escutcheon
7	015986-45	Spacer
8	006021-40	Eterna Cartridge, LTC
9	B-0513	Concealed Mixing Faucet w/ Lever Handles
10	062A	Adapter, Male - 3/8 NPT x 1/2 NPT
11	B-CVH1-2	1/2" Check Valve
12	006020-40	Eterna Cartridge, RTC



Product Specifications:
 Concealed Mixing Faucet w/ Lever Handles, Adapters & Check Valves

Product Compliance:
 ASME A112.18.1 / CSA B125.1
 NSF 61 - Section 9
 NSF 372 (Low Lead Content)
 ANSI A117.1 (ADA)