



T&S BRASS AND BRONZE WORKS, INC.

2 Saddleback Cove / P.O. Box 1088
Travelers Rest, SC 29690

Model No.

B-0512-0101

Item No.

Travelers Rest, SC: 800-476-4103 • Simi Valley, CA: 800-423-0150 • Fax: 864-834-3518 • www.tsbrass.com

This Space for Architect/Engineer Approval

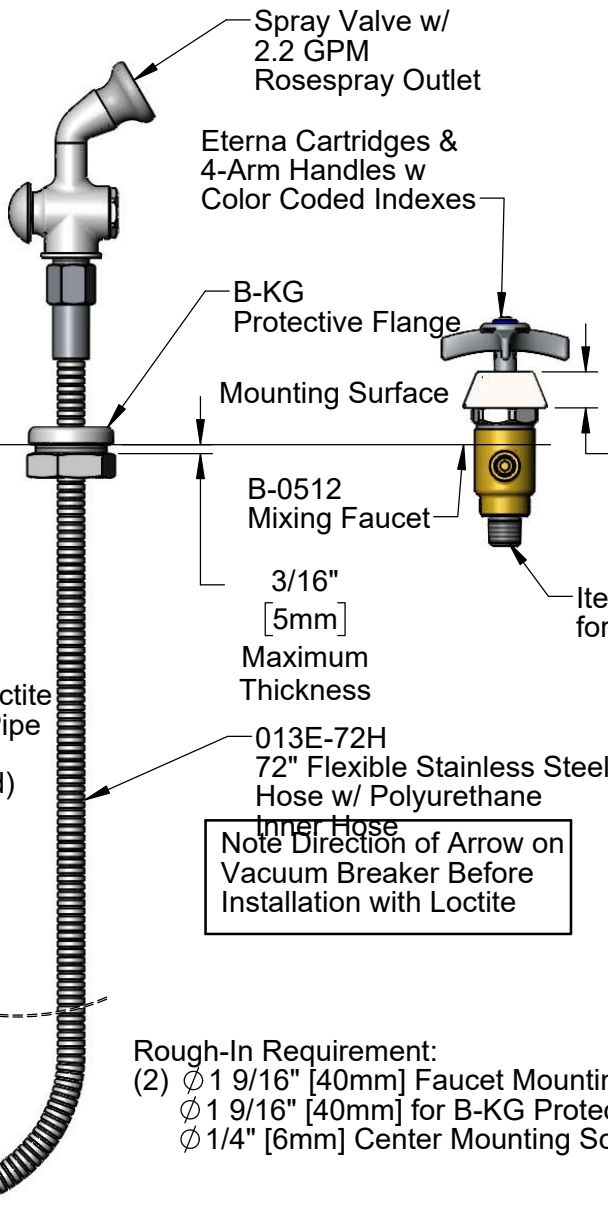
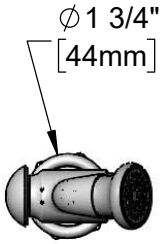
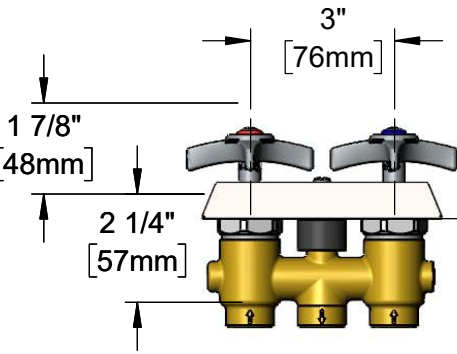
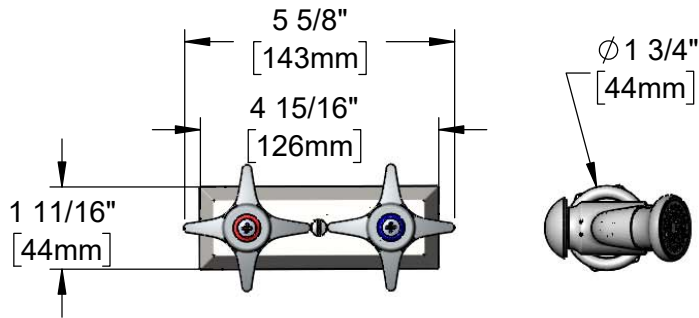
Job Name _____ Date _____

Model Specified _____ Quantity _____

Customer/Wholesaler _____

Contractor _____

Architect/Engineer _____



3/8" NPT
Close
Nipple

B-0970-FE
Vacuum Breaker

053A
Adapter

Apply Loctite
680 on Pipe
Threads
(Included)

Spray Valve w/
2.2 GPM
Rosespray Outlet

Eterna Cartridges &
4-Arm Handles w
Color Coded Indexes

B-KG
Protective Flange

Mounting Surface

B-0512
Mixing Faucet

3/16"
[5mm]
Maximum
Thickness

013E-72H
72" Flexible Stainless Steel
Hose w/ Polyurethane
Inner Hose

Note Direction of Arrow on
Vacuum Breaker Before
Installation with Loctite

3/4"
[19mm]

Items Not Shown
for Clarity

Rough-In Requirement:
(2) ϕ 1 9/16" [40mm] Faucet Mounting Holes
 ϕ 1 9/16" [40mm] for B-KG Protective Flange
 ϕ 1/4" [6mm] Center Mounting Screw

Product Specifications:
3" Concealed Mixing Faucet w/ Lever Handles, Vacuum Breaker, Protective Flange, 72" Flexible Stainless Steel Hose & Spray Valve w/ 2.2 GPM Rosespray Outlet

Product Compliance:
ASME A112.18.1 / CSA B125.1
NSF 61 - Section 9
NSF 372 (Low Lead Content)



T&S BRASS AND BRONZE WORKS, INC.

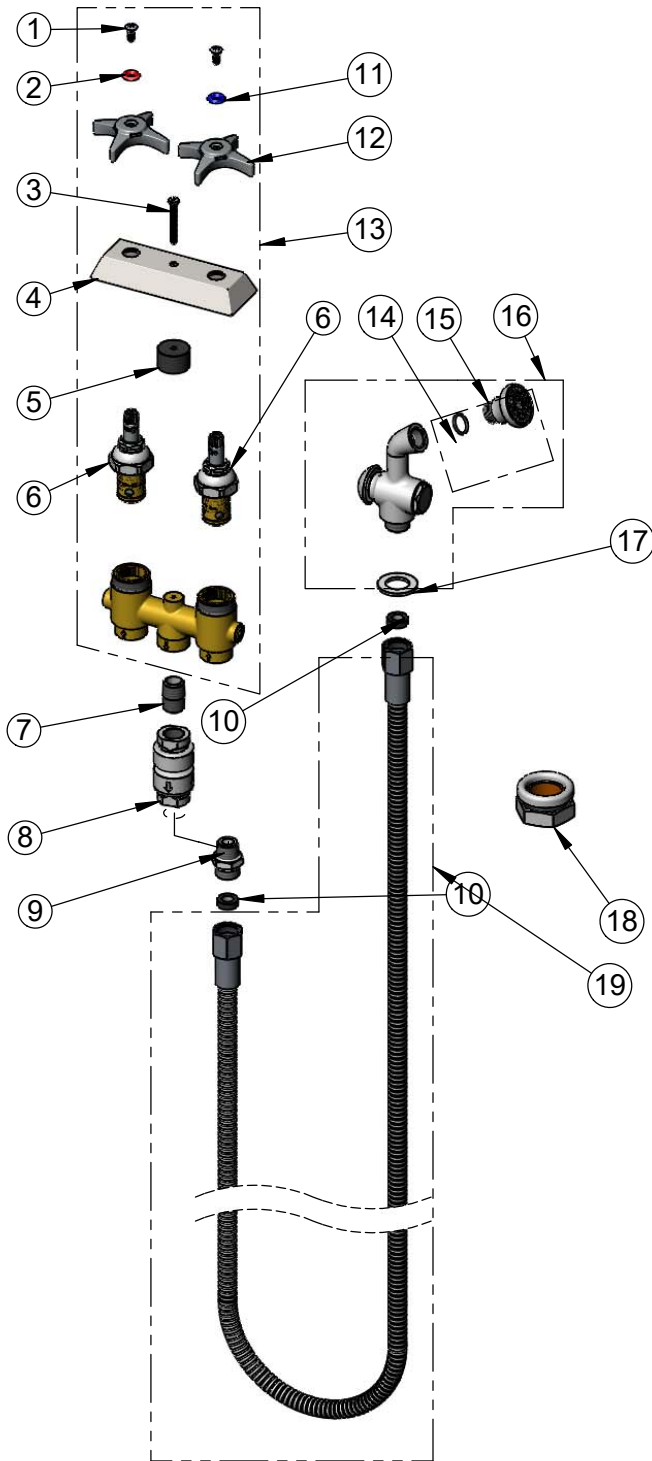
2 Saddleback Cove / P.O. Box 1088
Travelers Rest, SC 29690

Model No.

B-0512-0101

Item No.

Travelers Rest, SC: 800-476-4103 • Simi Valley, CA: 800-423-0150 • Fax: 864-834-3518 • www.tsbrass.com



ITEM NO.	SALES NO.	DESCRIPTION
1	000922-45	Lever Handle Screw
2	001661-45	Red Index-HW
3	002819-45	Screw
4	000020-40	Escutcheon
5	015986-45	Spacer
6	006020-40	Eterna Cartridge, RTC
7	002535-25	3/8" Close Nipple
8	B-0970-FE	Dual Check Valve Vacuum Breaker
9	053A	Adapter, 3/8" NPT x 3/4"-14UN
10	010476-45	#27 Washer
11	001660-45	Blue Index-CW
12	002521-45	4-Arm Handle
13	B-0512	Concealed Mixing Faucet
14	006575-45	-015 O-Ring
15	B-0103	2.2 GPM Rosespray, 3/8-18 NPT Male
16	002857-40	Spray Valve w/ 2.2 GPM Rosespray Outlet
17	001010-40	Washer, Stainless Steel
18	B-KG	Protective Flange
19	013E-72H	72" Flexible Stainless Steel Hose

Product Specifications:

3" Concealed Mixing Faucet w/ Lever Handles, Vacuum Breaker, Protective Flange, 72" Flexible Stainless Steel Hose & Spray Valve w/ 2.2 GPM Rosespray Outlet

Product Compliance:

ASME A112.18.1 / CSA B125.1
NSF 61 - Section 9
NSF 372 (Low Lead Content)