



T&S BRASS AND BRONZE WORKS, INC.

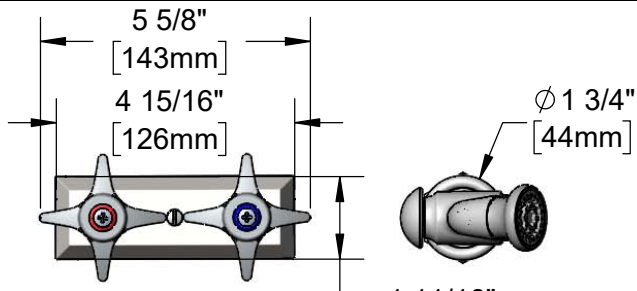
2 Saddleback Cove / P.O. Box 1088
Travelers Rest, SC 29690

Model No.

B-0512-0101-CV

Item No.

Travelers Rest, SC: 800-476-4103 • Simi Valley, CA: 800-423-0150 • Fax: 864-834-3518 • www.tsbrass.com



This Space for Architect/Engineer Approval

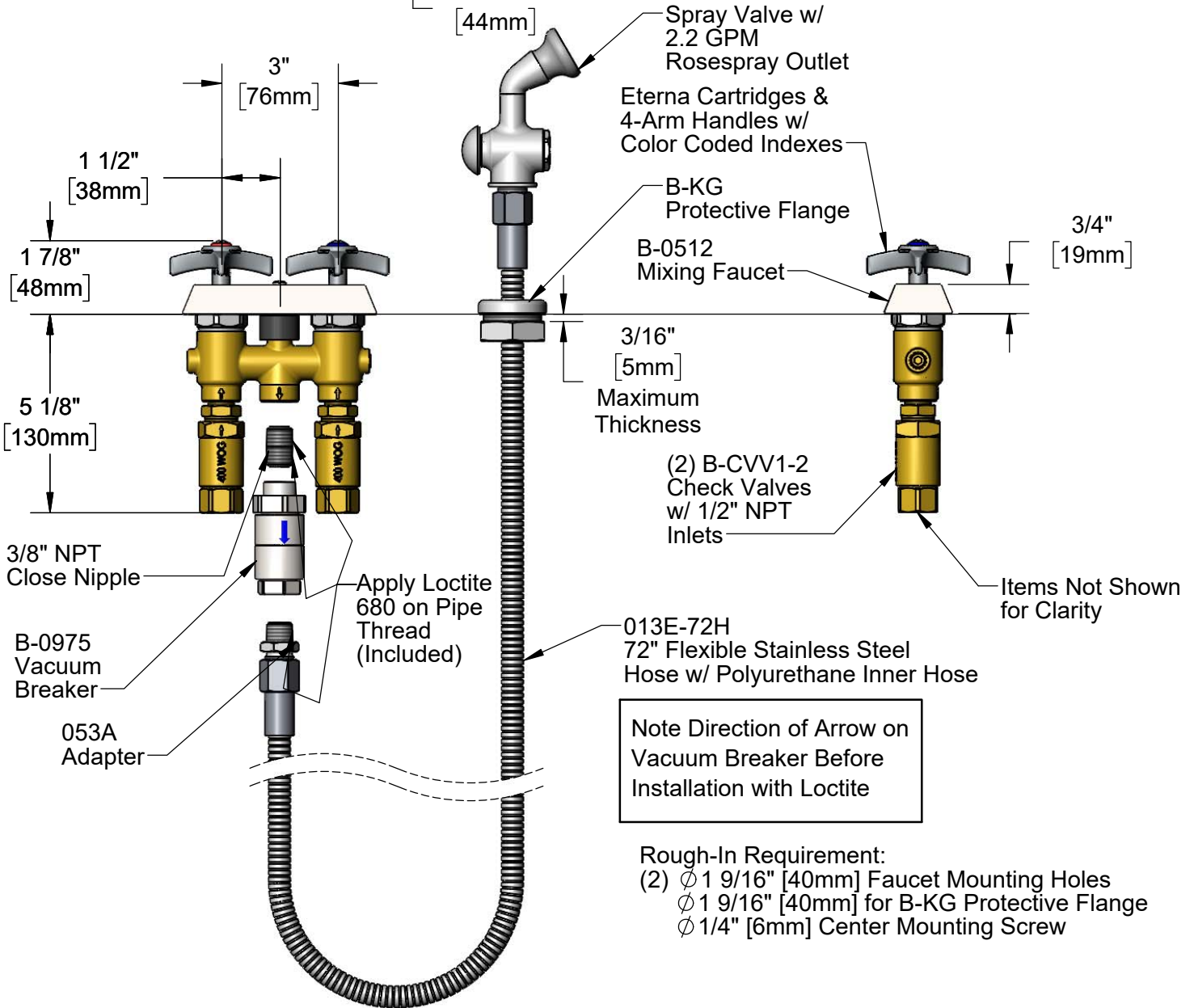
Job Name _____ Date _____

Model Specified _____ Quantity _____

Customer/Wholesaler _____

Contractor _____

Architect/Engineer _____



Note Direction of Arrow on Vacuum Breaker Before Installation with Loctite

- Rough-In Requirement:
- (2) ϕ 1 9/16" [40mm] Faucet Mounting Holes
 - ϕ 1 9/16" [40mm] for B-KG Protective Flange
 - ϕ 1/4" [6mm] Center Mounting Screw

Product Specifications:
3" Concealed Mixing Faucet w/ 4-Arm Handles, Vacuum Breaker, Check Valves, Protective Flange, 72" Flexible Stainless Steel Hose & Spray Valve w/ 2.2 GPM Rosespray Outlet

Product Compliance:
ASME A112.18.1 / CSA B125.1
NSF 61 - Section 9
NSF 372 (Low Lead Content)
ASSE 1024 (VB)



T&S BRASS AND BRONZE WORKS, INC.

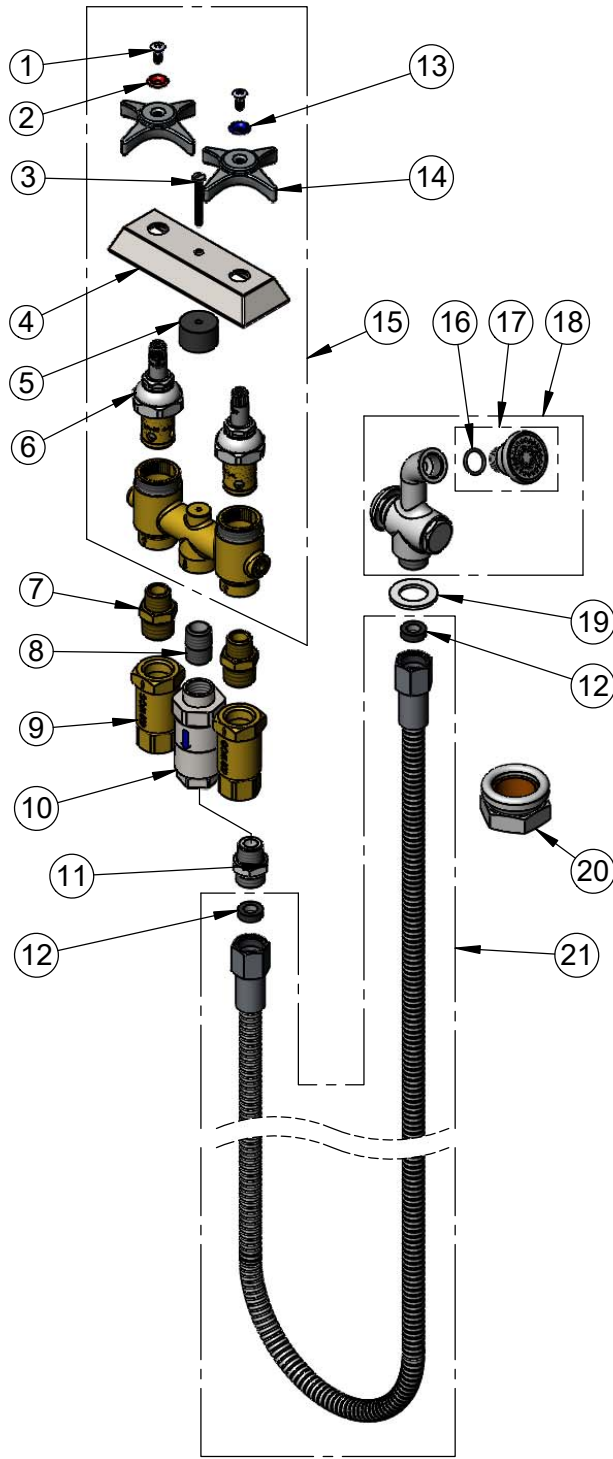
2 Saddleback Cove / P.O. Box 1088
Travelers Rest, SC 29690

Model No.

B-0512-0101-CV

Item No.

Travelers Rest, SC: 800-476-4103 • Simi Valley, CA: 800-423-0150 • Fax: 864-834-3518 • www.tsbrass.com



ITEM NO.	SALES NO.	DESCRIPTION
1	000922-45	Lever Handle Screw
2	001661-45	Red Index-HW
3	002819-45	Screw
4	000020-40	Escutcheon
5	015986-45	Spacer
6	006020-40	Eterna Cartridge, RTC
7	062A	Adapter, Male - 3/8 NPT x 1/2 NPT
8	002535-25	3/8" Close Nipple
9	B-CVH1-2	1/2" Check Valve
10	B-0975	Dual Check Valve VB
11	053A	Adapter, 3/8" NPT Male
12	010476-45	#27 Washer
13	001660-45	Blue Index-CW
14	002521-45	4-Arm Handle
15	B-0512	Concealed Mixing Faucet
16	006575-45	-015 O-Ring
17	B-0103	2.2 GPM Rosespray, 3/8"-18 NPT Male
18	002857-40	Spray Valve w/ 2.2 GPM Rosespray Outlet
19	001010-40	Washer, Stainless Steel
20	B-KG	Protective Flange
21	013E-72H	72" Flexible Stainless Steel Hose

Product Specifications:

3" Concealed Mixing Faucet w/ 4-Arm Handles, Vacuum Breaker, Check Valves, Protective Flange, 72" Flexible Stainless Steel Hose & Spray Valve w/ 2.2 GPM Rosespray Outlet

Product Compliance:

ASME A112.18.1 / CSA B125.1
NSF 61 - Section 9
NSF 372 (Low Lead Content)
ASSE 1024 (VB)