



T&S BRASS AND BRONZE WORKS, INC.
 2 Saddleback Cove / P.O. Box 1088
 Travelers Rest, SC 29690

Model No.
B-0407-04

Item No.

Travelers Rest, SC: 800-476-4103 • Simi Valley, CA: 800-423-0150 • Fax: 864-834-3518 • www.tsbrass.com

This Space for Architect/Engineer Approval

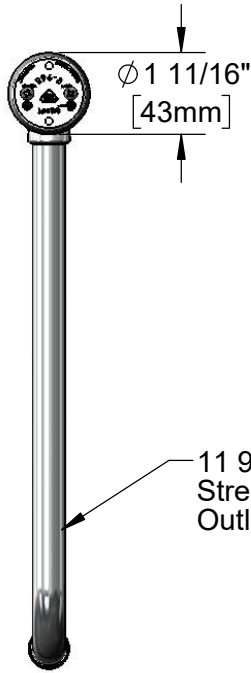
Job Name _____ Date _____

Model Specified _____ Quantity _____

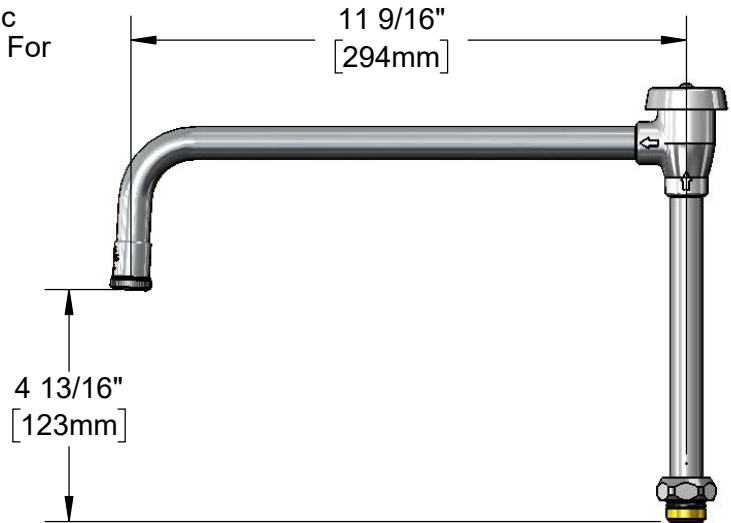
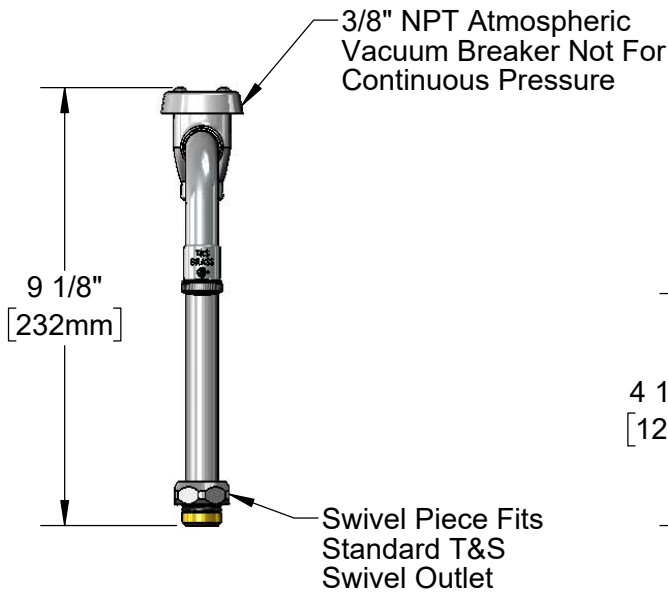
Customer/Wholesaler _____

Contractor _____

Architect/Engineer _____



11 9/16" Nozzle w/
Stream Regulator
Outlet



Product Specifications:
 Vacuum Breaker Swing Nozzle w/ Stream Regulator Outlet and 11 9/16" Spread.

Product Compliance:
 ASME A112.18.1 / CSA B125.1
 NSF 61 - Section 9
 NSF 372 (Low Lead Content)
 ASSE 1001 (VB)



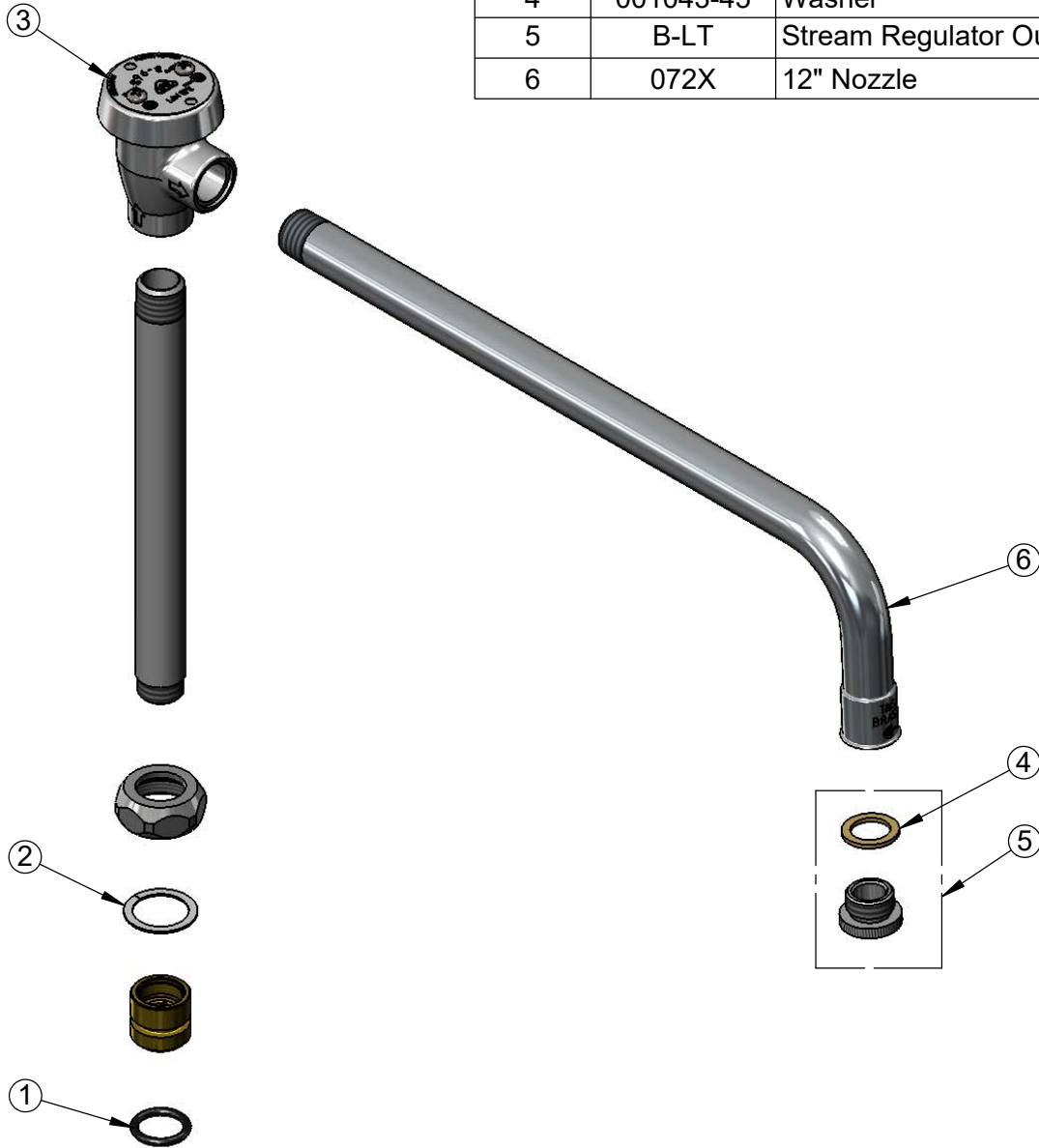
T&S BRASS AND BRONZE WORKS, INC.
 2 Saddleback Cove / P.O. Box 1088
 Travelers Rest, SC 29690

Model No.
B-0407-04

Item No.

Travelers Rest, SC: 800-476-4103 • Simi Valley, CA: 800-423-0150 • Fax: 864-834-3518 • www.tsbrass.com

ITEM NO.	SALES NO.	DESCRIPTION
1	001074-45	O-Ring
2	009538-45	Swivel Washer
3	B-0968	3/8" NPT Vacuum Breaker
4	001043-45	Washer
5	B-LT	Stream Regulator Outlet
6	072X	12" Nozzle



Product Specifications:
 Vacuum Breaker Swing Nozzle w/ Stream Regulator Outlet and 11 9/16" Spread.

Product Compliance:
 ASME A112.18.1 / CSA B125.1
 NSF 61 - Section 9
 NSF 372 (Low Lead Content)
 ASSE 1001 (VB)