



# T&S BRASS AND BRONZE WORKS, INC.

2 Saddleback Cove / P.O. Box 1088  
Travelers Rest, SC 29690

Model No.

**B-0322**

Item No.

Travelers Rest, SC: 800-476-4103 • Simi Valley, CA: 800-423-0150 • Fax: 864-834-3518 • www.tsbrass.com



**ADA Compliant**

This Space for Architect/Engineer Approval

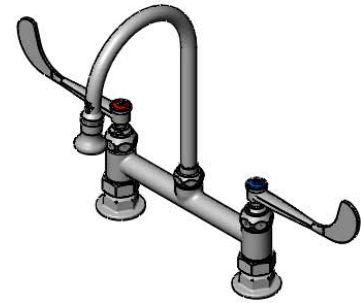
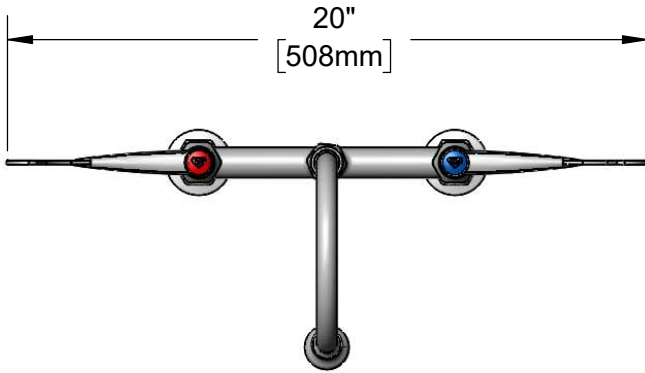
Job Name \_\_\_\_\_ Date \_\_\_\_\_

Model Specified \_\_\_\_\_ Quantity \_\_\_\_\_

Customer/Wholesaler \_\_\_\_\_

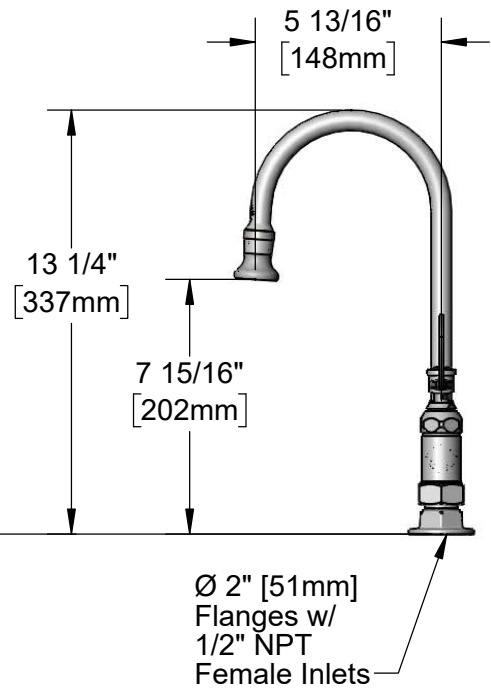
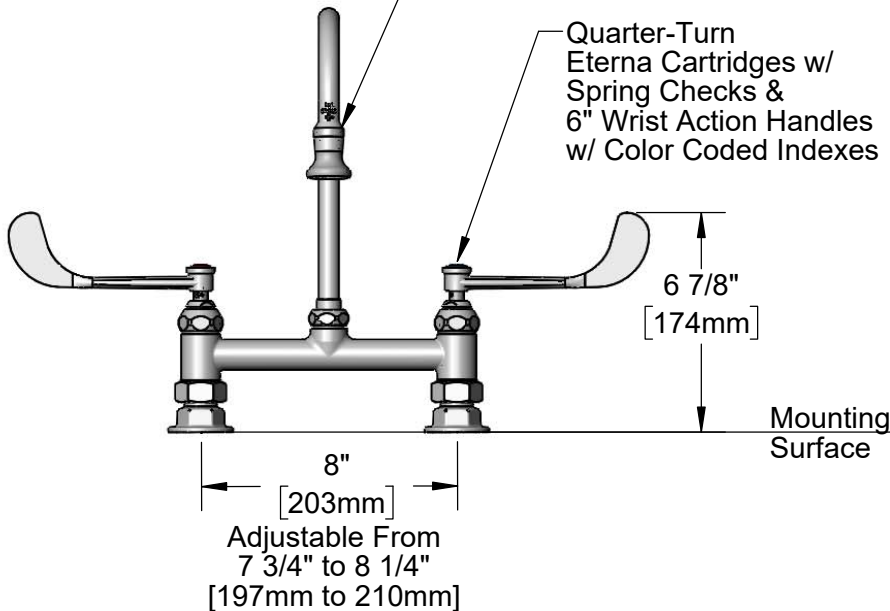
Contractor \_\_\_\_\_

Architect/Engineer \_\_\_\_\_



5 13/16" Swivel  
Gooseneck w/  
2.2 GPM Rosespray Outlet.  
Rigid Conversion Requires  
014200-45 Lock Washer  
(Included)

Quarter-Turn  
Eterna Cartridges w/  
Spring Checks &  
6" Wrist Action Handles  
w/ Color Coded Indexes



**Product Specifications:**

8" Deck Mount Mixing Faucet w/ Quarter-Turn Eterna Cartridges w/ Spring Checks, 6" Wrist Action Handles, 5 13/16" Swivel/Rigid Gooseneck w/ 2.2 GPM Rosespray Outlet & 1/2" NPT Female Inlets

**Product Compliance:**

ASME A112.18.1 / CSA B125.1  
NSF 61 - Section 9  
NSF 372 (Low Lead Content)  
ANSI A117.1 (ADA)



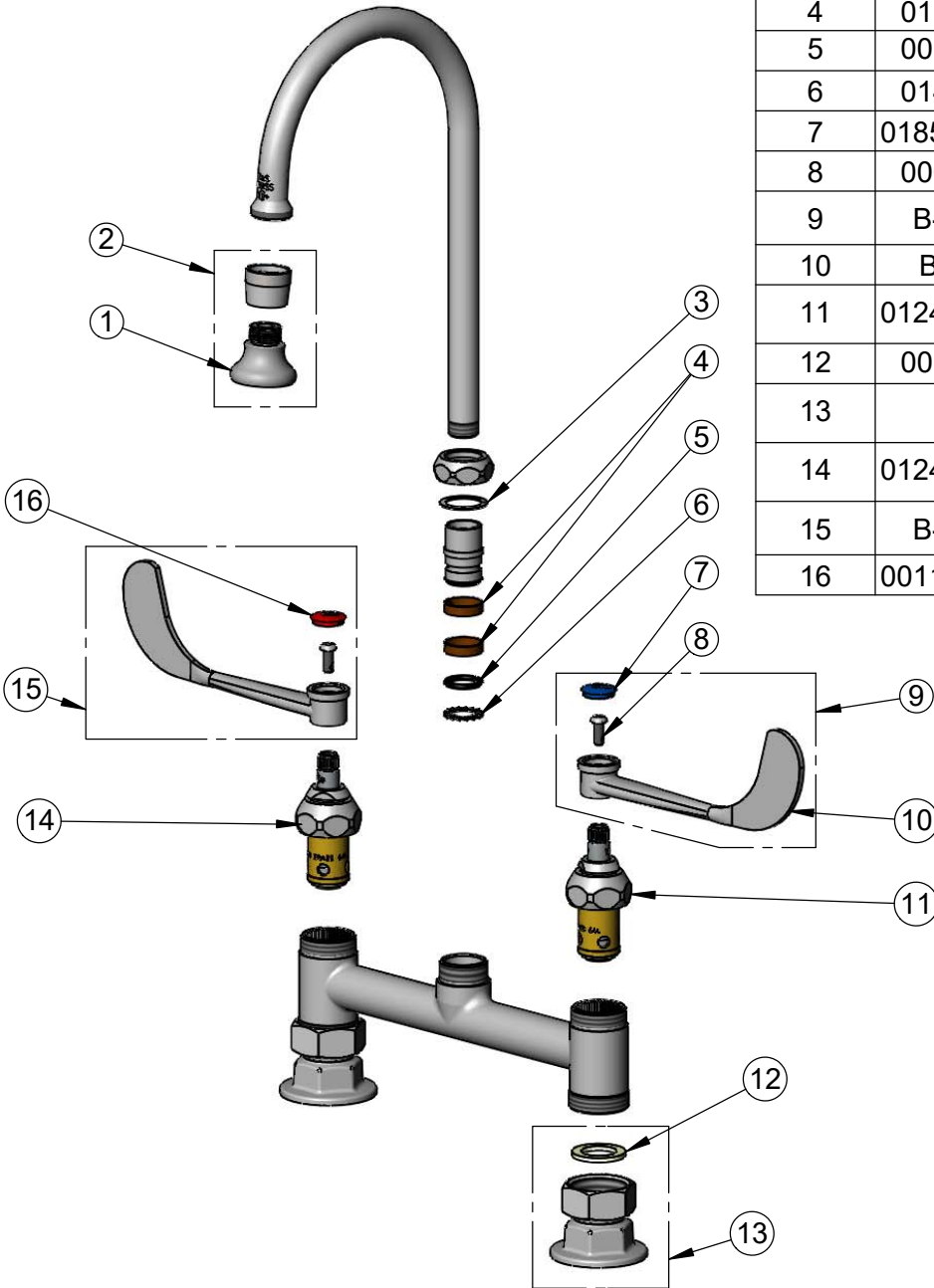
**T&S BRASS AND BRONZE WORKS, INC.**  
 2 Saddleback Cove / P.O. Box 1088  
 Travelers Rest, SC 29690

Model No.  
**B-0322**

Item No.

Travelers Rest, SC: 800-476-4103 • Simi Valley, CA: 800-423-0150 • Fax: 864-834-3518 • www.tsbrass.com

ITEM NO.	SALES NO.	DESCRIPTION
1	B-0103	2.2 GPM Rosespray, 3/8-NPT Male
2	B-0103-01	2.2 GPM Rosespray, 55/64-27 UN Female
3	009538-45	Swivel Washer
4	011429-45	Swivel Sleeves (2)
5	001074-45	O-Ring
6	014200-45	Star Washer, Anti-Rotation
7	018506-19NS	Blue Button Index, Press-in
8	000925-45	Lab Handle Screw
9	B-WH6C	6" Wrist Action Handle, Screw & Cold Index
10	B-WH6	6" Wrist Action Handle
11	012442-40NS	Quarter-Turn Eterna Cartridge w/ Spring Check, LTC
12	001019-45	Coupling Nut Washer
13	00AA	1/2" NPT Female Eccentric Flange
14	012443-40NS	Quarter-Turn Eterna Cartridge w/ Spring Check, RTC
15	B-WH6H	6" Wrist Action Handle, Screw & Hot Index
16	001193-19NS	Red Button Index, Press-in



**Product Specifications:**  
 8" Deck Mount Mixing Faucet w/ Quarter-Turn Eterna Cartridges w/ Spring Checks, 6" Wrist Action Handles, 5 13/16" Swivel/Rigid Gooseneck w/ 2.2 GPM Rosespray Outlet & 1/2" NPT Female Inlets

**Product Compliance:**  
 ASME A112.18.1 / CSA B125.1  
 NSF 61 - Section 9  
 NSF 372 (Low Lead Content)  
 ANSI A117.1 (ADA)