



T&S BRASS AND BRONZE WORKS, INC.
 2 Saddleback Cove / P.O. Box 1088
 Travelers Rest, SC 29690

Model No.
B-0298

Item No.

Travelers Rest, SC: 800-476-4103 • Simi Valley, CA: 800-423-0150 • Fax: 864-834-3518 • www.tsbrass.com



ADA Compliant

This Space for Architect/Engineer Approval

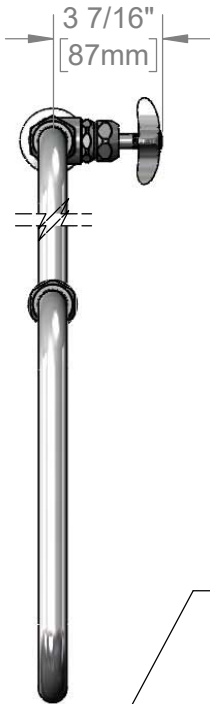
Job Name _____ Date _____

Model Specified _____ Quantity _____

Customer/Wholesaler _____

Contractor _____

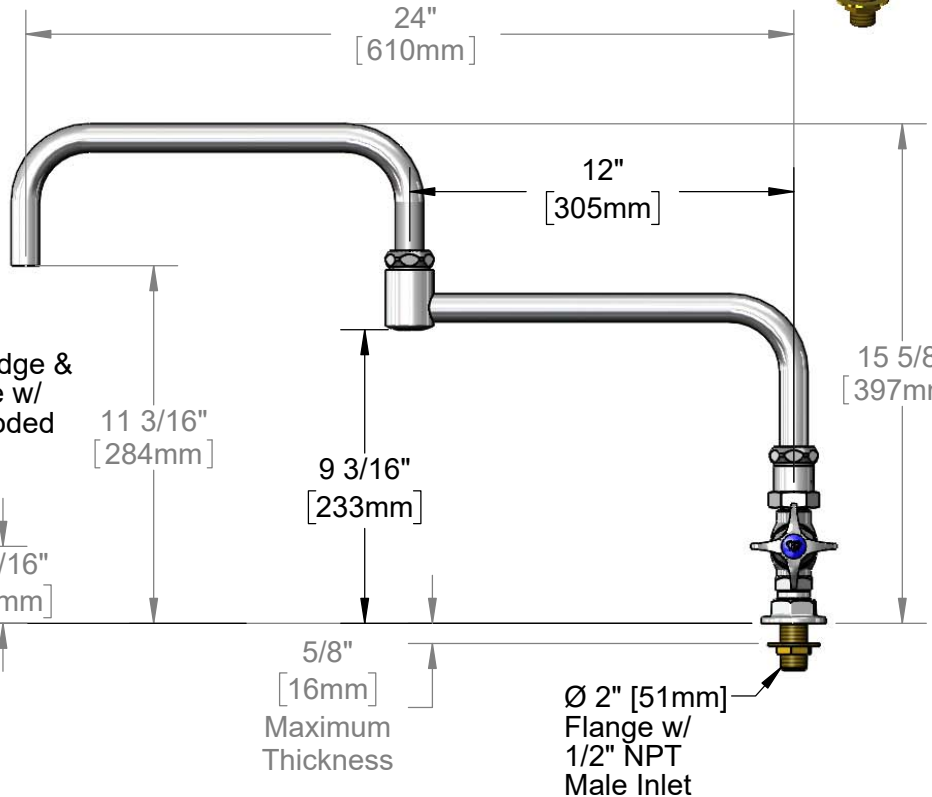
Architect/Engineer _____



3 7/16"
[87mm]



116X
Big-Flo 24" Double Joint
Swing Nozzle w/
Plain End Outlet



Swivel Joint

Big-Flo Cartridge &
4-Arm Handle w/
Blue Color Coded
Index

1 7/16"
[37mm]

Mounting Surface

2 7/16"
[61mm]

Rough-In Requirement:
 Ø 1" [25mm] Mounting Hole

Product Specifications:

Single Hole Single Temperature Big-Flo Faucet, 4-Arm Handle, Big-Flo 24" Double Joint Swing Nozzle & 1/2" NPT Supply Nipple Kit

Product Compliance:

ASME A112.18.1 / CSA B125.1
 NSF 61 - Section 9
 NSF 372 (Low Lead Content)
 ANSI A117.1 (ADA)



T&S BRASS AND BRONZE WORKS, INC.

2 Saddleback Cove / P.O. Box 1088
Travelers Rest, SC 29690

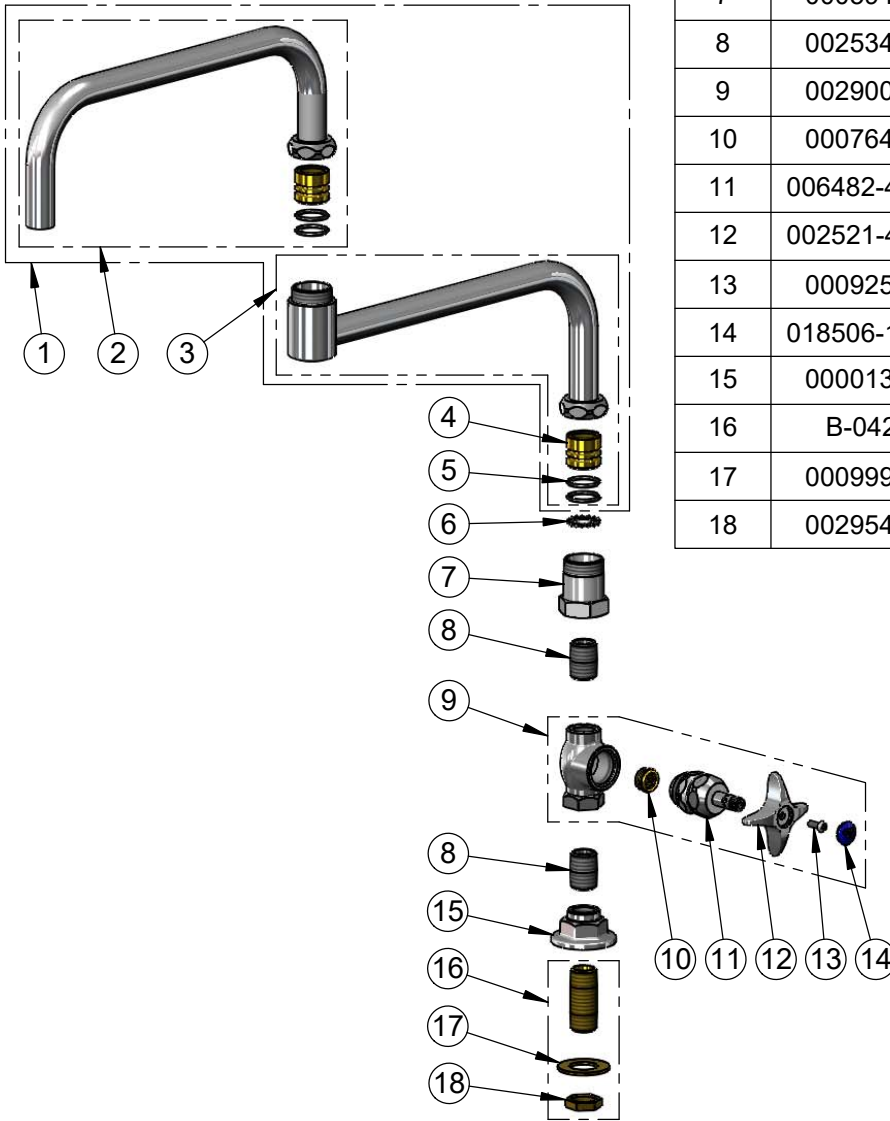
Model No.

B-0298

Item No.

Travelers Rest, SC: 800-476-4103 • Simi Valley, CA: 800-423-0150 • Fax: 864-834-3518 • www.tsbrass.com

ITEM NO.	SALES NO.	DESCRIPTION
1	116X	24" Big-Flo Double Joint Swing Nozzle
2	117X	12" Big-Flo Front Section
3	118X	12" Big-Flo Back Section
4	000847-20	Big-Flo Swivel Piece
5	001068-45	O-ring
6	016807-45	Serrated Lock Washer
7	000594-25	Swivel Body x 1/2-14 NPT
8	002534-25	Close Nipple, 1/2" NPT
9	002900-40	Valve Assembly w/ 4-Arm Handle
10	000764-20	Seat, Big-Flo
11	006482-40NS	Big-Flo Cartridge, RTC
12	002521-45NS	4-Arm Handle (New Style)
13	000925-45	Lab Handle Screw
14	018506-19NS	Blue Button Index, Press-in
15	000013-40	Flange, 1/2" NPT Wall Mount
16	B-0425	1/2" NPT Supply Nipple Kit
17	000999-45	Brass Lock Washer
18	002954-45	Shank Lock Nut



Product Specifications:

Single Hole Single Temperature Big-Flo Faucet, 4-Arm Handle, Big-Flo 24" Double Joint Swing Nozzle & 1/2" NPT Supply Nipple Kit

Product Compliance:

ASME A112.18.1 / CSA B125.1
NSF 61 - Section 9
NSF 372 (Low Lead Content)
ANSI A117.1 (ADA)