



T&S BRASS AND BRONZE WORKS, INC.

2 Saddleback Cove / P.O. Box 1088
Travelers Rest, SC 29690

Model No.

B-0286-LNEZ

Item No.

Travelers Rest, SC: 800-476-4103 • Simi Valley, CA: 800-423-0150 • Fax: 864-834-3518 • www.tsbrass.com



ADA Compliant

This Space for Architect/Engineer Approval

Job Name _____ Date _____

Model Specified _____ Quantity _____

Customer/Wholesaler _____

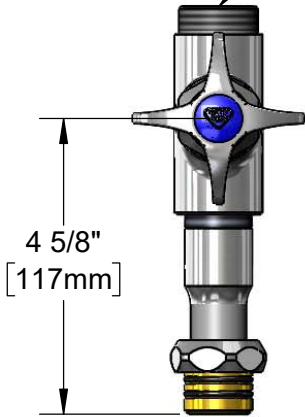
Contractor _____

Architect/Engineer _____



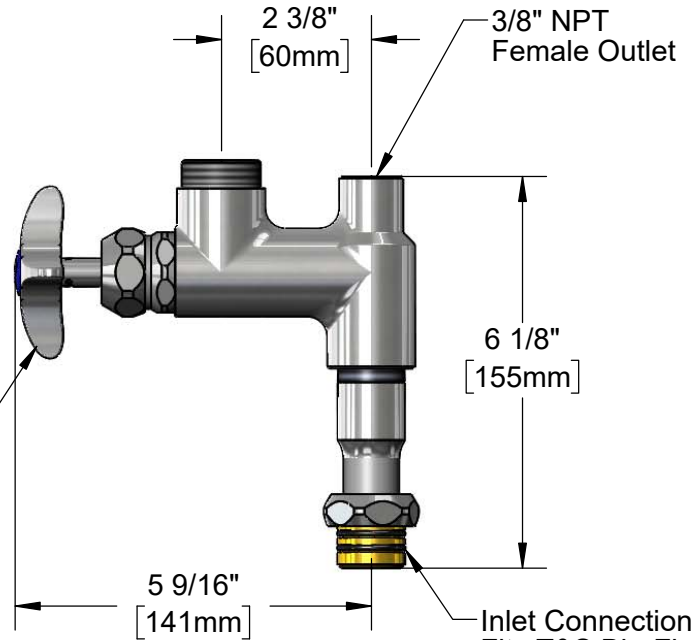
Swivel to Rigid Lock Washer (Included)

Swivel Outlet Accepts T&S Big-Flo Swing Nozzles



4 5/8" [117mm]

Big-Flo Compression Cartridge w/ 4-Arm Handle & Blue Index



2 3/8" [60mm]

3/8" NPT Female Outlet

6 1/8" [155mm]

5 9/16" [141mm]

Inlet Connection Fits T&S Big-Flo Base Faucets (See Note 3)

Notes:

1. Add-On Faucet is an Addition to Big-Flo Pre-Rinse Units and is Installed in Outlets of Base Big-Flo Mixing Faucets of Units Before Fitting Riser Pipes
2. Lever Handle Controls Water On-Off Thru Nozzle Only. Pressure is Always "On" in Riser Pipe (Controlled by Base Mixing Faucet)
3. Place Lock Washer into Base Faucet Outlet & Lubricate O-Rings Prior to Installing Add-On Faucet

Product Specifications:

Big-Flo Add-On Faucet w/ Big-Flo Compression Cartridge & 4-Arm Handle

Product Compliance:

ASME A112.18.1 / CSA B125.1
NSF 61 - Section 9
NSF 372 (Low Lead Content)
ANSI A117.1 (ADA)



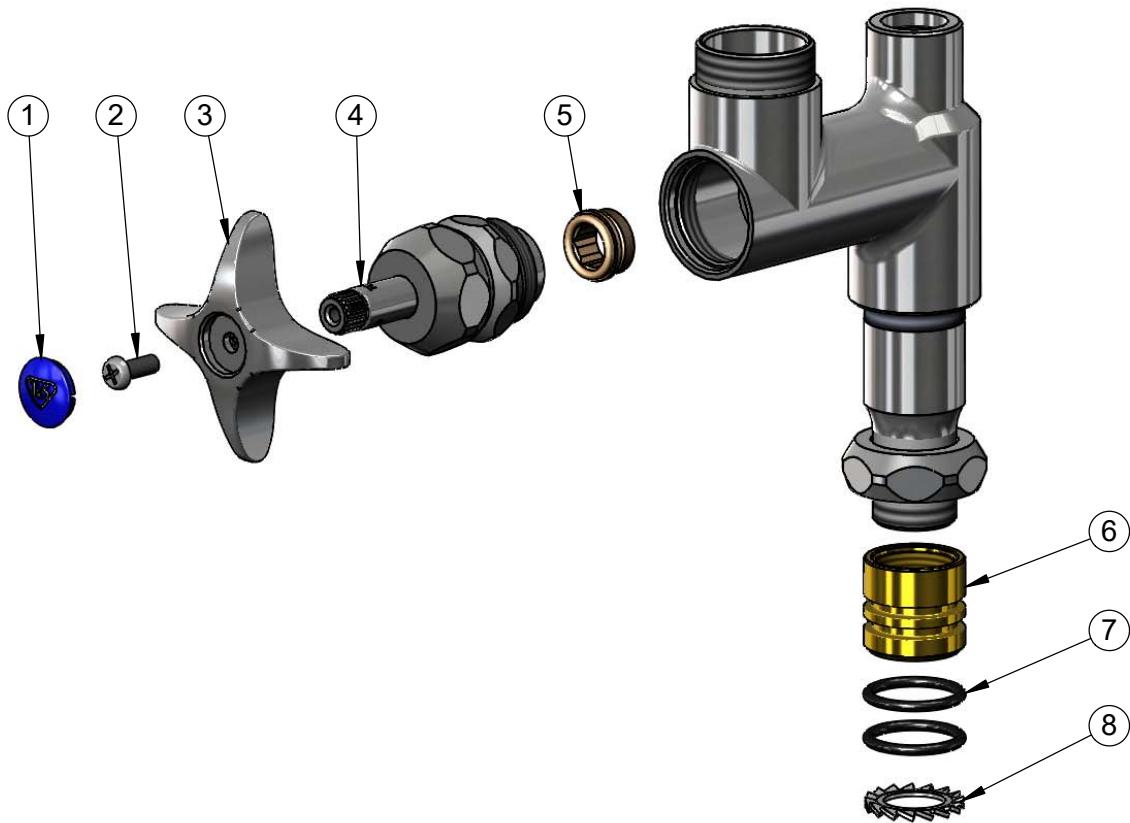
T&S BRASS AND BRONZE WORKS, INC.
 2 Saddleback Cove / P.O. Box 1088
 Travelers Rest, SC 29690

Model No.
B-0286-LNEZ

Item No.

Travelers Rest, SC: 800-476-4103 • Simi Valley, CA: 800-423-0150 • Fax: 864-834-3518 • www.tsbrass.com

ITEM NO.	SALES NO.	DESCRIPTION
1	018506-19NS	Blue Button Index, Press-in
2	000925-45	Lab Handle Screw
3	002521-45NS	4-Arm Handle (New Style)
4	006482-40NS	Big-Flo Cartridge, RTC
5	000764-20	Seat, Big-Flo
6	000847-20	Big-Flo Swivel Piece
7	001068-45	O-ring
8	016807-45	Serrated Lock Washer



Product Specifications:
 Big-Flo Add-On Faucet w/ Big-Flo Compression Cartridge & 4-Arm Handle

Product Compliance:
 ASME A112.18.1 / CSA B125.1
 NSF 61 - Section 9
 NSF 372 (Low Lead Content)
 ANSI A117.1 (ADA)