



T&S BRASS AND BRONZE WORKS, INC.

2 Saddleback Cove / P.O. Box 1088
Travelers Rest, SC 29690

Model No.

B-0235-12FS-35A

Item No.

Travelers Rest, SC: 800-476-4103 • Simi Valley, CA: 800-423-0150 • Fax: 864-834-3518 • www.tsbrass.com

This Space for Architect/Engineer Approval

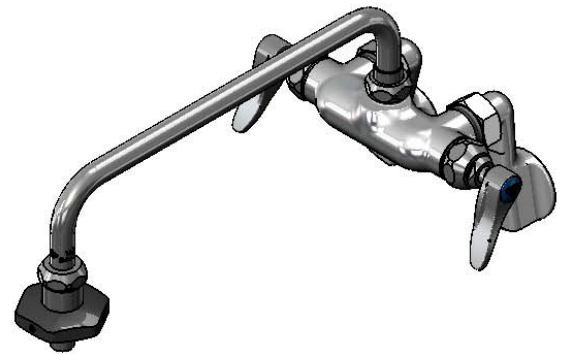
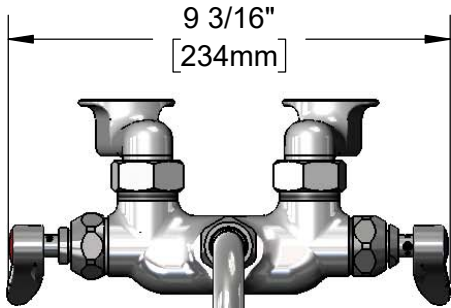
Job Name _____ Date _____

Model Specified _____ Quantity _____

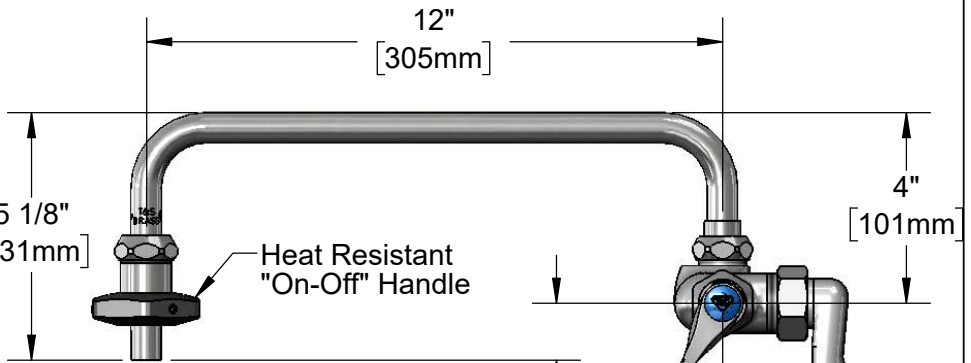
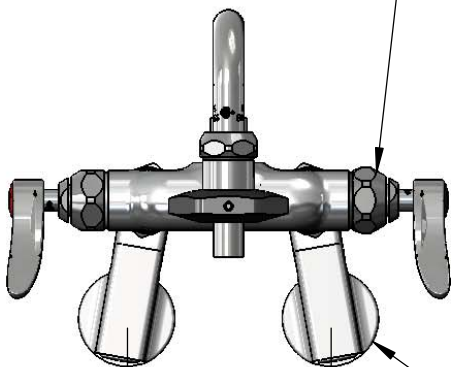
Customer/Wholesaler _____

Contractor _____

Architect/Engineer _____



Quarter-Turn Eterna Cartridges w/ Spring Checks & Lever Handles w/ Color Coded Indexes



Heat Resistant "On-Off" Handle

Adjustable from 2 1/4" to 8 1/4" [57mm to 210mm] Above or Below Centerline

Ø2" [51mm] Wall Flanges w/ 1/2" NPT Female Inlets

1 3/16" [30mm]

3 1/16" [77mm]

Mounting Surface

Product Specifications:

Wall Mount Faucet, Quarter-Turn Eterna Cartridges w/ Spring Checks, Lever Handles, 12" Double Joint Front Section Swing Nozzle w/ Black Heat Resistant "On-Off" Handle Outlet & 1/2" NPT Female Adjustable Arm Inlets

Product Compliance:

ASME A112.18.1 / CSA B125.1
NSF 61 - Section 9
NSF 372 (Low Lead Content)



T&S BRASS AND BRONZE WORKS, INC.

2 Saddleback Cove / P.O. Box 1088
Travelers Rest, SC 29690

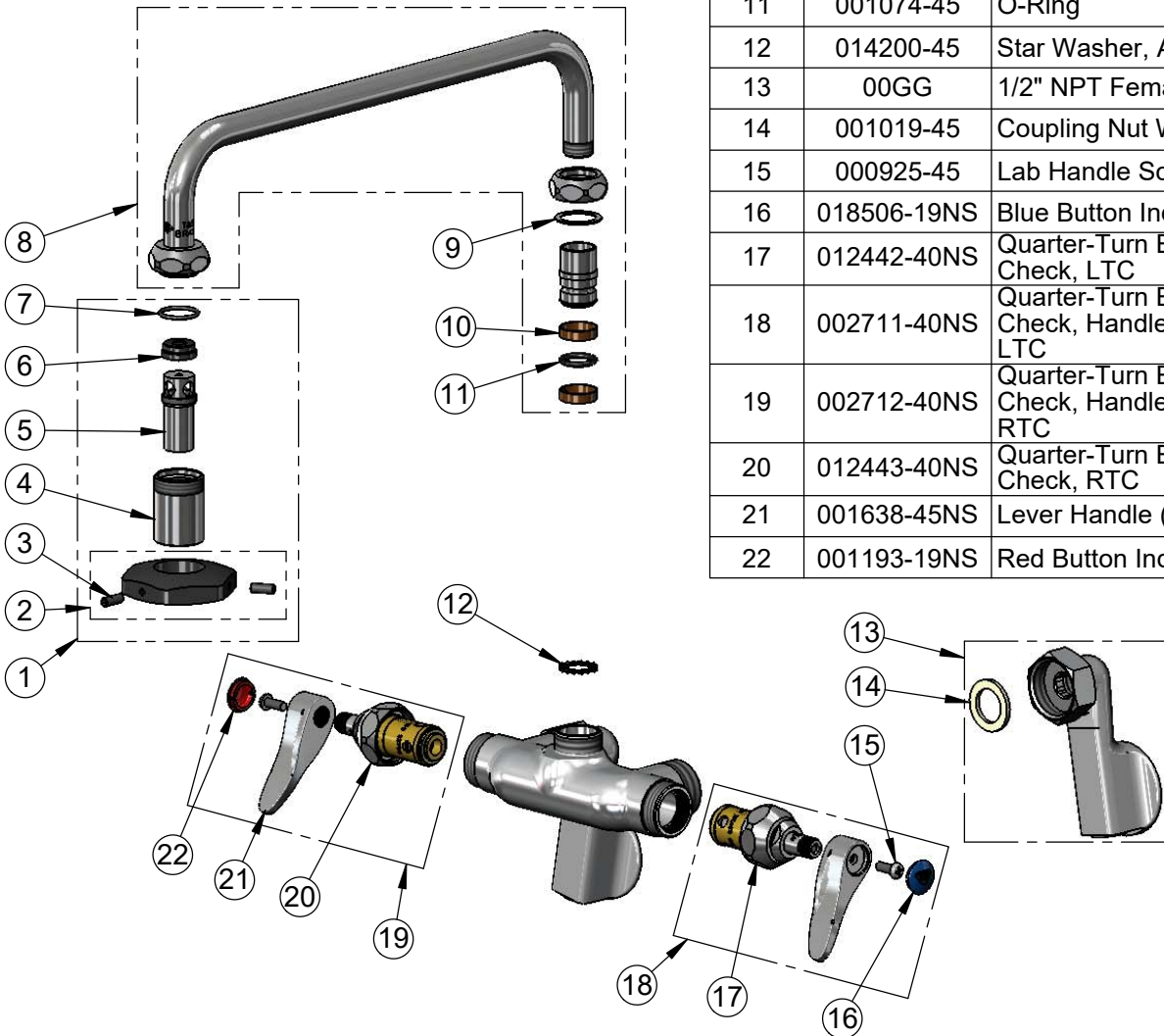
Model No.

B-0235-12FS-35A

Item No.

Travelers Rest, SC: 800-476-4103 • Simi Valley, CA: 800-423-0150 • Fax: 864-834-3518 • www.tsbrass.com

ITEM NO.	SALES NO.	DESCRIPTION
1	035A	On-Off Outlet w/ Heat Resistant Handle
2	001126-20	Heat Resistant Handle w/ Set Screws
3	000936-45	Handle Set Screw
4	000587-25	Spout Body
5	001498-25	Spout
6	001089-45	Seal
7	003426-45	O-Ring
8	002869-40	12" Double Joint Front Section
9	009538-45	Swivel Washer
10	011429-45	Swivel Sleeves (2)
11	001074-45	O-Ring
12	014200-45	Star Washer, Anti-Rotation
13	00GG	1/2" NPT Female Adjustable Arm Flange
14	001019-45	Coupling Nut Washer
15	000925-45	Lab Handle Screw
16	018506-19NS	Blue Button Index, Press-in
17	012442-40NS	Quarter-Turn Eterna Cartridge w/ Spring Check, LTC
18	002711-40NS	Quarter-Turn Eterna Cartridge w/ Spring Check, Handle, Blue Index & Screw, LTC
19	002712-40NS	Quarter-Turn Eterna Cartridge w/ Spring Check, Handle, Red Index & Screw, RTC
20	012443-40NS	Quarter-Turn Eterna Cartridge w/ Spring Check, RTC
21	001638-45NS	Lever Handle (New Style)
22	001193-19NS	Red Button Index, Press-in



Product Specifications:

Wall Mount Faucet, Quarter-Turn Eterna Cartridges w/ Spring Checks, Lever Handles, 12" Double Joint Front Section Swing Nozzle w/ Black Heat Resistant "On-Off" Handle Outlet & 1/2" NPT Female Adjustable Arm Inlets

Product Compliance:

ASME A112.18.1 / CSA B125.1
NSF 61 - Section 9
NSF 372 (Low Lead Content)