



# T&S BRASS AND BRONZE WORKS, INC.

2 Saddleback Cove / P.O. Box 1088  
Travelers Rest, SC 29690

Model No.

**B-0231-EE-A22**

Item No.

Travelers Rest, SC: 800-476-4103 • Simi Valley, CA: 800-423-0150 • Fax: 864-834-3518 • www.tsbrass.com



**ADA Compliant**

This Space for Architect/Engineer Approval

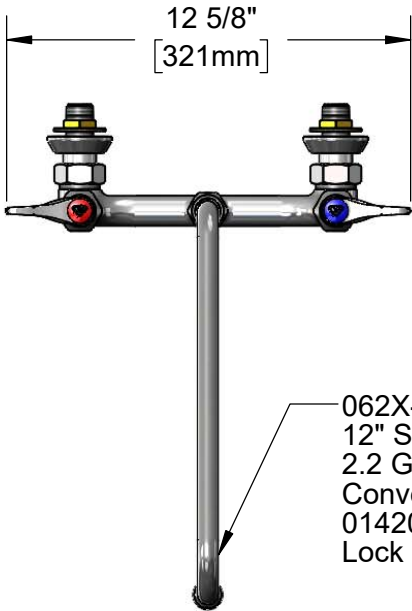
Job Name \_\_\_\_\_ Date \_\_\_\_\_

Model Specified \_\_\_\_\_ Quantity \_\_\_\_\_

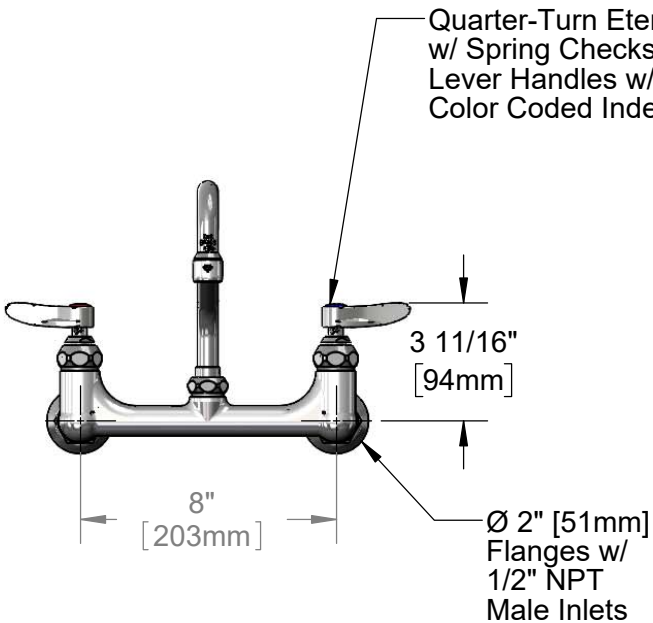
Customer/Wholesaler \_\_\_\_\_

Contractor \_\_\_\_\_

Architect/Engineer \_\_\_\_\_

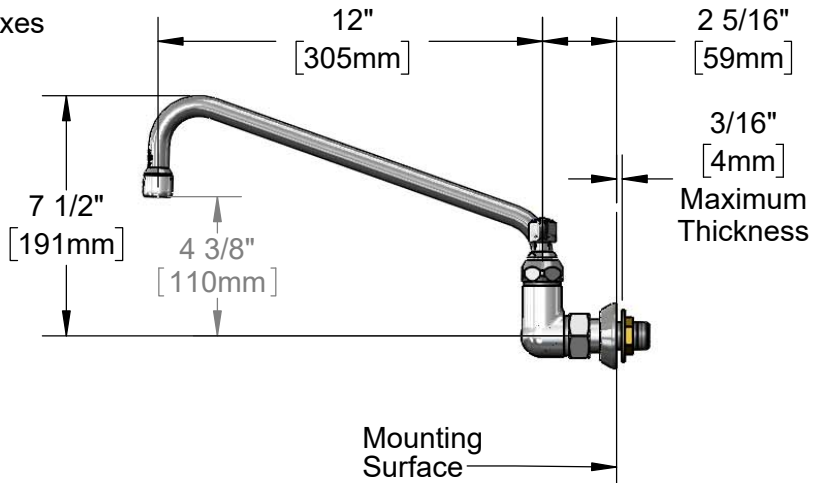


062X-A22  
12" Swing Nozzle w/  
2.2 GPM Aerator  
Converts to Rigid w/  
014200-45  
Lock Washer (Included).



Quarter-Turn Eterna Cartridges  
w/ Spring Checks &  
Lever Handles w/  
Color Coded Indexes

Ø 2" [51mm]  
Flanges w/  
1/2" NPT  
Male Inlets



**Rough-In Requirement:**  
(2) Ø 1" [25mm] Mounting Holes

**Product Specifications:**  
8" Wall Mount Mixing Faucet, Quarter-Turn Eterna Cartridges w/ Spring Checks, Lever Handles, 12" Swing Nozzle w/ 2.2 GPM Aerator & 1/2" NPT Male Inlets

**Product Compliance:**  
ASME A112.18.1 / CSA B125.1  
NSF 61 - Section 9  
NSF 372 (Low Lead Content)  
ANSI A117.1 (ADA)

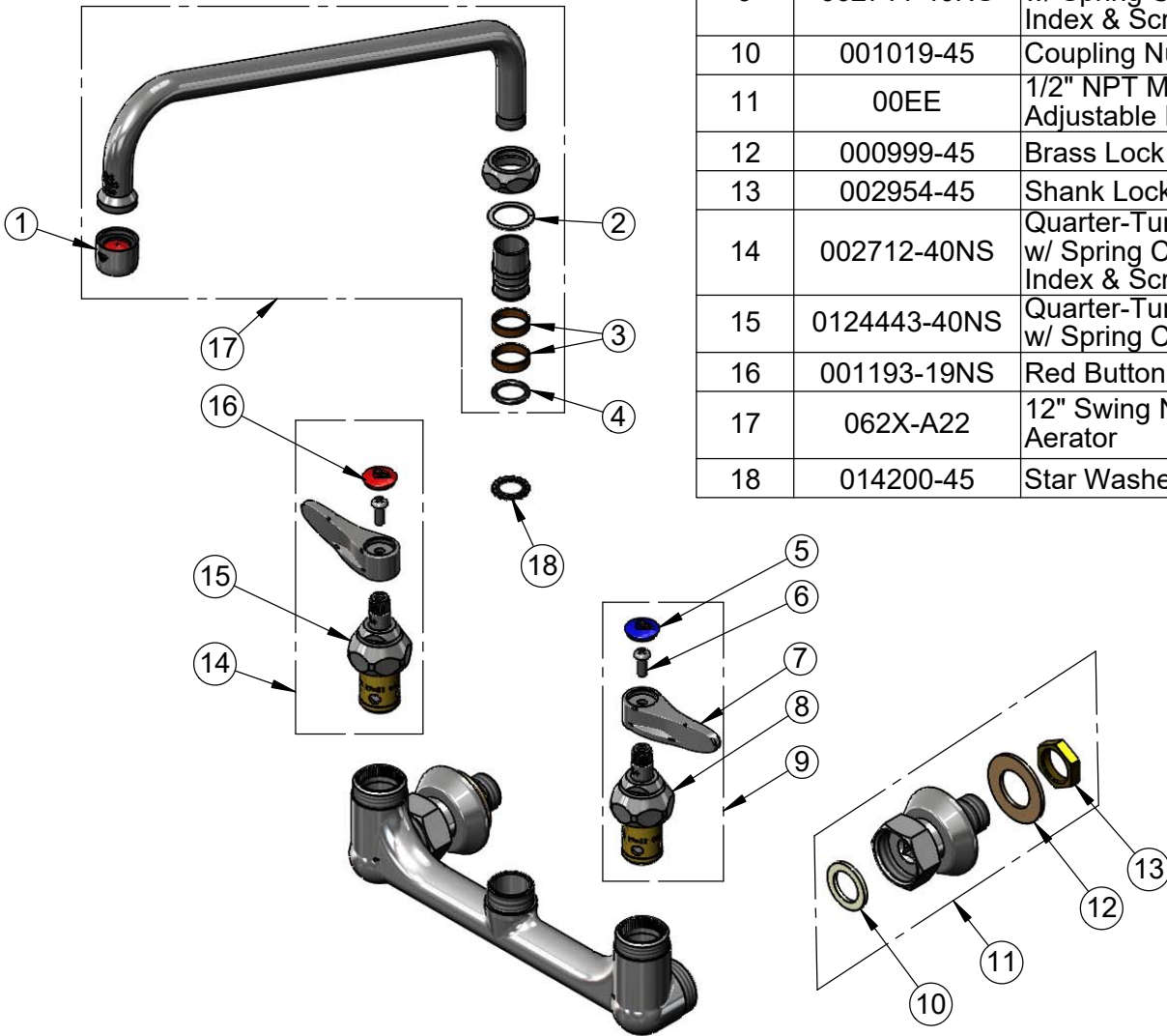


**T&S BRASS AND BRONZE WORKS, INC.**  
 2 Saddleback Cove / P.O. Box 1088  
 Travelers Rest, SC 29690

Model No.  
**B-0231-EE-A22**  
 Item No.

Travelers Rest, SC: 800-476-4103 • Simi Valley, CA: 800-423-0150 • Fax: 864-834-3518 • www.tsbrass.com

| ITEM NO. | SALES NO.    | DESCRIPTION  |
|----------|--------------|--|
| 1        | B-0199-01    | 2.2 GPM Aerator, 55/64"-27 UN Female   |
| 2        | 009538-45    | Swivel Washer  |
| 3        | 011429-45    | Swivel Sleeves (2)   |
| 4        | 001074-45    | O-Ring   |
| 5        | 018506-19NS  | Blue Button Index, Press-in  |
| 6        | 000925-45    | Lab Handle Screw   |
| 7        | 001638-45NS  | Lever Handle (New Style)   |
| 8        | 012442-40NS  | Quarter-Turn Eterna Cartridge w/ Spring Check, LTC                             |
| 9        | 002711-40NS  | Quarter-Turn Eterna Cartridge w/ Spring Check, Handle, Blue Index & Screw, LTC |
| 10       | 001019-45    | Coupling Nut Washer  |
| 11       | 00EE         | 1/2" NPT Male Inlet w/ Adjustable Flange                                       |
| 12       | 000999-45    | Brass Lock Washer  |
| 13       | 002954-45    | Shank Lock Nut   |
| 14       | 002712-40NS  | Quarter-Turn Eterna Cartridge w/ Spring Check, Handle, Red Index & Screw, RTC  |
| 15       | 0124443-40NS | Quarter-Turn Eterna Cartridge w/ Spring Check, RTC                             |
| 16       | 001193-19NS  | Red Button Index, Press-in   |
| 17       | 062X-A22     | 12" Swing Nozzle w/ 2.2 GPM Aerator  |
| 18       | 014200-45    | Star Washer, Anti-Rotation   |



**Product Specifications:**  
 8" Wall Mount Mixing Faucet, Quarter-Turn Eterna Cartridges w/ Spring Checks, Lever Handles, 12" Swing Nozzle w/ 2.2 GPM Aerator & 1/2" NPT Male Inlets

**Product Compliance:**  
 ASME A112.18.1 / CSA B125.1  
 NSF 61 - Section 9  
 NSF 372 (Low Lead Content)  
 ANSI A117.1 (ADA)