



T&S BRASS AND BRONZE WORKS, INC.

2 Saddleback Cove / P.O. Box 1088
Travelers Rest, SC 29690

Model No.

B-0230-135X-WH4

Item No.

Travelers Rest, SC: 800-476-4103 • Simi Valley, CA: 800-423-0150 • Fax: 864-834-3518 • www.tsbrass.com



ADA Compliant

This Space for Architect/Engineer Approval

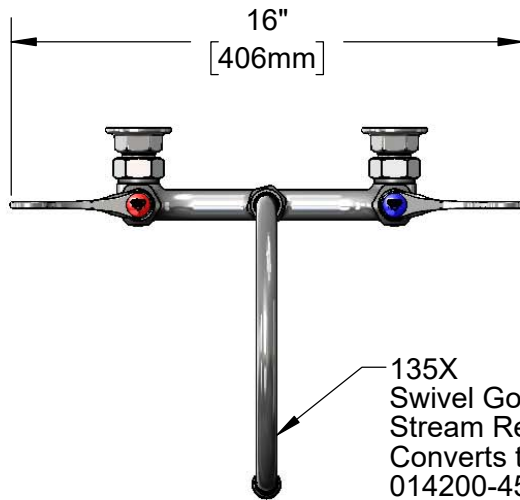
Job Name _____ Date _____

Model Specified _____ Quantity _____

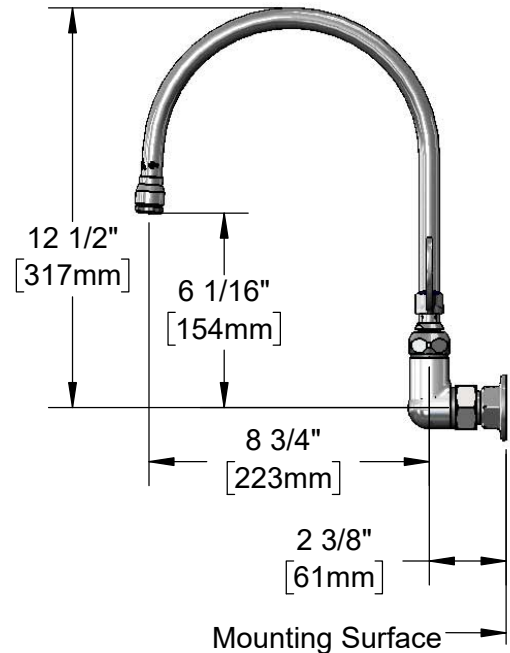
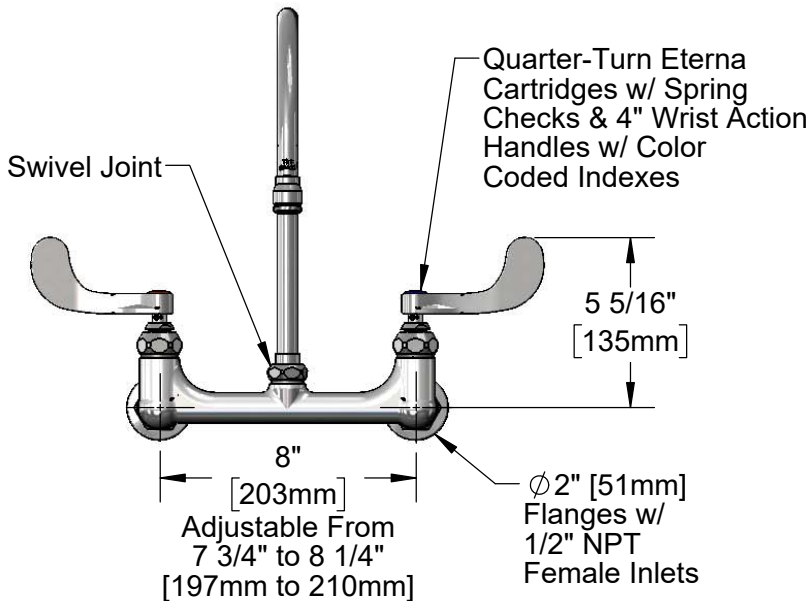
Customer/Wholesaler _____

Contractor _____

Architect/Engineer _____



135X
Swivel Gooseneck w/
Stream Regulator Outlet.
Converts to Rigid w/
014200-45 Lock Washer
(Included)



Product Specifications:

8" Wall Mount Mixing Faucet, Quarter-Turn Eterna Cartridges w/ Spring Checks, 4" Wrist Action Handles, 8 3/4" Swivel Gooseneck & 1/2" NPT Female Inlets

Product Compliance:

ASME A112.18.1 / CSA B125.1
NSF 61 - Section 9
NSF 372 (Low Lead Content)
ANSI A117.1 (ADA)



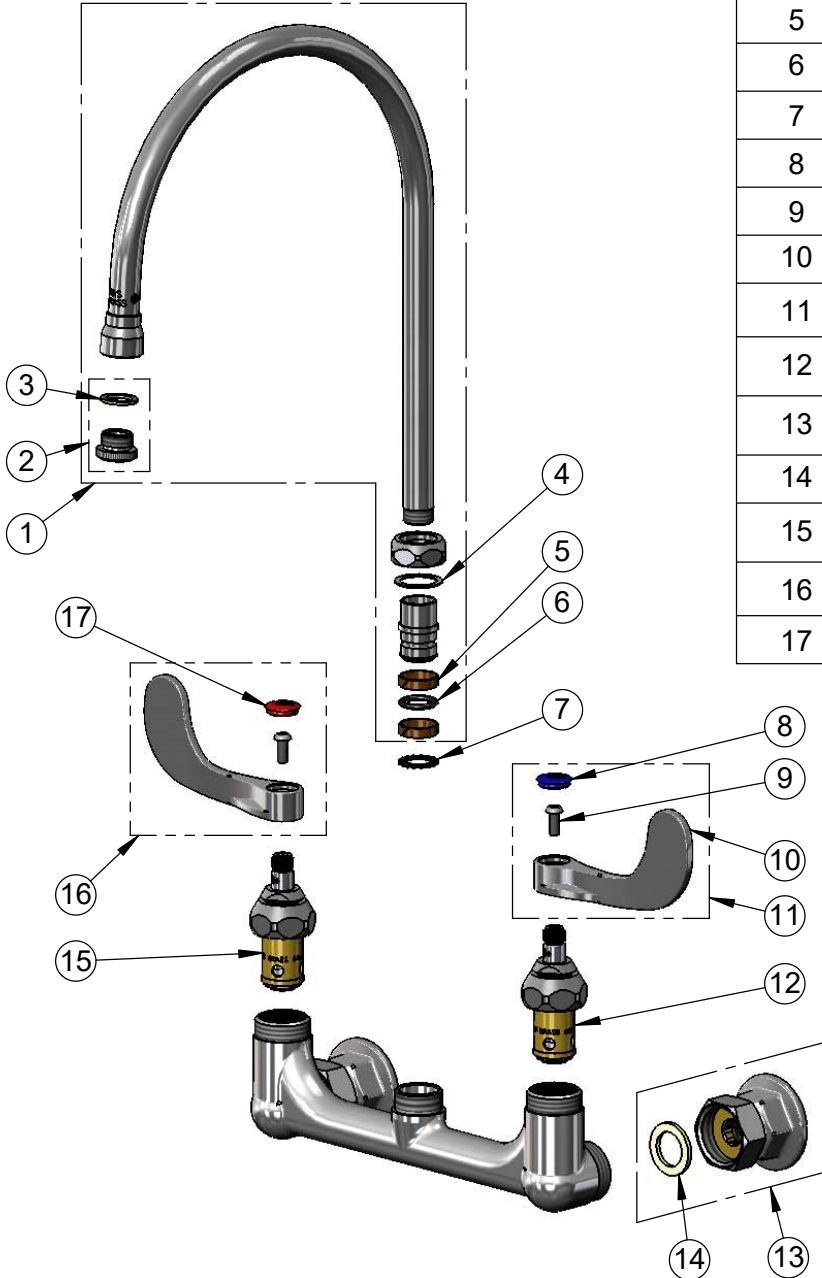
T&S BRASS AND BRONZE WORKS, INC.
 2 Saddleback Cove / P.O. Box 1088
 Travelers Rest, SC 29690

Model No.
B-0230-135X-WH4

Item No.

Travelers Rest, SC: 800-476-4103 • Simi Valley, CA: 800-423-0150 • Fax: 864-834-3518 • www.tsbrass.com

ITEM NO.	SALES NO.	DESCRIPTION
1	135X	8 3/4" Swivel Gooseneck
2	B-LT	Stream Regulator Outlet
3	001043-45	Washer
4	009538-45	Swivel Washer
5	011429-45	Swivel Sleeves (2)
6	001074-45	O-Ring
7	014200-45	Star Washer, Anti-Rotation
8	018506-19NS	Blue Button Index, Press-in
9	000925-45	Lab Handle Screw
10	B-WH4-NS	Wrist Action Handle (New Style)
11	B-WH4C-NS	Wrist Action Handle, Blue Index & Screw
12	012442-40NS	Quarter-Turn Eterna Cartridge w/ Spring Check, LTC
13	00AA	1/2" NPT Female Eccentric Flange
14	001019-45	Coupling Nut Washer
15	012443-40NS	Quarter-Turn Eterna Cartridge w/ Spring Check, RTC
16	B-WH4H-NS	Wrist Action Handle, Red Index & Screw
17	001193-19NS	Red Button Index, Press-in



Product Specifications:
 8" Wall Mount Mixing Faucet, Quarter-Turn Eterna Cartridges w/ Spring Checks, 4" Wrist Action Handles, 8 3/4" Swivel Gooseneck & 1/2" NPT Female Inlets

Product Compliance:
 ASME A112.18.1 / CSA B125.1
 NSF 61 - Section 9
 NSF 372 (Low Lead Content)
 ANSI A117.1 (ADA)