



T&S BRASS AND BRONZE WORKS, INC.

2 Saddleback Cove / P.O. Box 1088
Travelers Rest, SC 29690

Model No.

B-0205-E133X4V5

Item No.

Travelers Rest, SC: 800-476-4103 • Simi Valley, CA: 800-423-0150 • Fax: 864-834-3518 • www.tsbrass.com



ADA Compliant

This Space for Architect/Engineer Approval

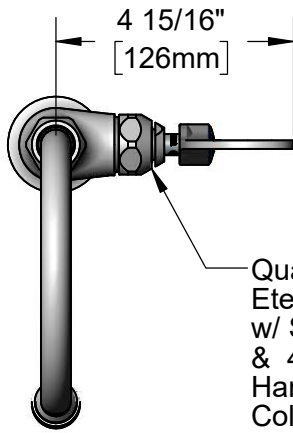
Job Name _____ Date _____

Model Specified _____ Quantity _____

Customer/Wholesaler _____

Contractor _____

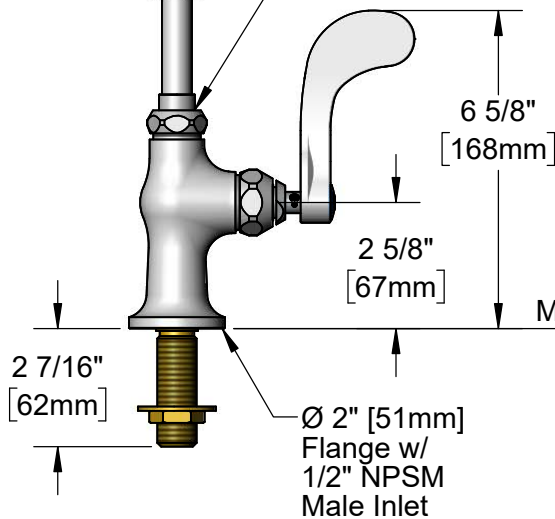
Architect/Engineer _____



Quarter-Turn
Eterna Cartridge
w/ Spring Check
& 4" Wrist Action
Handle w/ Blue
Color Coded Index

Swivel Gooseneck w/
B-0199-06-N05
VR 0.5 GPM Non-Aerated
Spray Device. Converts to
Rigid w/ 014200-45 Lock
Washer (Included)

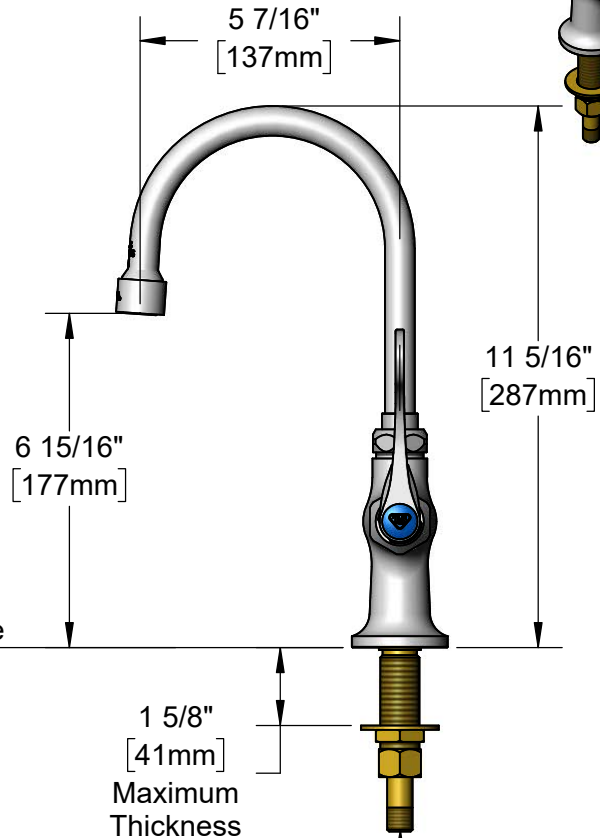
Swivel Joint



2 7/16"
[62mm]

Ø 2" [51mm]
Flange w/
1/2" NPSM
Male Inlet

Mounting Surface



5 7/16"
[137mm]

6 15/16"
[177mm]

11 5/16"
[287mm]

1 5/8"
[41mm]
Maximum
Thickness

150A
Optional Tailpiece
& Nut for 1/4" NPT
Connection (Included)



015425-45
Vandal Resistant
Key (Included)

Rough-In Requirement:
Ø 1" [25mm] Mounting Hole

Product Specifications:

Single Hole Single Temperature Deck Mount Faucet, Quarter-Turn Eterna Cartridge w/ Spring Check, 4" Wrist Action Handle, 5 7/16" Swivel Gooseneck w/ VR 0.5 GPM Non-Aerated Spray Device & 1/2" NPSM Male Inlet

Product Compliance:

ASME A112.18.1 / CSA B125.1
NSF 61 - Section 9
NSF 372 (Low Lead Content)
ANSI A117.1 (ADA)

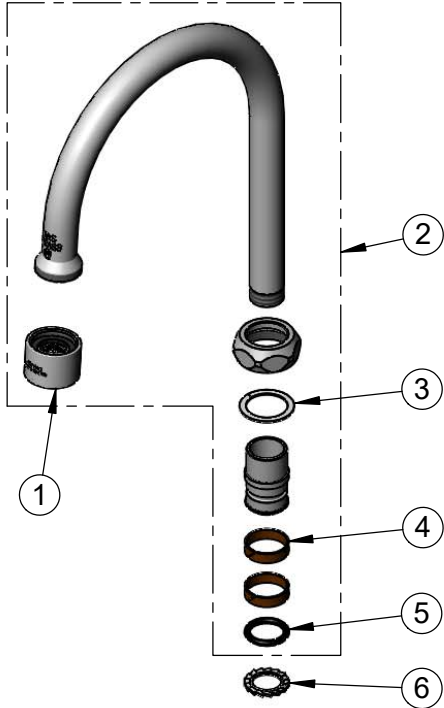


T&S BRASS AND BRONZE WORKS, INC.
 2 Saddleback Cove / P.O. Box 1088
 Travelers Rest, SC 29690

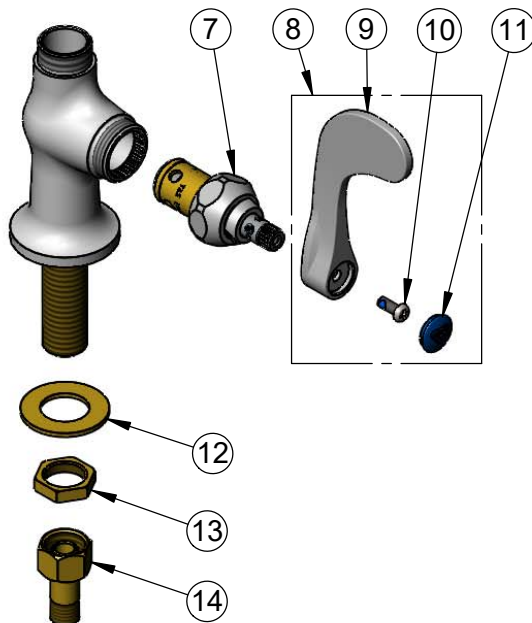
Model No.
B-0205-E133X4V5

Item No.

Travelers Rest, SC: 800-476-4103 • Simi Valley, CA: 800-423-0150 • Fax: 864-834-3518 • www.tsbrass.com



ITEM NO.	SALES NO.	DESCRIPTION
1	B-0199-06-N05	VR 0.5 GPM Non-Aerated Spray Device, 55/64-27 UN Female w/ Key
2	019283-40	5 7/16" Swivel Gooseneck w/ VR 0.5 GPM Non-Aerated Spray Device
3	009538-45	Swivel Washer
4	011429-45	Swivel Sleeves (2)
5	001074-45	O-Ring
6	014200-45	Star Washer, Anti-Rotation
7	012443-40NS	Quarter-Turn Eterna Cartridge w/ Spring Check, RTC
8	B-WH4C-NS	4" Wrist-Action Handle, Screw & Blue Index
9	B-WH4-NS	Wrist Action Handle - New Style
10	000925-45	Lab Handle Screw
11	018506-19NS	Blue Button Index, Press-in
12	000999-45	Brass Lock Washer
13	002954-45	Shank Lock Nut
14	150A	1/4" NPT Tailpiece & Nut



015425-45
 Vandal Resistant
 Key (Included)

Product Specifications:
 Single Hole Single Temperature Deck Mount Faucet, Quarter-Turn Eterna Cartridge w/ Spring Check, 4" Wrist Action Handle, 5 7/16" Swivel Gooseneck w/ VR 0.5 GPM Non-Aerated Spray Device & 1/2" NPSM Male Inlet

Product Compliance:
 ASME A112.18.1 / CSA B125.1
 NSF 61 - Section 9
 NSF 372 (Low Lead Content)
 ANSI A117.1 (ADA)