



T&S BRASS AND BRONZE WORKS, INC.

2 Saddleback Cove / P.O. Box 1088
Travelers Rest, SC 29690

Model No.

B-0205-60H-VB

Item No.

Travelers Rest, SC: 800-476-4103 • Simi Valley, CA: 800-423-0150 • Fax: 864-834-3518 • www.tsbrass.com

This Space for Architect/Engineer Approval

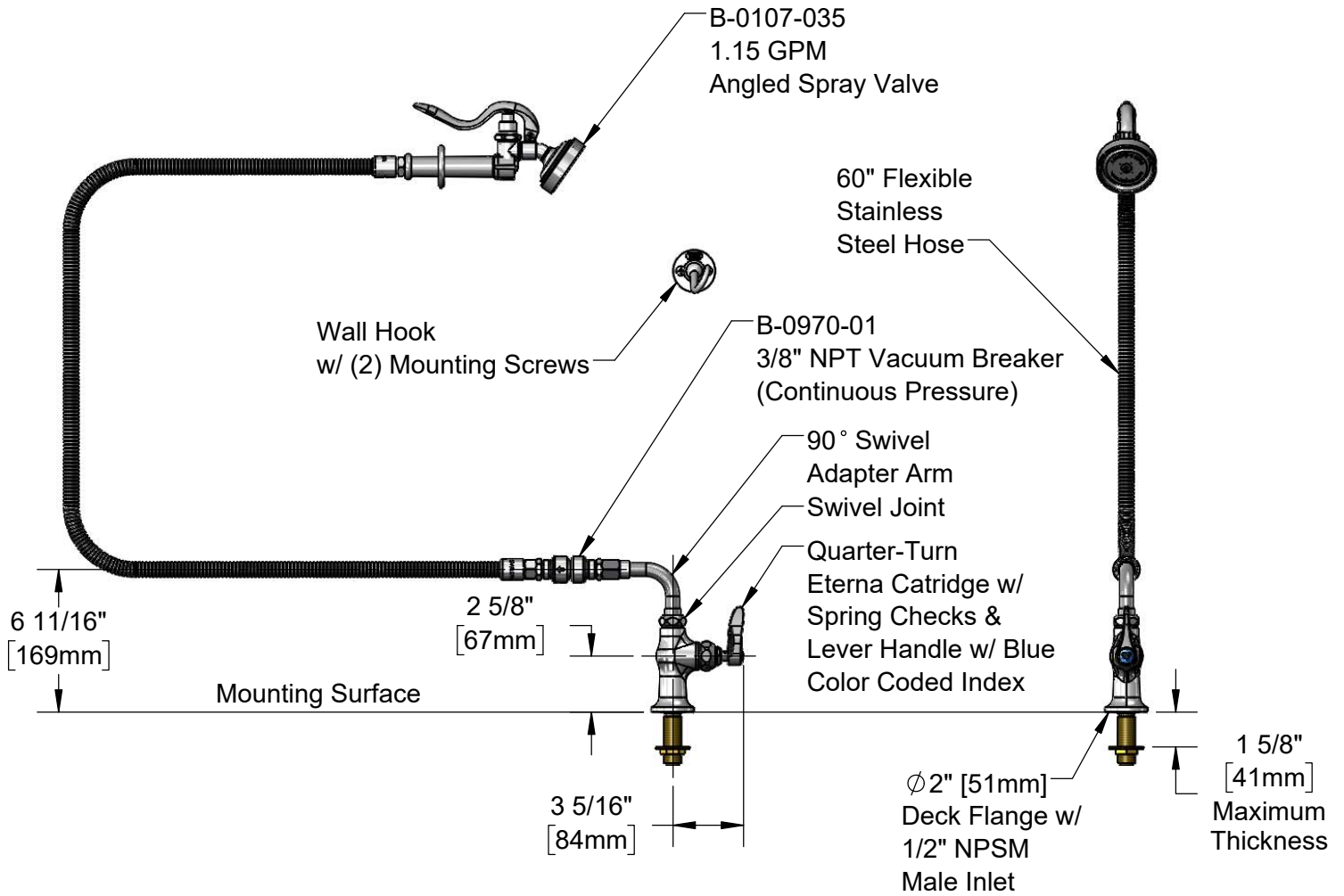
Job Name _____ Date _____

Model Specified _____ Quantity _____

Customer/Wholesaler _____

Contractor _____

Architect/Engineer _____



Product Specifications:

Single Hole Single Temperature Deck Mount Faucet, Quarter-Turn Eterna Cartridge w/ Spring Check, Lever Handle, 90° Swivel Adapter, 60" Flexible Stainless Steel Hose, 1.15 GPM Angled Spray Valve, 3/8" NPT Vacuum Breaker, Wall Hook & 1/2" NPSM Male Inlet

Product Compliance:

ASME A112.18.1 / CSA B125.1
NSF 61 - Section 9
NSF 372 (Low Lead Content)
2019 DOE PRSV - Class II
CSA B64.8



T&S BRASS AND BRONZE WORKS, INC.

2 Saddleback Cove / P.O. Box 1088
Travelers Rest, SC 29690

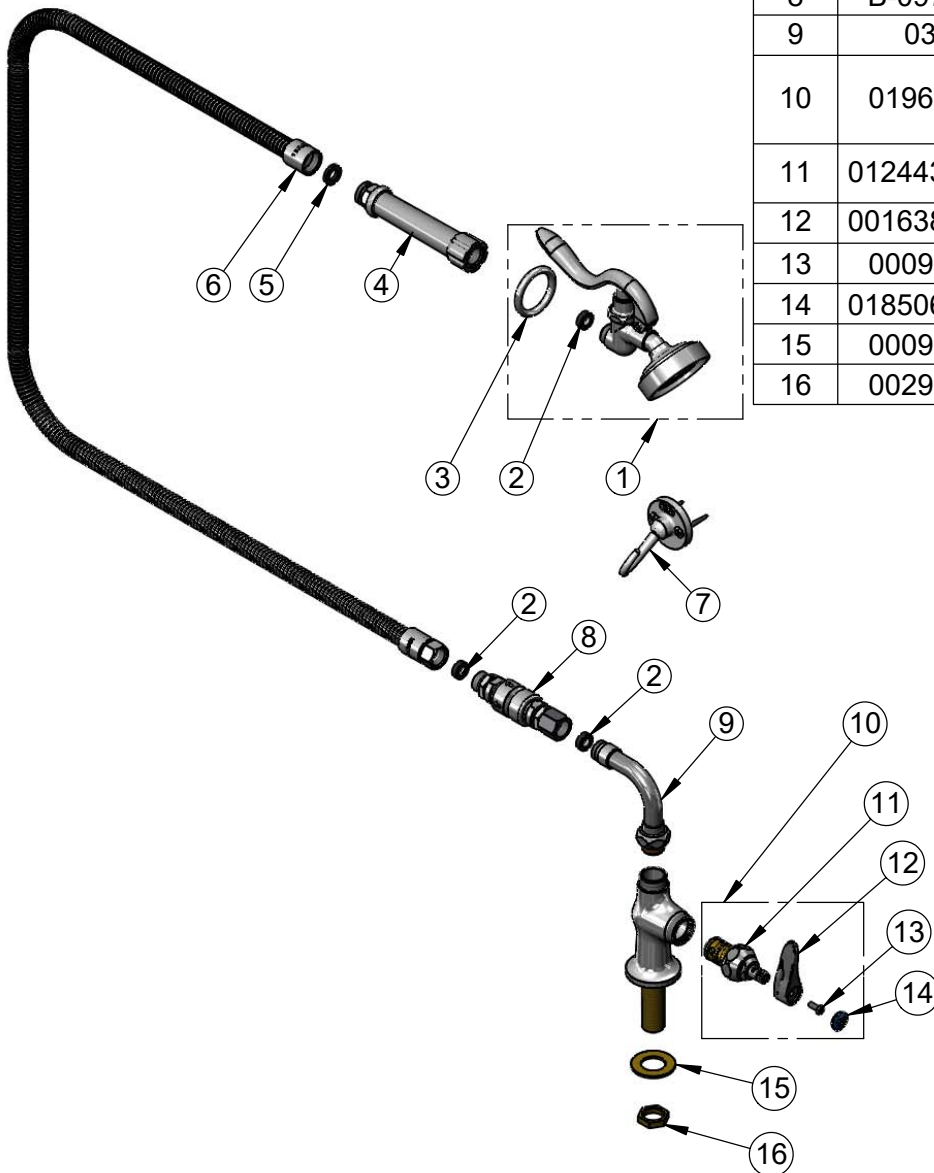
Model No.

B-0205-60H-VB

Item No.

Travelers Rest, SC: 800-476-4103 • Simi Valley, CA: 800-423-0150 • Fax: 864-834-3518 • www.tsbrass.com

| ITEM NO. | SALES NO. | DESCRIPTION |
|----------|-------------|---|
| 1 | B-0107-035 | 1.15 GPM Angled Spray Valve |
| 2 | 010476-45 | #27 Washer |
| 3 | 000907-45 | Spray Valve Hold Down Ring |
| 4 | 002987-40 | Grip Handle |
| 5 | 001014-45 | Washer, B-0100 Hose Barrel |
| 6 | B-0060-H2A | 60" Flexible Stainless Steel Hose, Less Handle |
| 7 | B-0104-D | Dummy Wall Hook |
| 8 | B-0970-FE | 3/8" NPT Vacuum Breaker |
| 9 | 034A | 90° Swivel Adapter Arm |
| 10 | 019639-40 | Quarter-Turn Eterna Cartridge RTC w/ Spring Check, Handle, Blue Index & Screw |
| 11 | 012443-40NS | Quarter-Turn Eterna Cartridge w/ Spring Check, RTC |
| 12 | 001638-45NS | Lever Handle (New Style) |
| 13 | 000925-45 | Lab Handle Screw |
| 14 | 018506-19NS | Blue Button Index, Press-in |
| 15 | 000999-45 | Brass Lock Washer |
| 16 | 002954-45 | Shank Lock Nut |



Product Specifications:

Single Hole Single Temperature Deck Mount Faucet, Quarter-Turn Eterna Cartridge w/ Spring Check, Lever Handle, 90° Swivel Adapter, 60" Flexible Stainless Steel Hose, 1.15 GPM Angled Spray Valve, 3/8" NPT Vacuum Breaker, Wall Hook & 1/2" NPSM Male Inlet

Product Compliance:

ASME A112.18.1 / CSA B125.1
NSF 61 - Section 9
NSF 372 (Low Lead Content)
2019 DOE PRSV - Class II
CSA B64.8