



T&S BRASS AND BRONZE WORKS, INC.

2 Saddleback Cove / P.O. Box 1088
Travelers Rest, SC 29690

Model No.

B-0199-08-F10

Item No.

Travelers Rest, SC: 800-476-4103 • Simi Valley, CA: 800-423-0150 • Fax: 864-834-3518 • www.tsbrass.com

This Space for Architect/Engineer Approval

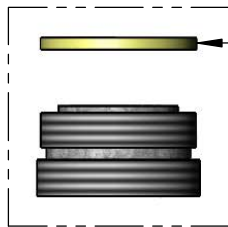
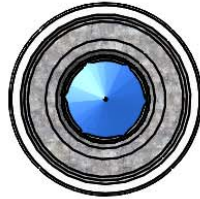
Job Name _____ Date _____

Model Specified _____ Quantity _____

Customer/Wholesaler _____

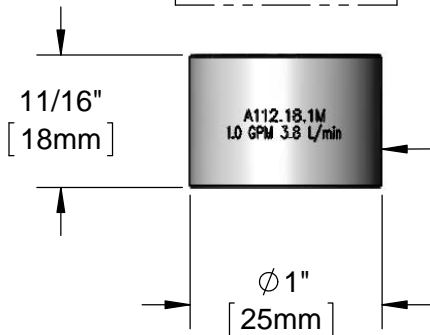
Contractor _____

Architect/Engineer _____

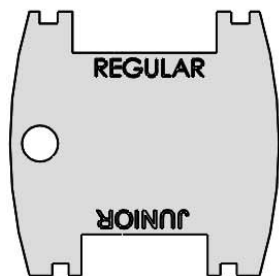
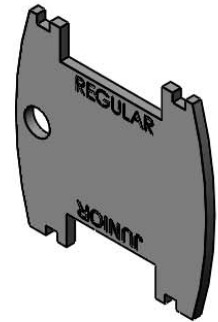


001048-45
Washer

001651-47
Aerator Adapter
55/64-27 UN x 13/16-27 UN
(Washer Included)



B-0199-06-F10
VR 1.0 GPM Aerator,
55/64-27 UN Female Thread



015425-45
Vandal Resistant
Key (Included)

Product Specifications:
VR 1.0 GPM Aerator w/ 13/16-27UN Male Adapter & VR Key

Product Compliance:
ASME A112.18.1 / CSA B125.1
NSF 61 - Section 9
NSF 372 (Low Lead Content)