



T&S BRASS AND BRONZE WORKS, INC.

2 Saddleback Cove / P.O. Box 1088
Travelers Rest, SC 29690

Model No.

B-0190

Item No.

Travelers Rest, SC: 800-476-4103 • Simi Valley, CA: 800-423-0150 • Fax: 864-834-3518 • www.tsbrass.com

This Space for Architect/Engineer Approval

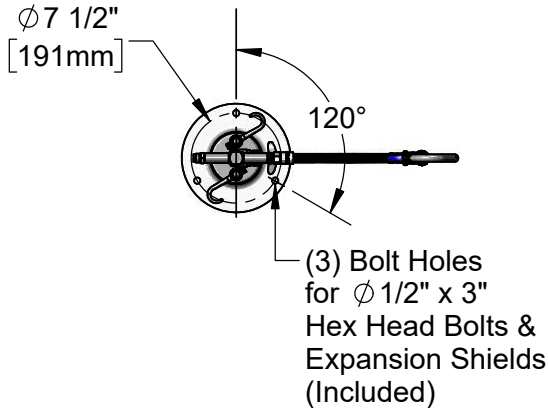
Job Name _____ Date _____

Model Specified _____ Quantity _____

Customer/Wholesaler _____

Contractor _____

Architect/Engineer _____



EB-0107-035
High Flow Angled
Spray Valve
(Blue)

EB-0104-H
Flexible Stainless
Steel Hose w/
Blue Grip
Handle

Pot Filling
Hook Nozzle

Items Not Shown
For Clarity

Swivel Joint

(2) 002852-40
Hook & Bolt

EB-0068-H
Flexible Stainless
Steel Hose w/
Blue Grip
Handle

9 1/2"
[242mm]
Appx. When
Hose is Hanging

9 1/2"
[242mm]
Appx. When
Hose is Hanging

6 1/2"
[165mm]

45 5/16"
[1152mm]

Mounting
Surface

$\phi 9 \frac{1}{16}''$
[230mm]

Rough-In Requirement:

Assembly Connects to a 1/2" Pipe Nipples Roughed in From Floor on 2" Centers to a Height of 6"

Product Specifications:

Kettle Kaddy Combination Kettle Filler Spray Stanchion, Control Valve, 104" and 68" Flexible Stainless Steel Hoses, Hook Nozzle & High Flow Spray Valve

Product Compliance:

ASME A112.18.1 / CSA B125.1
NSF 61 - Section 9
NSF 372 (Low Lead Content)
EPAct 2005 Non-Compliant (PRSV)



T&S BRASS AND BRONZE WORKS, INC.

2 Saddleback Cove / P.O. Box 1088
Travelers Rest, SC 29690

Model No.

B-0190

Item No.

Travelers Rest, SC: 800-476-4103 • Simi Valley, CA: 800-423-0150 • Fax: 864-834-3518 • www.tsbrass.com

ITEM NO.	SALES NO.	DESCRIPTION
1	EB-0107-035	High Flow Angled Spray Valve (Blue)
2	010476-45	#27 Washer
3	000907-45	Spray Valve Hold Down Ring
4	011482-40	Blue Grip Handle
5	001014-45	Washer, B-0100 Hose Barrel
6	EB-0104-H	104" Flexible Stainless Steel Hose w/ Blue Grip Handle
7	053A	Adapter, 3/8" NPT Male
8	000592-25	Swivel Tee
9	EB-0068-H	68" Flexible Stainless Steel Hose w/ Blue
10	000592-25	Pre-Rinse Swivel Body
11	002534-25	Close Nipple, 1/2" NPT
12	0RK3	Shut-Off Control Valve
13	002852-40	Finger Hook & Bolt
14	002954-45	Shank Lock Nut
15	002847-40	B-0190 Stanchion
16	012952-40	Spray Valve & Hook Nozzle (Blue)

Product Specifications:
Kettle Kaddy Combination Kettle Filler Spray Stanchion, Control Valve, 104" and 68" Flexible Stainless Steel Hoses, Hook Nozzle & High Flow Spray Valve

Product Compliance:
ASME A112.18.1 / CSA B125.1
NSF 61 - Section 9
NSF 372 (Low Lead Content)
EPA 2005 Non-Compliant (PRSV)