



T&S BRASS AND BRONZE WORKS, INC.
 2 Saddleback Cove / P.O. Box 1088
 Travelers Rest, SC 29690

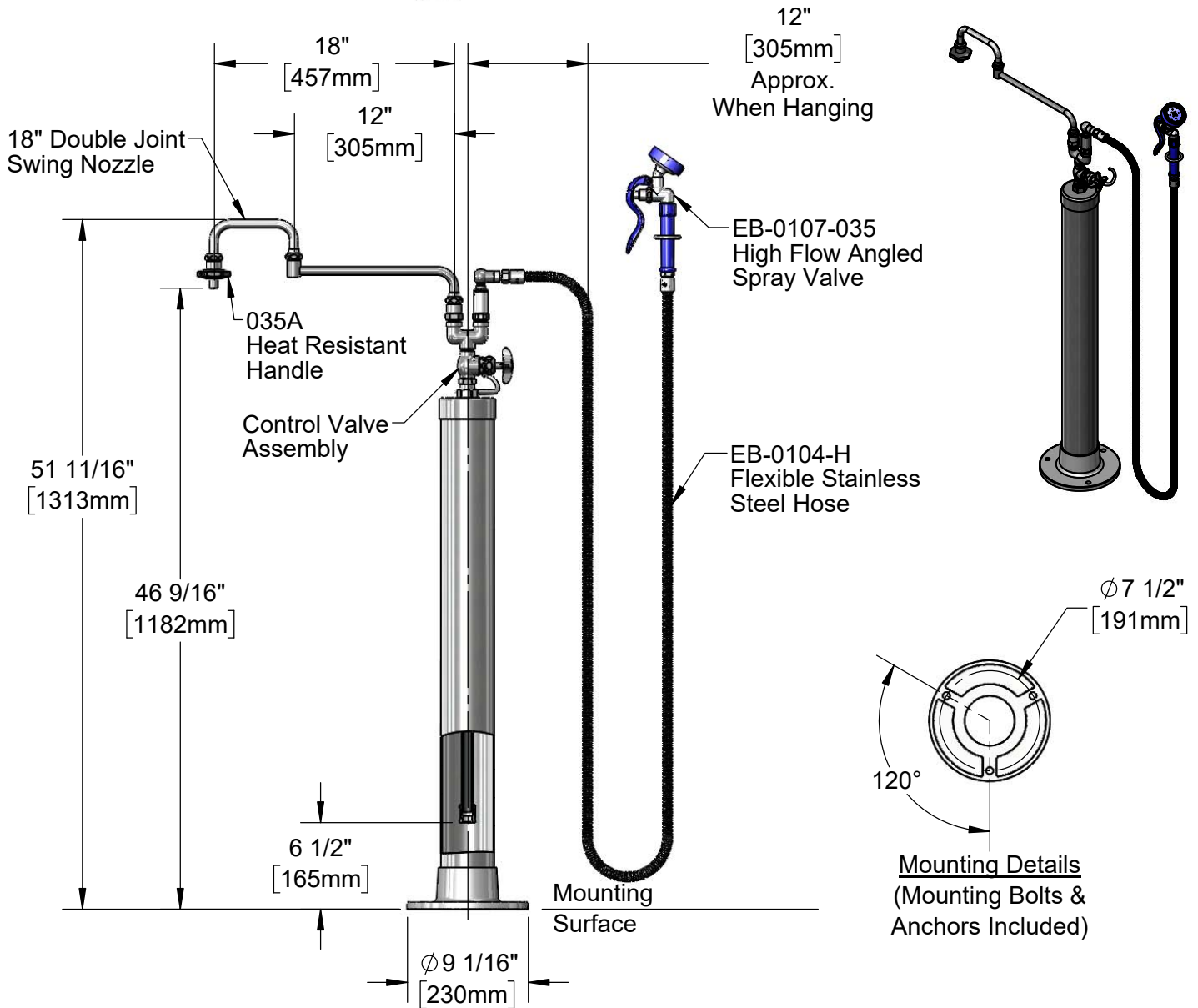
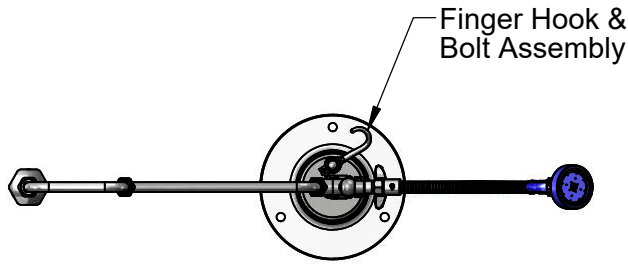
Model No.
B-0180

Item No.

Travelers Rest, SC: 800-476-4103 • Simi Valley, CA: 800-423-0150 • Fax: 864-834-3518 • www.tsbrass.com

This Space for Architect/Engineer Approval

Job Name _____ Date _____
 Model Specified _____ Quantity _____
 Customer/Wholesaler _____
 Contractor _____
 Architect/Engineer _____



Product Specifications:
 Kettle Kaddy Combination Kettle Filler Spray Stanchion, Control Valve,
 104" Flexible Stainless Steel Hose, 18" Double Joint Swing Nozzle
 & High Flow Spray Valve

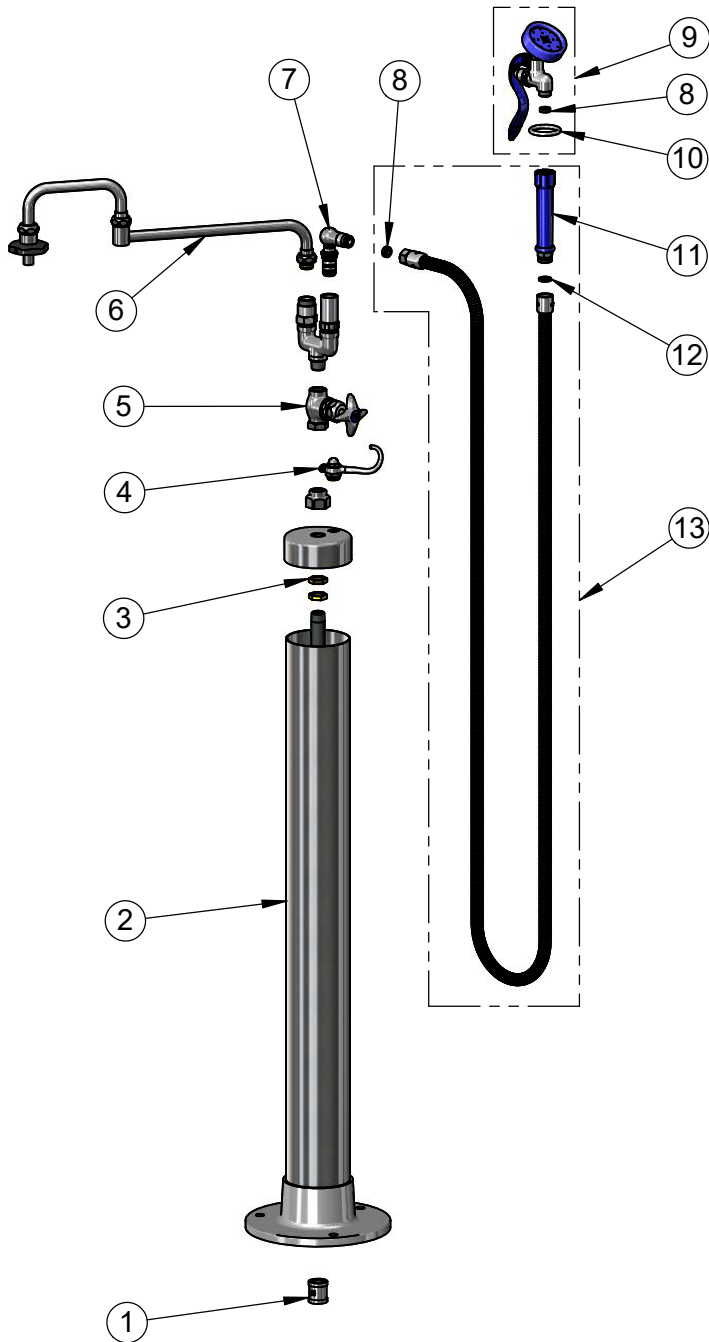
Product Compliance:
 ASME A112.18.1 / CSA B125.1
 NSF 61 - Section 9
 NSF 372 (Low Lead Content)
 EPAct 2005 Non-Compliant (PRSV)



T&S BRASS AND BRONZE WORKS, INC.
 2 Saddleback Cove / P.O. Box 1088
 Travelers Rest, SC 29690

Model No.
B-0180
 Item No.

Travelers Rest, SC: 800-476-4103 • Simi Valley, CA: 800-423-0150 • Fax: 864-834-3518 • www.tsbrass.com



ITEM NO.	SALES NO.	DESCRIPTION
1	001684-25	Coupling, 1/2"
2	002847-40	B-0190 Stanchion
3	002954-45	Shank Lock Nut
4	002852-40	Finger Hook & Bolt
5	002900-40	1/2" Shut-Off Control Valve
6	002848-40	18" Double Joint Swing Nozzle w/ Heat Resistant Handle
7	002850-40	B-0180 Swivel
8	010476-45	#27 Washer
9	EB-0107-035	High Flow Angled Spray Valve (Blue)
10	000907-45	Spray Valve Hold Down Ring
11	011482-40	Blue Grip Handle
12	001014-45	Washer, B-0100 Hose Barrel
13	EB-0104-H	104" Flexible Stainless Steel Hose w/ Blue Grip Handle

Product Specifications:
 Kettle Kaddy Combination Kettle Filler Spray Stanchion, Control Valve,
 104" Flexible Stainless Steel Hose, 18" Double Joint Swing Nozzle
 & High Flow Spray Valve

Product Compliance:
 ASME A112.18.1 / CSA B125.1
 NSF 61 - Section 9
 NSF 372 (Low Lead Content)
 EPA Act 2005 Non-Compliant (PRSV)