



T&S BRASS AND BRONZE WORKS, INC.

2 Saddleback Cove / P.O. Box 1088
Travelers Rest, SC 29690

Model No.

B-0177-60X-LF22

Item No.

Travelers Rest, SC: 800-476-4103 • Simi Valley, CA: 800-423-0150 • Fax: 864-834-3518 • www.tsbrass.com

This Space for Architect/Engineer Approval

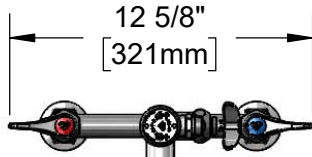
Job Name _____ Date _____

Model Specified _____ Quantity _____

Customer/Wholesaler _____

Contractor _____

Architect/Engineer _____



8" Swing Nozzle w/
B-0199-21
2.2 GPM
Laminar Flow Device

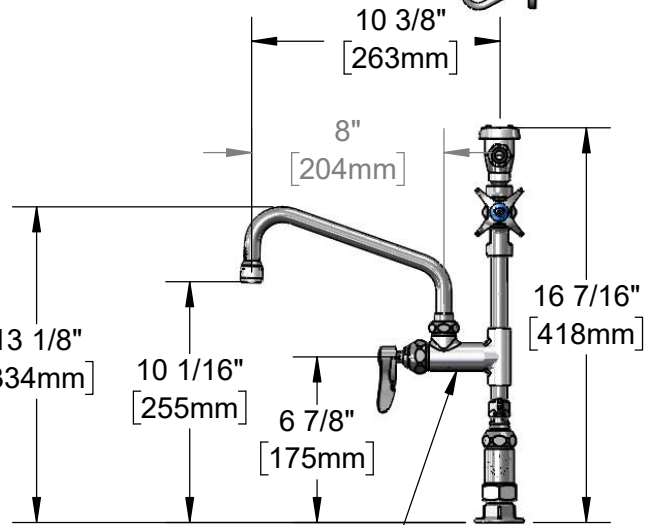
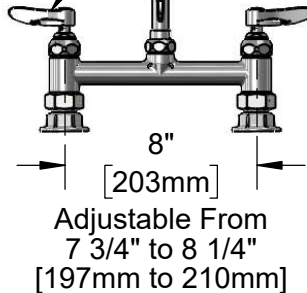
80" Flexible Stainless Steel
Hose w/ Handle & 1.15 GPM
Angled Spray Face

Control Valve for
Water Supply to
Flexible Stainless
Steel Hose Only

B-0104-D
Dummy Wall
Hook w/out
Inlet Connection

B-0968
3/8" NPT
Vacuum Breaker

Quarter-Turn Eterna
Cartridges w/
Spring Checks &
Lever Handles w/
Color Coded Indexes



EasyInstall Add-On
Faucet w/ Quarter-Turn
Eterna Cartridge &
Lever Handle

Product Specifications:

8" Deck Mount Mixing Faucet, Quarter-Turn Eterna Cartridges w/ Spring Checks, Lever Handles, Add-On Faucet, 8" Swing Nozzle w/ 2.2 GPM Laminar Flow Device, Control Valve, Vacuum Breaker, 80" Flexible Stainless Steel Hose, 1.15 GPM Angled Spray Face & 1/2" NPT Female Inlets

Product Compliance:

ASME A112.18.1 / CSA B125.1
NSF 61 - Section 9
NSF 372 (Low Lead Content)
ASSE 1001 (VB)

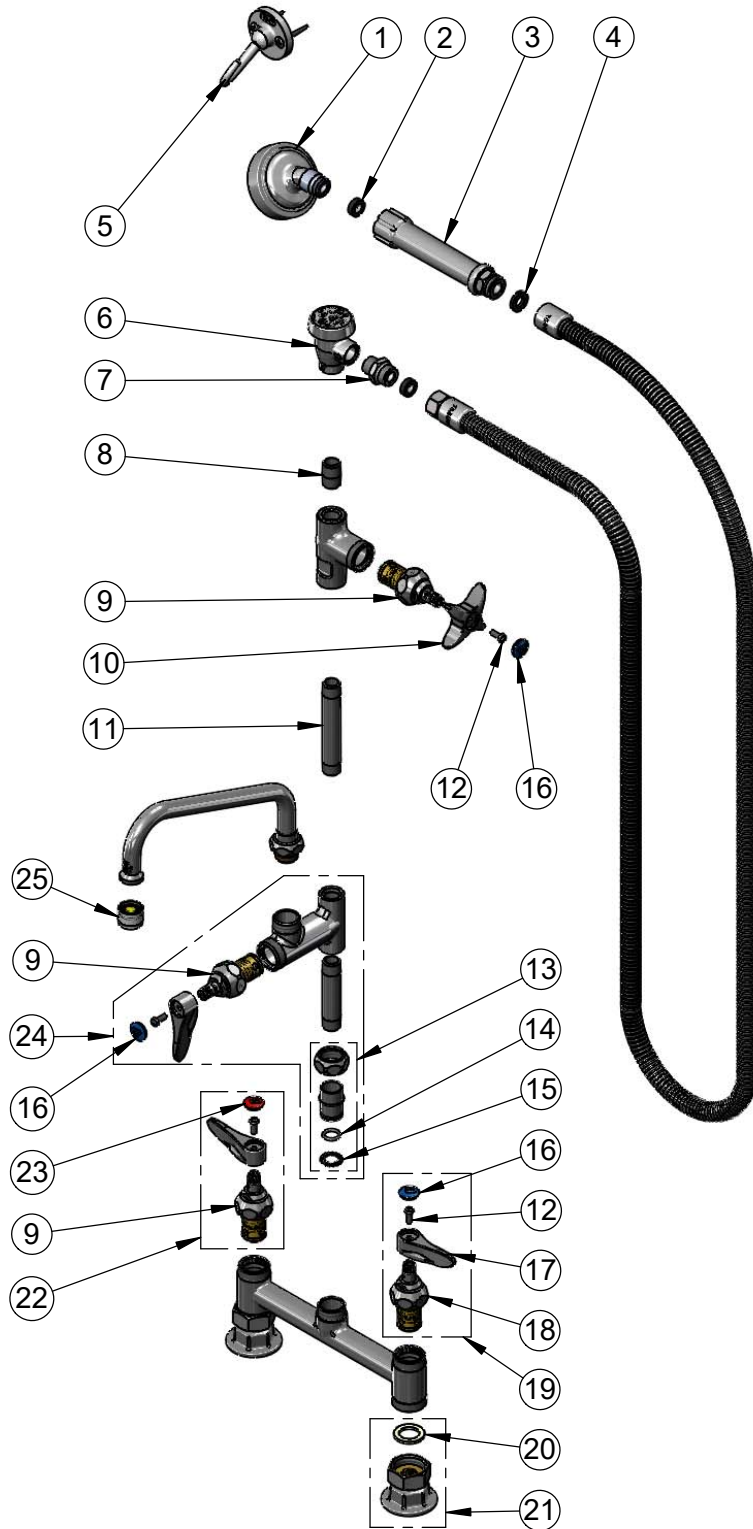


T&S BRASS AND BRONZE WORKS, INC.
 2 Saddleback Cove / P.O. Box 1088
 Travelers Rest, SC 29690

Model No.
B-0177-60X-LF22

Item No.

Travelers Rest, SC: 800-476-4103 • Simi Valley, CA: 800-423-0150 • Fax: 864-834-3518 • www.tsbrass.com



ITEM NO.	SALES NO.	DESCRIPTION
1	005969-40	1.15 GPM Angled Spray Face
2	010476-45	#27 Washer
3	002987-40	Grip Handle Assembly
4	001014-45	Washer, B-0100 Hose Barrel
5	B-0104-D	Dummy Wall Hook
6	B-0968	3/8" NPT Vacuum Breaker
7	053A	Adapter, 3/8" NPT Male
8	002535-25	3/8" Close Nipple
9	012443-40NS	Quarter-Turn Eterna Cartridge w/ Spring Check, RTC
10	002521-45NS	4-Arm Handle (New Style)
11	000360-40	Nipple, 3/8" NPT x 4"
12	000925-45	Lab Handle Screw
13	EZ-K	EasyInstall Kit
14	001065-45	O-Ring
15	014200-45	Star Washer, Anti-Rotation
16	018506-19NS	Blue Button Index, Press-in
17	001638-45NS	Lever Handle (New Style)
18	012442-40NS	Quarter-Turn Eterna Cartridge w/ Spring Check, LTC
19	002711-40NS	Quarter-Turn Eterna Cartridge w/ Spring Check, Handle, Blue Index & Screw, LTC
20	001019-45	Coupling Nut Washer
21	00AA	1/2" NPT Female Eccentric Flange
22	002712-40NS	Quarter-Turn Eterna Cartridge w/ Spring Check, Handle, Red Index & Screw, RTC
23	001193-19NS	Red Button Index, Press-in
24	B-0155-LNEZ	Add-On Faucet, Eterna Cartridge & Lever Handle, Less Nozzle
25	B-0199-21	2.2 GPM Laminar Flow Device

Product Specifications:

8" Deck Mount Mixing Faucet, Quarter-Turn Eterna Cartridges w/ Spring Checks, Lever Handles, Add-On Faucet, 8" Swing Nozzle w/ 2.2 GPM Laminar Flow Device, Control Valve, Vacuum Breaker, 80" Flexible Stainless Steel Hose, 1.15 GPM Angled Spray Face & 1/2" NPT Female Inlets

Product Compliance:

ASME A112.18.1 / CSA B125.1
 NSF 61 - Section 9
 NSF 372 (Low Lead Content)
 ASSE 1001 (VB)