



T&S BRASS AND BRONZE WORKS, INC.
 2 Saddleback Cove / P.O. Box 1088
 Travelers Rest, SC 29690

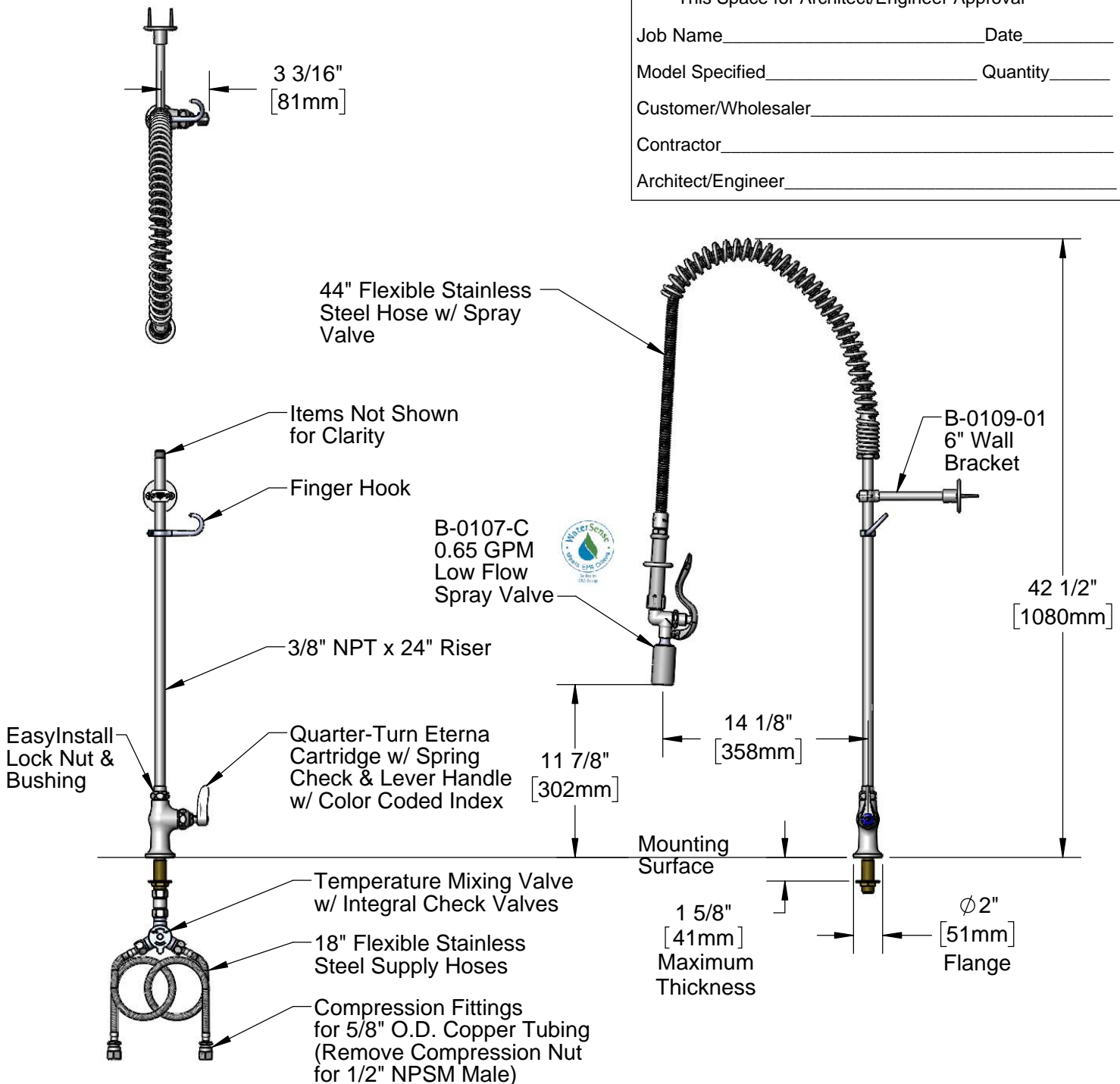
Model No.
B-0173-BC

Item No.

Travelers Rest, SC: 800-476-4103 • Simi Valley, CA: 800-423-0150 • Fax: 864-834-3518 • www.tsbrass.com

This Space for Architect/Engineer Approval

Job Name _____ Date _____
 Model Specified _____ Quantity _____
 Customer/Wholesaler _____
 Contractor _____
 Architect/Engineer _____



Rough-In Requirement:
 Ø1" [25mm] Mounting Hole

Product Specifications:

Pre-Rinse Unit: Single Hole, Single Temperature Deck Mount Faucet, Quarter-Turn Eterna Cartridge w/ Spring Check, 24" Riser, Overhead Spring, 44" Flexible Stainless Steel Hose, 0.65 GPM Low Flow Spray Valve, Temperature Control Mixing Valve w/ Integral Check Valves, 6" Wall Bracket & 18" Flexible Stainless Steel Supply Hoses w/ 1/2" NPSM Male Inlets

Product Compliance:

ASME A112.18.1 / CSA B125.1
 NSF 61 - Section 9
 NSF 372 (Low Lead Content)
 EPA Act 2005 (PRSV)
 EPA WaterSense (PRSV)



T&S BRASS AND BRONZE WORKS, INC.

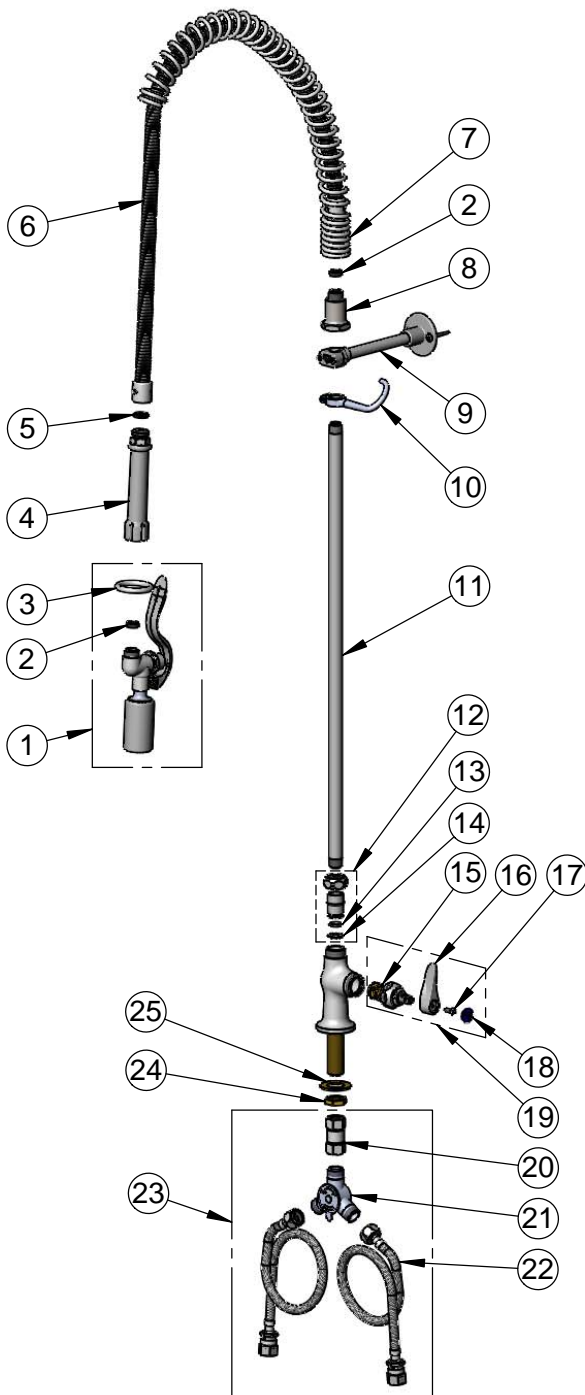
2 Saddleback Cove / P.O. Box 1088
Travelers Rest, SC 29690

Model No.

B-0173-BC

Item No.

Travelers Rest, SC: 800-476-4103 • Simi Valley, CA: 800-423-0150 • Fax: 864-834-3518 • www.tsbrass.com



ITEM NO.	SALES NO.	DESCRIPTION
1	B-0107-C	0.65 GPM Low Flow Spray Valve
2	010476-45	#27 Washer
3	000907-45	Spray Valve Hold Down Ring
4	002987-40	Grip Handle
5	001014-45	Washer, B-0100 Hose Barrel
6	B-0044-H2A	44" Flexible Stainless Steel Hose, Less Handle
7	000888-45	EasyInstall Overhead Spring
8	000821-40	Spring Body
9	B-0109-01	6" Wall Bracket
10	004R	Finger Hook
11	000375-40	3/8" NPT x 24" Riser
12	EZ-K	EasyInstall Kit
13	001065-45	O-Ring
14	014200-45	Star Washer, Anti-Rotation
15	012443-40NS	Quarter-Turn Eterna Cartridge w/ Spring Check, RTC
16	001638-45NS	Lever Handle (New Style)
17	000925-45	Lab Handle Screw
18	018506-19NS	Blue Button Index, Press-in
19	019639-40	Quarter-Turn Eterna Cartridge RTC w/ Spring Check, Handle, Blue Index & Screw
20	017506-45	1/2" NPSM Swivel Coupling
21	5EF-0006	Mechanical Mixing Valve
22	019192-45	Flexible Connector Hose (2)
23	019321-40	Temperature Control Mixing Valve w/ Flexible 1/2" NPSM Male Inlets
24	002954-45	Shank Lock Nut
25	000999-45	Brass Lock Washer

Product Specifications:

Pre-Rinse Unit: Single Hole, Single Temperature Deck Mount Faucet, Quarter-Turn Eterna Cartridge w/ Spring Check, 24" Riser, Overhead Spring, 44" Flexible Stainless Steel Hose, 0.65 GPM Low Flow Spray Valve, Temperature Control Mixing Valve w/ Integral Check Valves, 6" Wall Bracket & 18" Flexible Stainless Steel Supply Hoses w/ 1/2" NPSM Male Inlets

Product Compliance:

ASME A112.18.1 / CSA B125.1
NSF 61 - Section 9
NSF 372 (Low Lead Content)
EPA 2005 (PRSV)
EPA WaterSense (PRSV)