



T&S BRASS AND BRONZE WORKS, INC.
 2 Saddleback Cove / P.O. Box 1088
 Travelers Rest, SC 29690

Model No.
B-0156-EZ

Item No.

Travelers Rest, SC: 800-476-4103 • Simi Valley, CA: 800-423-0150 • Fax: 864-834-3518 • www.tsbrass.com



ADA Compliant

This Space for Architect/Engineer Approval

Job Name _____ Date _____

Model Specified _____ Quantity _____

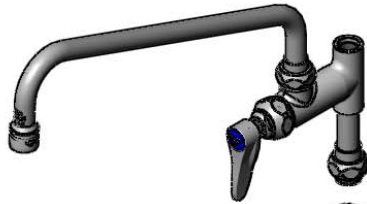
Customer/Wholesaler _____

Contractor _____

Architect/Engineer _____

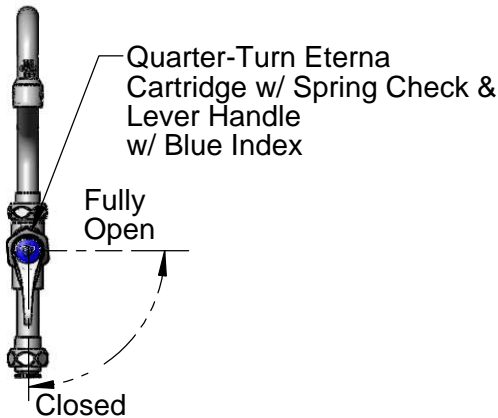


062X
 12" Swing Nozzle w/
 Stream Regulator Outlet



Swivel to Rigid Lock
 Washer (Included)

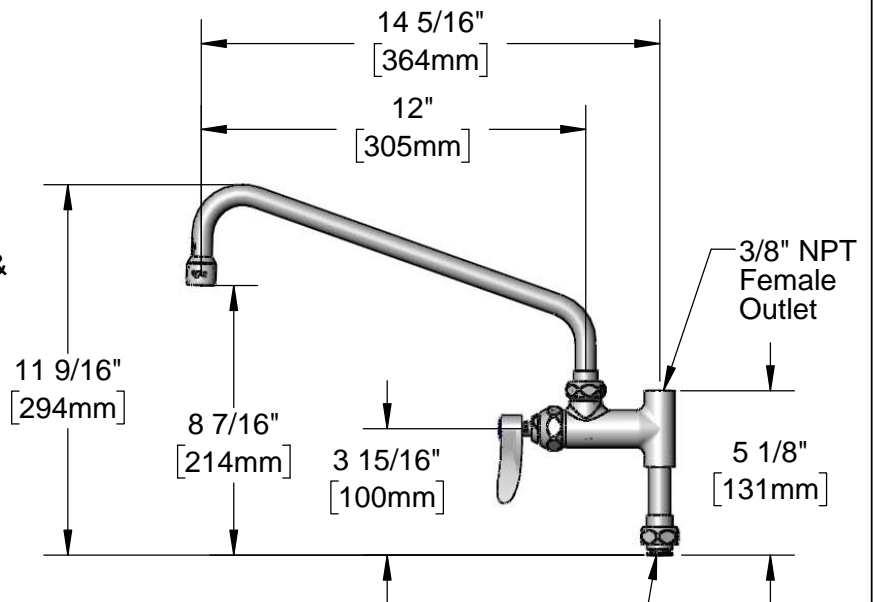
3/8" Hex L-Key To Remove
 Existing Riser Swivel Piece
 (Included)



Quarter-Turn Eterna
 Cartridge w/ Spring Check &
 Lever Handle
 w/ Blue Index

Fully
 Open

Closed



Inlet Connection
 Fits T&S EasyInstall
 Base Faucets
 (See Note 3)

Notes:

1. The Add-On Faucet is an Addition to Pre-Rinse Units and is Installed in Outlets of Base Mixing Faucets of Units Before Fitting Riser Pipes
2. Lever Handle Controls Water On-Off Thru Nozzle Only. Pressure is Always "On" in the Riser Pipe (Controlled by Base Mixing Faucet)
3. Place Lock Washer into Base Faucet Outlet & Lubricate O-Ring Prior to Installing Add-On Faucet

Product Specifications:

Add-On Faucet w/ Quarter-Turn Eterna Cartridge w/ Spring Check, Lever Handle & 12" Swing Nozzle w/ Stream Regulator Outlet

Product Compliance:

ASME A112.18.1 / CSA B125.1
 NSF 61 - Section 9
 NSF 372 (Low Lead Content)
 ANSI A117.1 (ADA)



T&S BRASS AND BRONZE WORKS, INC.

2 Saddleback Cove / P.O. Box 1088
Travelers Rest, SC 29690

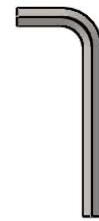
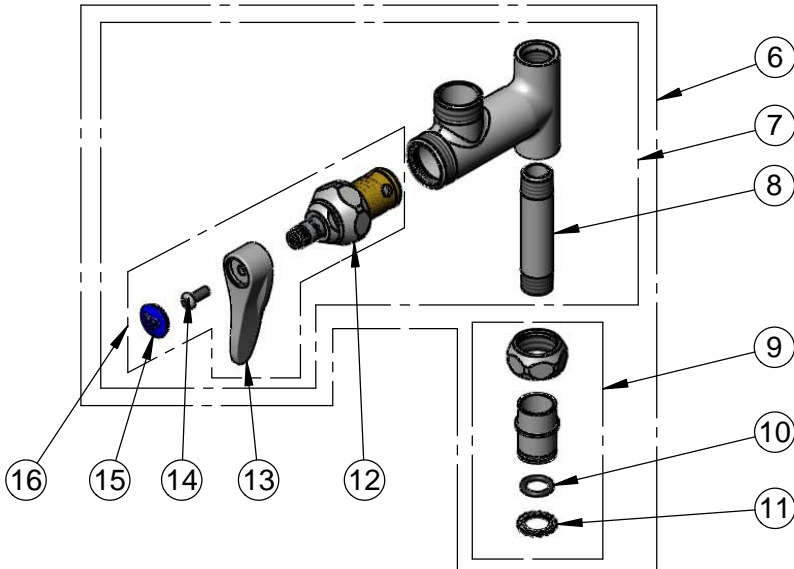
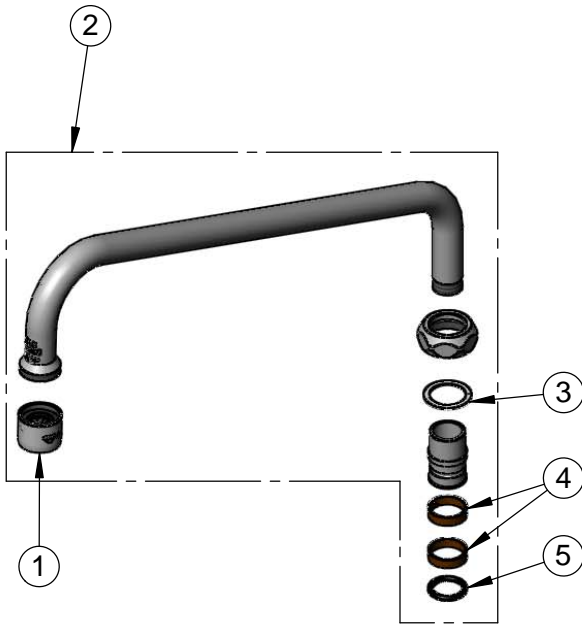
Model No.

B-0156-EZ

Item No.

Travelers Rest, SC: 800-476-4103 • Simi Valley, CA: 800-423-0150 • Fax: 864-834-3518 • www.tsbrass.com

ITEM NO.	SALES NO.	DESCRIPTION
1	B-PT	Full Flow Stream Regulator, 55/64-27
2	062X	12" Swing Nozzle w/ Stream Regulator Outlet
3	009538-45	Swivel Washer
4	011429-45	Swivel Sleeves (2)
5	001074-45	O-Ring
6	B-0155-LNEZ	EasyInstall Add-On Faucet w/ Quarter-Turn Eterna Cartridge w/ Spring Check, RTC & Lever Handle, Less Nozzle
7	B-0155-LN	Add-On Faucet w/ Quarter-Turn Eterna Cartridge w/ Spring Check, RTC & Lever Handle, Less Nozzle
8	000358-40	Nipple, 3/8" NPT x 3"
9	EZ-K	EasyInstall Installation Kit
10	001065-45	O-Ring
11	014200-45	Star Washer, Anti-Rotation
12	012443-40NS	Quarter-Turn Eterna Cartridge w/ Spring Check, RTC
13	001638-45NS	Lever Handle (New Style)
14	000925-45	Lab Handle Screw
15	018506-19NS	Blue Button Index, Press-in
16	019639-40	Quarter-Turn Eterna Cartridge RTC w/ Spring Check, Handle, Blue Index & Screw



001409-45
Hex L-Key

Product Specifications:

Add-On Faucet w/ Quarter-Turn Eterna Cartridge w/ Spring Check, Lever Handle & 12" Swing Nozzle w/ Stream Regulator Outlet

Product Compliance:

ASME A112.18.1 / CSA B125.1
NSF 61 - Section 9
NSF 372 (Low Lead Content)
ANSI A117.1 (ADA)