



# T&S BRASS AND BRONZE WORKS, INC.

2 Saddleback Cove / P.O. Box 1088  
Travelers Rest, SC 29690

Model No.

**B-0142**

Item No.

Travelers Rest, SC: 800-476-4103 • Simi Valley, CA: 800-423-0150 • Fax: 864-834-3518 • www.tsbrass.com

This Space for Architect/Engineer Approval

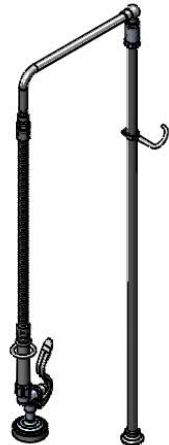
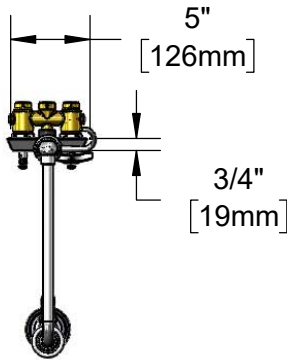
Job Name \_\_\_\_\_ Date \_\_\_\_\_

Model Specified \_\_\_\_\_ Quantity \_\_\_\_\_

Customer/Wholesaler \_\_\_\_\_

Contractor \_\_\_\_\_

Architect/Engineer \_\_\_\_\_



Items Not Shown For Clarity

Finger Hook

26" Flexible Stainless Steel Hose, Spring & Spray Valve

B-0107 1.15 GPM Spray Valve

3/8" NPT x 24"

Ø 1 11/16" [43mm] Rigid Deck Flange

39 15/16" [1015mm]

6 1/2" [165mm]

11 5/16" [287mm]

Mounting Surface

1 1/8" [29mm] Maximum Thickness

1 11/16" [44mm]

150A Tailpiece & Nut Furnished for Optional 1/4" NPT Connection

4 15/16" [126mm]

B-0512 Base Faucet w/ Eterna Cartridges, 4-Arm Handles & Color Coded Indexes

Piping Supplied By Customer

Rough-In Requirement:  
Ø 1" [25mm] Mounting Hole

**Product Specifications:**

Pre-Rinse Unit: Single Hole Deck Mount Dummy Pre-Rinse and Remote Control Valve, Eterna Cartridges, 4-Arm Handles, 1.15 GPM Spray Valve, 38" Riser, 12" Overhead Swivel Arm & 1/2" NPT Female Inlets

**Product Compliance:**

ASME A112.18.1 / CSA B125.1  
NSF 61 - Section 9  
NSF 372 (Low Lead Content)  
2019 DOE PRSV - Class II

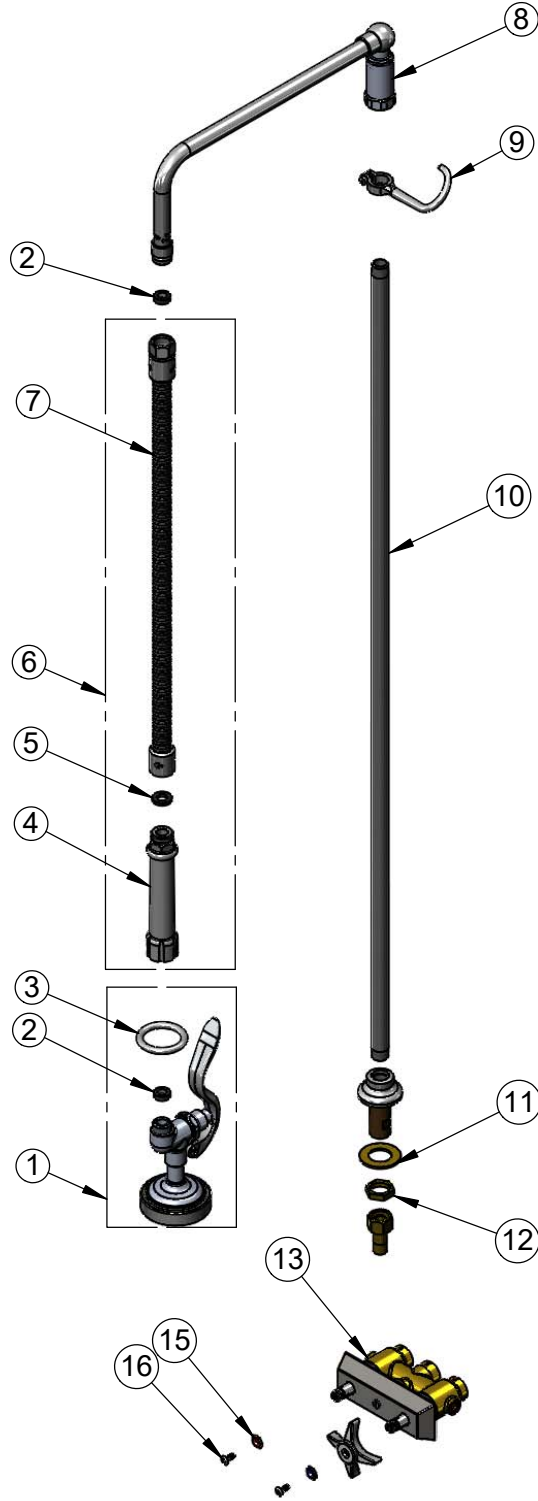


**T&S BRASS AND BRONZE WORKS, INC.**  
 2 Saddleback Cove / P.O. Box 1088  
 Travelers Rest, SC 29690

Model No.  
**B-0142**

Item No.

Travelers Rest, SC: 800-476-4103 • Simi Valley, CA: 800-423-0150 • Fax: 864-834-3518 • www.tsbrass.com



ITEM NO.	SALES NO.	DESCRIPTION
1	B-0107	1.15 GPM Spray Valve
2	010476-45	#27 Washer
3	000907-45	Spray Valve Hold Down Ring
4	002987-40	Grey Handle Grip
5	001014-45	Washer, B-0100 Hose Barrel
6	B-0026-H	26" Flexible Stainless Steel Hose
7	B-0026-H2A	26" Flexible Stainless Steel Hose, Less Handle
8	002882-40	12" Swivel L-Tube
9	004R	Finger Hook
10	000377-40	3/8" NPT x 38" Riser
11	000999-45	Brass Lock Washer
12	002954-45	Shank Lock Nut
13	B-0512	Concealed Mixing Valve
14	002521-45	4-Arm Handle
15	001661-45	Red Index-HW
16	000922-45	Lever Handle Screw

**Product Specifications:**

Pre-Rinse Unit: Single Hole Deck Mount Dummy Pre-Rinse and Remote Control Valve, Eterna Cartridges, 4-Arm Handles, 1.15 GPM Spray Valve, 38" Riser, 12" Overhead Swivel Arm & 1/2" NPT Female Inlets

**Product Compliance:**

ASME A112.18.1 / CSA B125.1  
 NSF 61 - Section 9  
 NSF 372 (Low Lead Content)  
 2019 DOE PRSV - Class II