



**T&S BRASS AND BRONZE WORKS, INC.**  
 2 Saddleback Cove / P.O. Box 1088  
 Travelers Rest, SC 29690

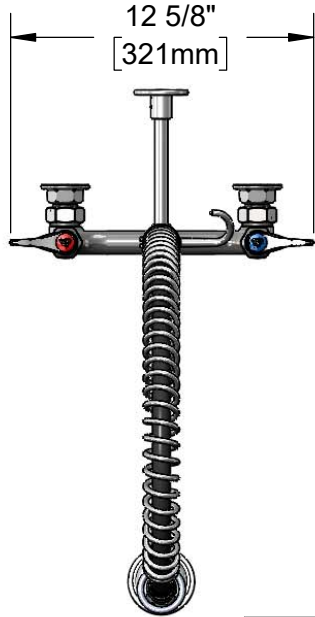
Model No.  
**B-0133-BR**

Item No.

Travelers Rest, SC: 800-476-4103 • Simi Valley, CA: 800-423-0150 • Fax: 864-834-3518 • www.tsbrass.com

This Space for Architect/Engineer Approval

Job Name \_\_\_\_\_ Date \_\_\_\_\_  
 Model Specified \_\_\_\_\_ Quantity \_\_\_\_\_  
 Customer/Wholesaler \_\_\_\_\_  
 Contractor \_\_\_\_\_  
 Architect/Engineer \_\_\_\_\_



44" Rubber Hose w/  
 Spring & Spray Valve

Items Not Shown  
 For Clarity

Finger Hook

3/8" NPT x 18" Riser

EasyInstall  
 Lock Nut & Bushing

Quarter-Turn  
 Eterna Cartridges w/  
 Spring Checks &  
 Lever Handles w/  
 Color Coded Indexes

Ø2" [51mm]  
 Flanges w/  
 1/2" NPT  
 Female Inlets

3 11/16"  
 [94mm]

8"  
 [203mm]

Adjustable From  
 7 3/4" to 8 1/4"  
 [197mm to 210mm]

3 3/16"  
 [82mm]

14 1/8"  
 [359mm]

2 3/8"  
 [61mm]

33 7/16"  
 [849mm]

B-0109-01  
 6" Wall  
 Bracket

B-0107  
 1.15 GPM  
 Spray Valve

Mounting  
 Surface

Product Specifications:

Pre-Rinse Unit: EasyInstall 8" Wall Mount Mixing Faucet, Quarter-Turn Eterna Cartridges w/ Spring Checks, Lever Handles, 44" Rubber Hose, 1.15 GPM Spray Valve, 6" Wall Bracket & 1/2" NPT Female Inlets

Product Compliance:

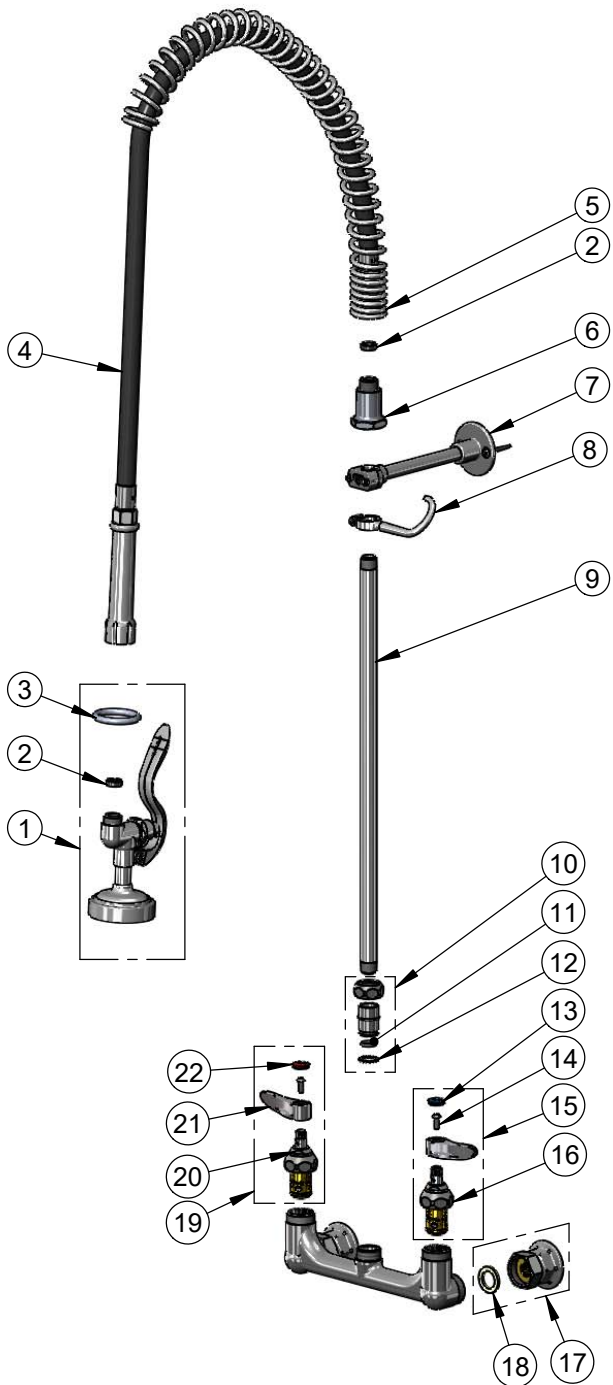
ASME A112.18.1 / CSA B125.1  
 NSF 61 - Section 9  
 NSF 372 (Low Lead Content)  
 2019 DOE PRSV - Class II



**T&S BRASS AND BRONZE WORKS, INC.**  
 2 Saddleback Cove / P.O. Box 1088  
 Travelers Rest, SC 29690

Model No.  
**B-0133-BR**  
 Item No.

Travelers Rest, SC: 800-476-4103 • Simi Valley, CA: 800-423-0150 • Fax: 864-834-3518 • www.tsbrass.com



ITEM NO.	SALES NO.	DESCRIPTION
1	B-0107	1.15 GPM Spray Valve
2	010476-45	#27 Washer
3	000907-45	Spray Valve Hold Down Ring
4	B-0044-R	44" Rubber Hose
5	000888-45	EasyInstall Overhead Spring
6	000821-40	Spring Body
7	B-0109-01	6" Wall Bracket
8	004R	Finger Hook
9	000369-40	3/8" NPT x 18" Riser
10	EZ-K	EasyInstall Kit: Nut, Bushing, O-Ring & Lock Washer
11	001065-45	O-Ring
12	014200-45	Star Washer, Anti-Rotation
13	018506-19NS	Blue Button Index, Press-in
14	000925-45	Lab Handle Screw
15	002711-40NS	Quarter-Turn Eterna Cartridge, LTC w/ Spring Check, Handle, Index & Screw
16	012442-40NS	Quarter-Turn Eterna Cartridge, LTC w/ Spring Check
17	00AA	1/2" NPT Female Eccentric Flange
18	001019-45	Coupling Nut Washer
19	002712-40NS	Quarter-Turn Eterna Cartridge, RTC w/ Spring Check, Handle, Index & Screw
20	012443-40NS	Quarter-Turn Eterna Cartridge, RTC w/ Spring Check
21	001638-45NS	Lever Handle (New Style)
22	001193-19NS	Red Button Index, Press-in

**Product Specifications:**  
 Pre-Rinse Unit: EasyInstall 8" Wall Mount Mixing Faucet, Quarter-Turn Eterna Cartridges w/ Spring Checks, Lever Handles, 44" Rubber Hose, 1.15 GPM Spray Valve, 6" Wall Bracket & 1/2" NPT Female Inlets

**Product Compliance:**  
 ASME A112.18.1 / CSA B125.1  
 NSF 61 - Section 9  
 NSF 372 (Low Lead Content)  
 2019 DOE PRSV - Class II