



T&S BRASS AND BRONZE WORKS, INC.

2 Saddleback Cove / P.O. Box 1088
Travelers Rest, SC 29690

Model No.

B-0133-ADF10-BR

Item No.

Travelers Rest, SC: 800-476-4103 • Simi Valley, CA: 800-423-0150 • Fax: 864-834-3518 • www.tsbrass.com

This Space for Architect/Engineer Approval

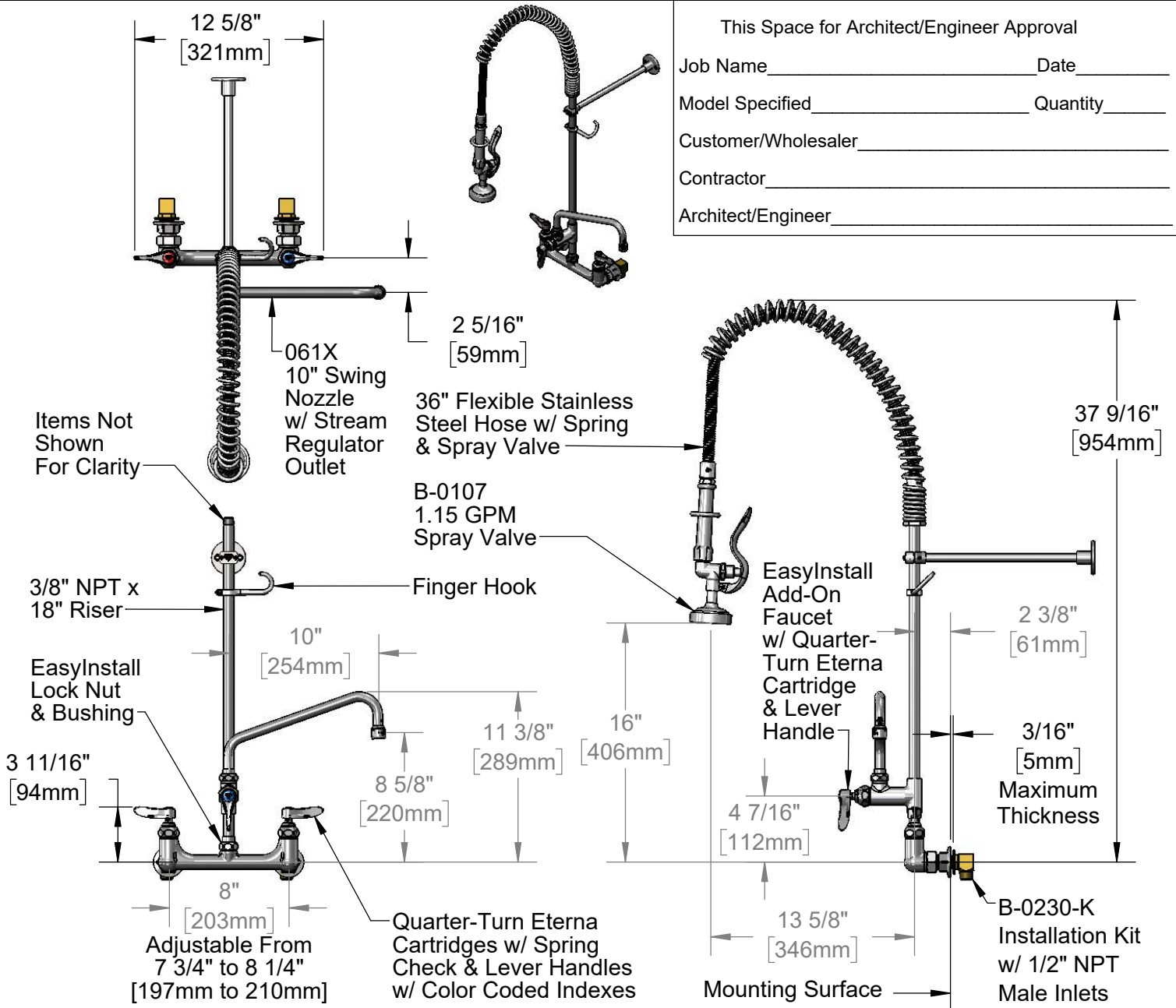
Job Name _____ Date _____

Model Specified _____ Quantity _____

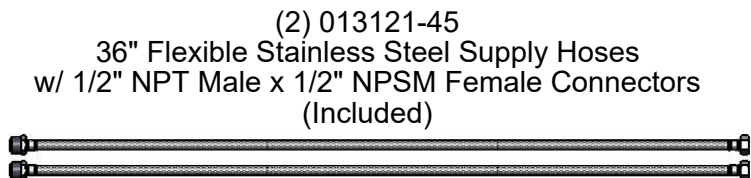
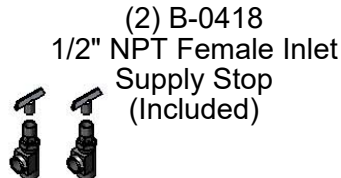
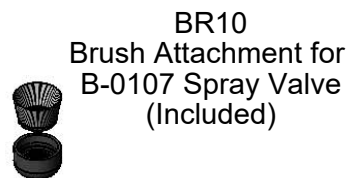
Customer/Wholesaler _____

Contractor _____

Architect/Engineer _____



Rough-In Requirement:
(2) ϕ 1" [25mm] Mounting Holes



Product Specifications:

Pre-Rinse Unit: EasyInstall 8" Wall Mount Mixing Faucet, Quarter-Turn Eterna Cartridges w/ Spring Checks, Lever Handles, Add-On Faucet, 10" Swing Nozzle, 36" Flexible Stainless Steel Hose, 1.15 GPM Spray Valve w/ Brush Attachment, Installation Kits w/ 1/2" NPT Male Inlets, (2) 36" Flexible Stainless Steel Hoses & (2) 1/2" NPT Female Supply Stops

Product Compliance:

ASME A112.18.1 / CSA B125.1
NSF 61 - Section 9
NSF 372 (Low Lead Content)
2019 DOE PRSV - Class II



T&S BRASS AND BRONZE WORKS, INC.

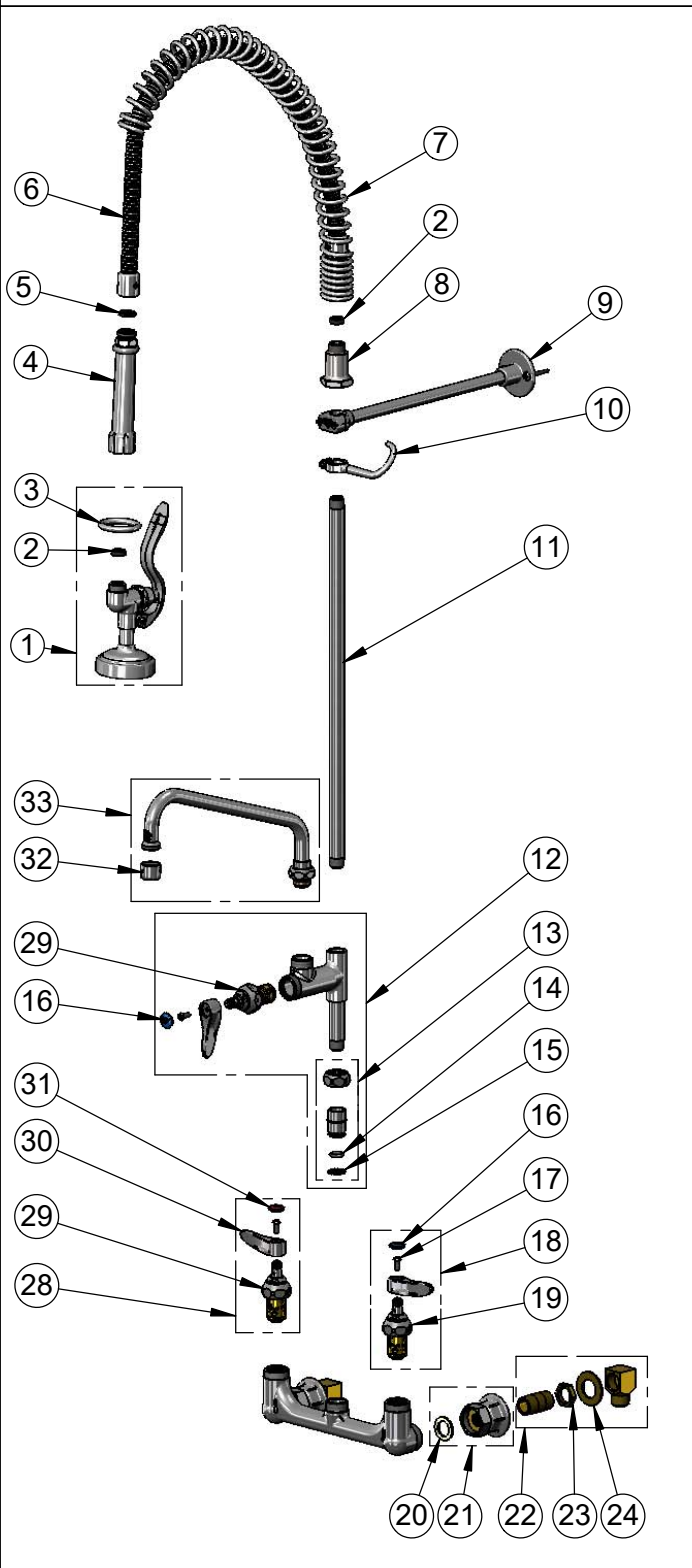
2 Saddleback Cove / P.O. Box 1088
Travelers Rest, SC 29690

Model No.

B-0133-ADF10-BR

Item No.

Travelers Rest, SC: 800-476-4103 • Simi Valley, CA: 800-423-0150 • Fax: 864-834-3518 • www.tsbrass.com



| ITEM NO. | SALES NO. | DESCRIPTION |
|----------|-------------|---------------------------------------------------------------------------------------------|
| 1 | B-0107 | 1.15 GPM Spray Valve |
| 2 | 010476-45 | #27 Washer |
| 3 | 000907-45 | Spray Valve Hold Down Ring |
| 4 | 002987-40 | Grip Handle |
| 5 | 001014-45 | Washer, B-0100 Hose Barrel |
| 6 | B-0036-H2A | 36" Flexible Stainless Steel Hose, Less Handle |
| 7 | 000888-45 | EasyInstall Overhead Spring |
| 8 | 000821-40 | Spring Body |
| 9 | B-0109-03 | 12" Wall Bracket |
| 10 | 004R | Finger Hook |
| 11 | 000369-40 | 3/8" NPT x 18" Riser |
| 12 | B-0155-LNEZ | EasyInstall Add-On Faucet w/ Quarter-Turn Eterna Cartridge, RTC & Lever Handle, Less Nozzle |
| 13 | EZ-K | EasyInstall Kit: Nut, Bushing, O-ring & Lock Washer |
| 14 | 001065-45 | O-Ring |
| 15 | 014200-45 | Star Washer, Anti-Rotation |
| 16 | 018506-19NS | Blue Button Index, Press-in |
| 17 | 000925-45 | Lab Handle Screw |
| 18 | 002711-40NS | Quarter-Turn Eterna Cartridge, LTC w/ Spring Check, Handle, Index & Screw |
| 19 | 012442-40NS | Quarter-Turn Eterna Cartridge, LTC w/ Spring Check |
| 20 | 001019-45 | Coupling Nut Washer |
| 21 | 00AA | 1/2" NPT Female Eccentric Flange |
| 22 | B-0230 | Short Elbow Installation Kit |
| 23 | 002954-45 | Shank Lock Nut |
| 24 | 000999-45 | Brass Lock Washer |
| 25 | 013121-45 | 36" Flexible Stainless Steel Hose (2) |
| 26 | B-0418 | 1/2" NPT Female Supply Stop (2) |
| 27 | BR10 | Brush Attachment For B-0107 |
| 28 | 002712-40NS | Quarter-Turn Eterna Cartridge, RTC w/ Spring Check, Handle, Index & Screw |
| 29 | 012443-40NS | Quarter-Turn Eterna Cartridge, RTC w/ Spring Check |
| 30 | 001638-45NS | Lever Handle (New Style) |
| 31 | 001193-19NS | Red Button Index, Press-in |
| 32 | B-PT | Full Flow Stream Regulator, 55/64-27 |
| 33 | 061X | 10" Swing Nozzle |

Product Specifications:

Pre-Rinse Unit: EasyInstall 8" Wall Mount Mixing Faucet, Quarter-Turn Eterna Cartridges w/ Spring Checks, Lever Handles, Add-On Faucet, 10" Swing Nozzle, 36" Flexible Stainless Steel Hose, 1.15 GPM Spray Valve w/ Brush Attachment, Installation Kits w/ 1/2" NPT Male Inlets, (2) 36" Flexible Stainless Steel Hoses & (2) 1/2" NPT Female Supply Stops

Product Compliance:

ASME A112.18.1 / CSA B125.1
NSF 61 - Section 9
NSF 372 (Low Lead Content)
2019 DOE PRSV - Class II