



T&S BRASS AND BRONZE WORKS, INC.

2 Saddleback Cove / P.O. Box 1088
Travelers Rest, SC 29690

Model No.

B-0133-18DJ-CRB

Item No.

Travelers Rest, SC: 800-476-4103 • Simi Valley, CA: 800-423-0150 • Fax: 864-834-3518 • www.tsbrass.com

This Space for Architect/Engineer Approval

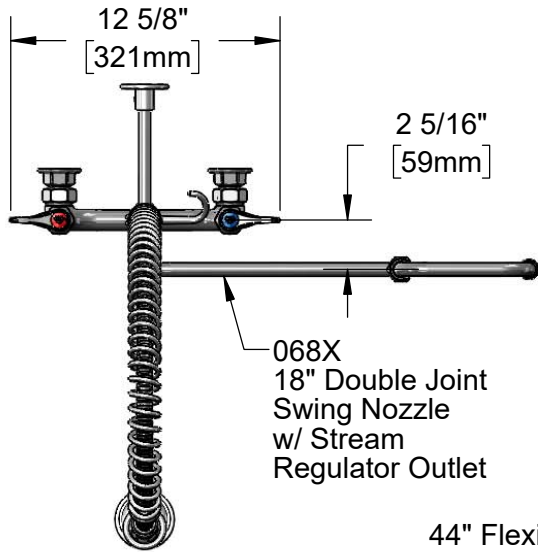
Job Name _____ Date _____

Model Specified _____ Quantity _____

Customer/Wholesaler _____

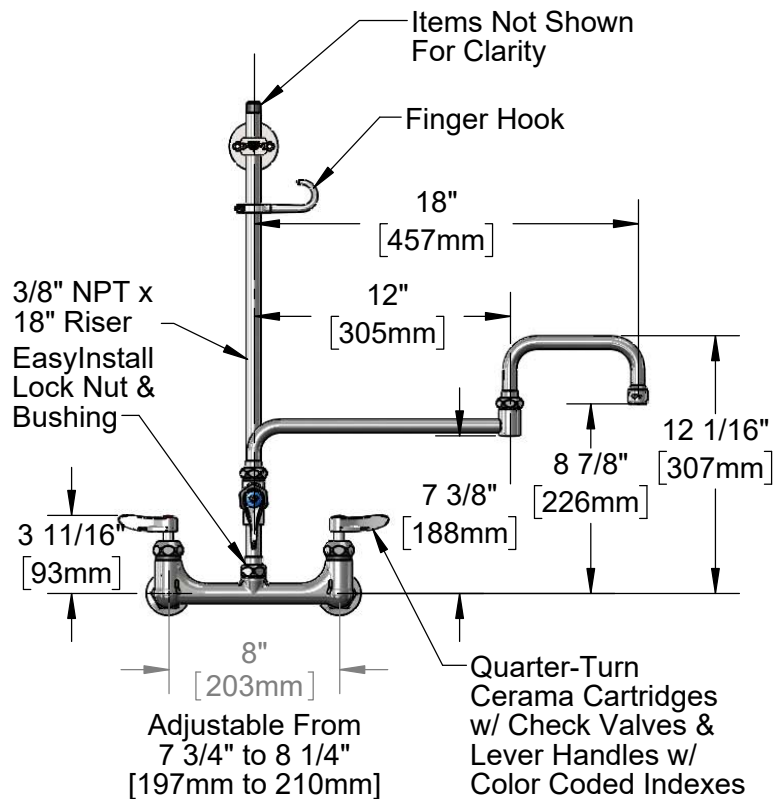
Contractor _____

Architect/Engineer _____



068X
18" Double Joint
Swing Nozzle
w/ Stream
Regulator Outlet

44" Flexible Stainless
Steel Hose w/ Spring
& Spray Valve



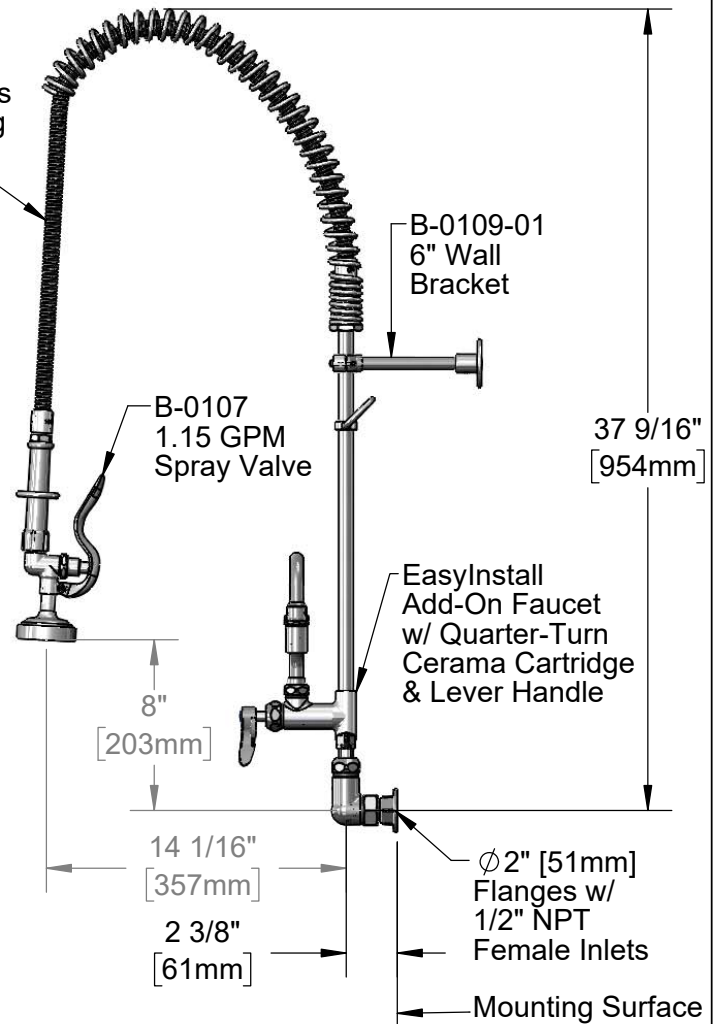
Items Not Shown
For Clarity

Finger Hook

3/8" NPT x
18" Riser
EasyInstall
Lock Nut &
Bushing

Adjustable From
7 3/4" to 8 1/4"
[197mm to 210mm]

Quarter-Turn
Cerama Cartridges
w/ Check Valves &
Lever Handles w/
Color Coded Indexes



B-0109-01
6" Wall
Bracket

B-0107
1.15 GPM
Spray Valve

EasyInstall
Add-On Faucet
w/ Quarter-Turn
Cerama Cartridge
& Lever Handle

37 9/16"
[954mm]

8"
[203mm]

14 1/16"
[357mm]

2 3/8"
[61mm]

Ø2" [51mm]
Flanges w/
1/2" NPT
Female Inlets

Mounting Surface

Product Specifications:

Pre-Rinse Unit: EasyInstall 8" Wall Mount Mixing Faucet, Quarter-Turn Cerama Cartridges w/ Check Valves, Lever Handles, 44" Flexible Stainless Steel Hose, 1.15 GPM Spray Valve, 18" Double Joint Swing Nozzle, 6" Wall Bracket & 1/2" NPT Female Inlets

Product Compliance:

ASME A112.18.1 / CSA B125.1
NSF 61 - Section 9
NSF 372 (Low Lead Content)
2019 DOE PRSV - Class II



T&S BRASS AND BRONZE WORKS, INC.

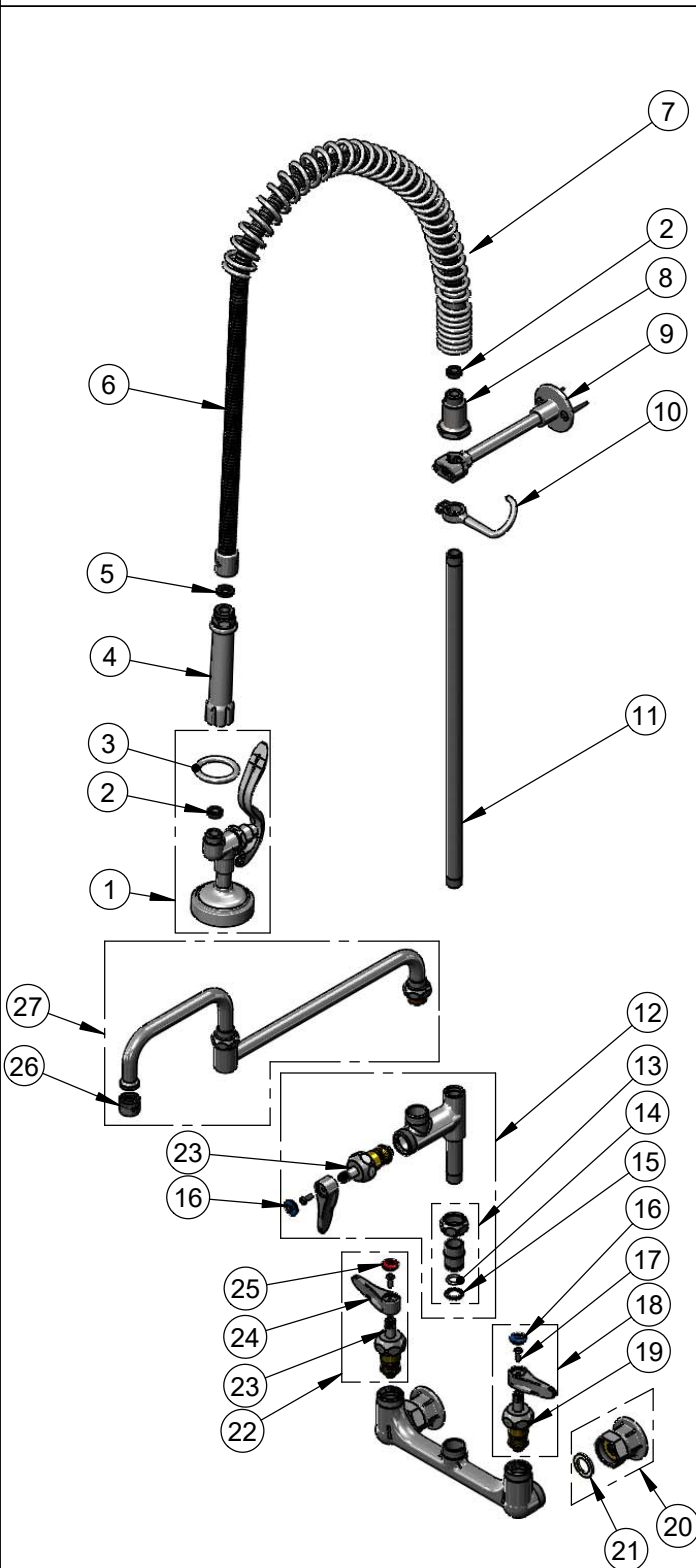
2 Saddleback Cove / P.O. Box 1088
Travelers Rest, SC 29690

Model No.

B-0133-18DJ-CRB

Item No.

Travelers Rest, SC: 800-476-4103 • Simi Valley, CA: 800-423-0150 • Fax: 864-834-3518 • www.tsbrass.com



| ITEM NO. | SALES NO. | DESCRIPTION |
|----------|--------------|---|
| 1 | B-0107 | 1.15 GPM Spray Valve |
| 2 | 010476-45 | #27 Washer |
| 3 | 000907-45 | Spray Valve Hold Down Ring |
| 4 | 002987-40 | Grip Handle |
| 5 | 001014-45 | Washer, B-0100 Hose Barrel |
| 6 | B-0044-H2A | 44" Flexible Stainless Steel, Less Handle |
| 7 | 000888-45 | EasyInstall Overhead Spring |
| 8 | 000821-40 | Spring Body |
| 9 | B-0109-01 | 6" Wall Bracket |
| 10 | 004R | Finger Hook |
| 11 | 000369-40 | 3/8" NPT x 18" Riser |
| 12 | B-0155-CR-LN | Add-On Faucet w/ Quarter-Turn Cerama Cartridge, RTC & Lever Handle, Less Nozzle |
| 13 | EZ-K | EasyInstall Kit: Nut, Bushing, O-ring & Lock Washer |
| 14 | 001065-45 | O-ring |
| 15 | 014200-45 | Star Washer, Anti-Rotation |
| 16 | 018506-19NS | Blue Button Index, Press-in |
| 17 | 000925-45 | Lab Handle Screw |
| 18 | 012447-25NS | Quarter-Turn Cerama Cartridge, LTC w/ Check Valve, Handle, Index & Screw |
| 19 | 012395-25NS | Quarter-Turn Cerama Cartridge, LTC w/ Check Valve |
| 20 | 00AA | 1/2" NPT Female Eccentric Flange |
| 21 | 001019-45 | Coupling Nut Washer |
| 22 | 012446-25NS | Quarter-Turn Cerama Cartridge, RTC w/ Check Valve, Handle, Index & Screw |
| 23 | 012394-25NS | Quarter-Turn Cerama Cartridge, RTC w/ Check Valve |
| 24 | 001638-45NS | Lever Handle (New Style) |
| 25 | 001193-19NS | Red Button Index, Press-in |
| 26 | B-PT | Full Flow Stream Regulator, 55/64-27 |
| 27 | 068X | 18" Double Joint Swing Nozzle, 6" Front Section |

Product Specifications:
Pre-Rinse Unit: EasyInstall 8" Wall Mount Mixing Faucet, Quarter-Turn Cerama Cartridges w/ Check Valves, Lever Handles, 44" Flexible Stainless Steel Hose, 1.15 GPM Spray Valve, 18" Double Joint Swing Nozzle, 6" Wall Bracket & 1/2" NPT Female Inlets

Product Compliance:
ASME A112.18.1 / CSA B125.1
NSF 61 - Section 9
NSF 372 (Low Lead Content)
2019 DOE PRSV - Class II