



T&S BRASS AND BRONZE WORKS, INC.
 2 Saddleback Cove / P.O. Box 1088
 Travelers Rest, SC 29690

Model No.
B-0133-12FCRBCT

Item No.

Travelers Rest, SC: 800-476-4103 • Simi Valley, CA: 800-423-0150 • Fax: 864-834-3518 • www.tsbrass.com

This Space for Architect/Engineer Approval

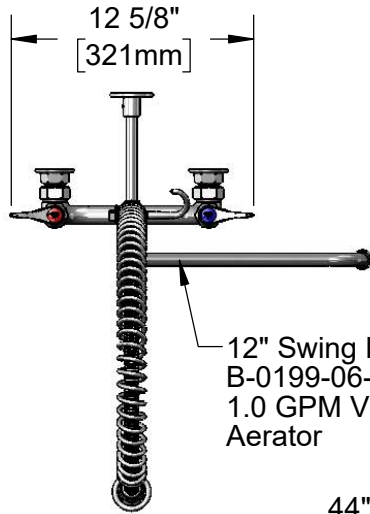
Job Name _____ Date _____

Model Specified _____ Quantity _____

Customer/Wholesaler _____

Contractor _____

Architect/Engineer _____



12" Swing Nozzle w/
 B-0199-06-F10
 1.0 GPM Vandal Resistant
 Aerator



44" Flexible Stainless
 Steel Hose w/ Spring
 & Spray Valve

B-TEE-RGD
 Tee for
 Accessory
 Fittings

Items Not Shown
 For Clarity

3/8" NPT x 18" Riser

Finger Hook

B-0107-C
 0.65 GPM
 Low Flow
 Spray Valve

EasyInstall
 Lock Nut
 & Bushing

B-0109-01
 6" Wall
 Bracket

39 1/2"
 [1003mm]

12"
 [305mm]

12 1/16"
 [306mm]

8 7/8"
 [225mm]

8 7/8"
 [225mm]

2 5/16"
 [59mm]

EasyInstall Add-On
 Faucet w/
 Quarter-Turn
 Cerama Cartridge
 & Lever Handle

3 11/16"
 [93mm]

8"
 [203mm]

Adjustable From
 7 3/4" to 8 1/4"
 [197mm to 210mm]

Quarter-Turn
 Cerama Cartridges
 w/ Check Valves &
 Lever Handles w/
 Color Coded Indexes

14 1/8"
 [358mm]

Mounting
 Surface

Ø2" [51mm]
 Flanges w/
 1/2" NPT
 Female Inlets

Product Specifications:

Pre-Rinse Unit: EasyInstall 8" Wall Mount Mixing Faucet, Quarter-Turn Cerama Cartridges w/ Check Valves, Lever Handles, Add-On Faucet, 12" Swing Nozzle, VR 1.0 GPM Aerator, 44" Flexible Stainless Steel Hose, 0.65 GPM Low Flow Spray Valve, Accessory Fitting Tee, 6" Wall Bracket & 1/2" NPT Female Inlets

Product Compliance:

ASME A112.18.1 / CSA B125.1
 NSF 61 - Section 9
 NSF 372 (Low Lead Content)
 EPA Act 2005 (PRSV)
 EPA WaterSense (PRSV)



T&S BRASS AND BRONZE WORKS, INC.

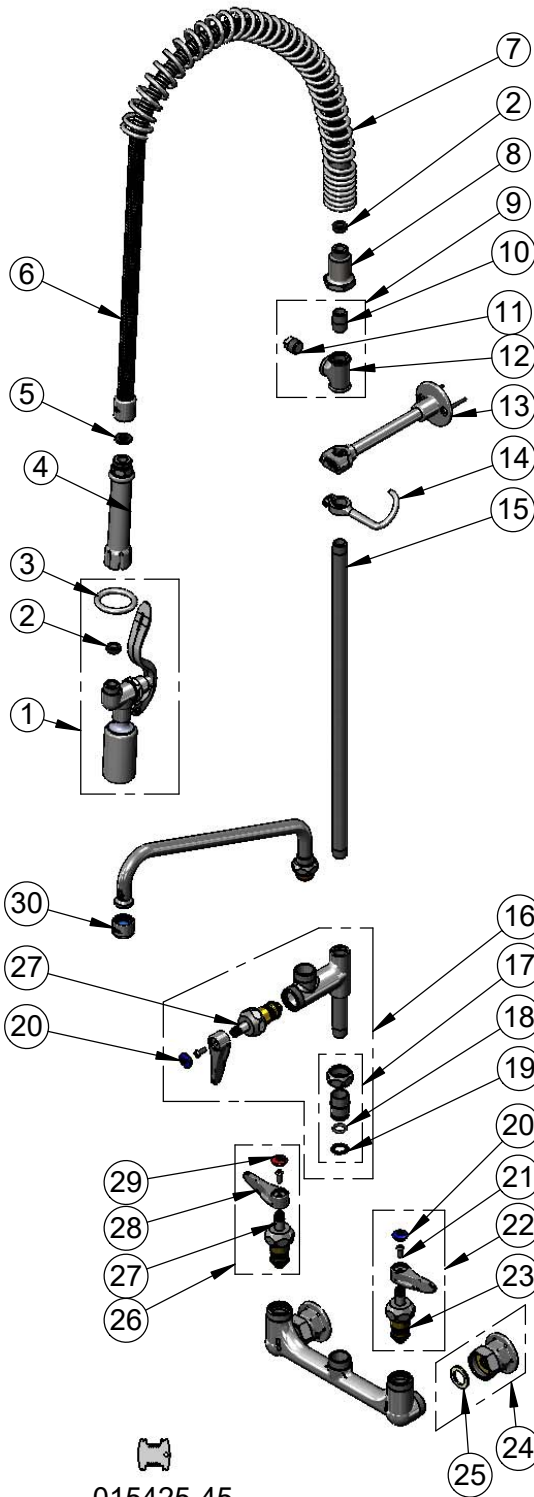
2 Saddleback Cove / P.O. Box 1088
Travelers Rest, SC 29690

Model No.

B-0133-12FCRBCT

Item No.

Travelers Rest, SC: 800-476-4103 • Simi Valley, CA: 800-423-0150 • Fax: 864-834-3518 • www.tsbrass.com



015425-45
Vandal Resistant Key

| ITEM NO. | SALES NO. | DESCRIPTION |
|----------|---------------|---|
| 1 | B-0107-C | 0.65 GPM Low Flow Spray Valve |
| 2 | 010476-45 | #27 Washer |
| 3 | 000907-45 | Spray Valve Hold Down Ring |
| 4 | 002987-40 | Grip Handle |
| 5 | 001014-45 | Washer, B-0100 Hose Barrel |
| 6 | B-0044-H2A | 44" Flexible Stainless Steel Hose, Less Handle |
| 7 | 000888-45 | EasyInstall Overhead Spring |
| 8 | 000821-40 | Spring Body |
| 9 | B-TEE-RGD | Rigid Tee for Accessory Fittings |
| 10 | 002535-25 | 3/8" Close Nipple |
| 11 | 002369-25 | 3/8" NPT Plug |
| 12 | 001614-40 | 3/8" NPT Tee |
| 13 | B-0109-01 | 6" Wall Bracket |
| 14 | 004R | Finger Hook |
| 15 | 000369-40 | 3/8" NPT x 18" Riser |
| 16 | B-0155-CR-LN | Add-On Faucet w/ Quarter-Turn Cerama Cartridge, RTC & Lever Handle, Less Nozzle |
| 17 | EZ-K | EasyInstall Kit: Nut, Bushing, O-Ring & Lock Washer |
| 18 | 001065-45 | O-ring |
| 19 | 014200-45 | Star Washer, Anti-Rotation |
| 20 | 018506-19NS | Blue Button Index, Press-in |
| 21 | 000925-45 | Lab Handle Screw |
| 22 | 012447-25NS | Quarter-Turn Cerama Cartridge w/ Check Valve, Handle, Blue Index & Screw, LTC |
| 23 | 012395-25NS | Quarter-Turn Cerama Cartridge w/ Check Valve, LTC |
| 24 | 00AA | 1/2" NPT Female Eccentric Flange |
| 25 | 001019-45 | Coupling Nut Washer |
| 26 | 012446-25NS | Quarter-Turn Cerama Cartridge w/ Check Valve, Handle, Red Index & Screw, RTC |
| 27 | 012394-25NS | Quarter-Turn Cerama Cartridge w/ Check Valve, RTC |
| 28 | 001638-45NS | Lever Handle (New Style) |
| 29 | 001193-19NS | Red Button Index, Press-in |
| 30 | B-0199-06-F10 | VR 1.0 GPM Aerator, 55/64-27 UN Female w/ Key |

Product Specifications:

Pre-Rinse Unit: EasyInstall 8" Wall Mount Mixing Faucet, Quarter-Turn Cerama Cartridges w/ Check Valves, Lever Handles, Add-On Faucet, 12" Swing Nozzle, VR 1.0 GPM Aerator, 44" Flexible Stainless Steel Hose, 0.65 GPM Low Flow Spray Valve, Accessory Fitting Tee, 6" Wall Bracket & 1/2" NPT Female Inlets

Product Compliance:

ASME A112.18.1 / CSA B125.1
NSF 61 - Section 9
NSF 372 (Low Lead Content)
EPA Act 2005 (PRSV)
EPA WaterSense (PRSV)