



T&S BRASS AND BRONZE WORKS, INC.
 2 Saddleback Cove / P.O. Box 1088
 Travelers Rest, SC 29690

Model No.
B-0126-R

Item No.

Travelers Rest, SC: 800-476-4103 • Simi Valley, CA: 800-423-0150 • Fax: 864-834-3518 • www.tsbrass.com

This Space for Architect/Engineer Approval

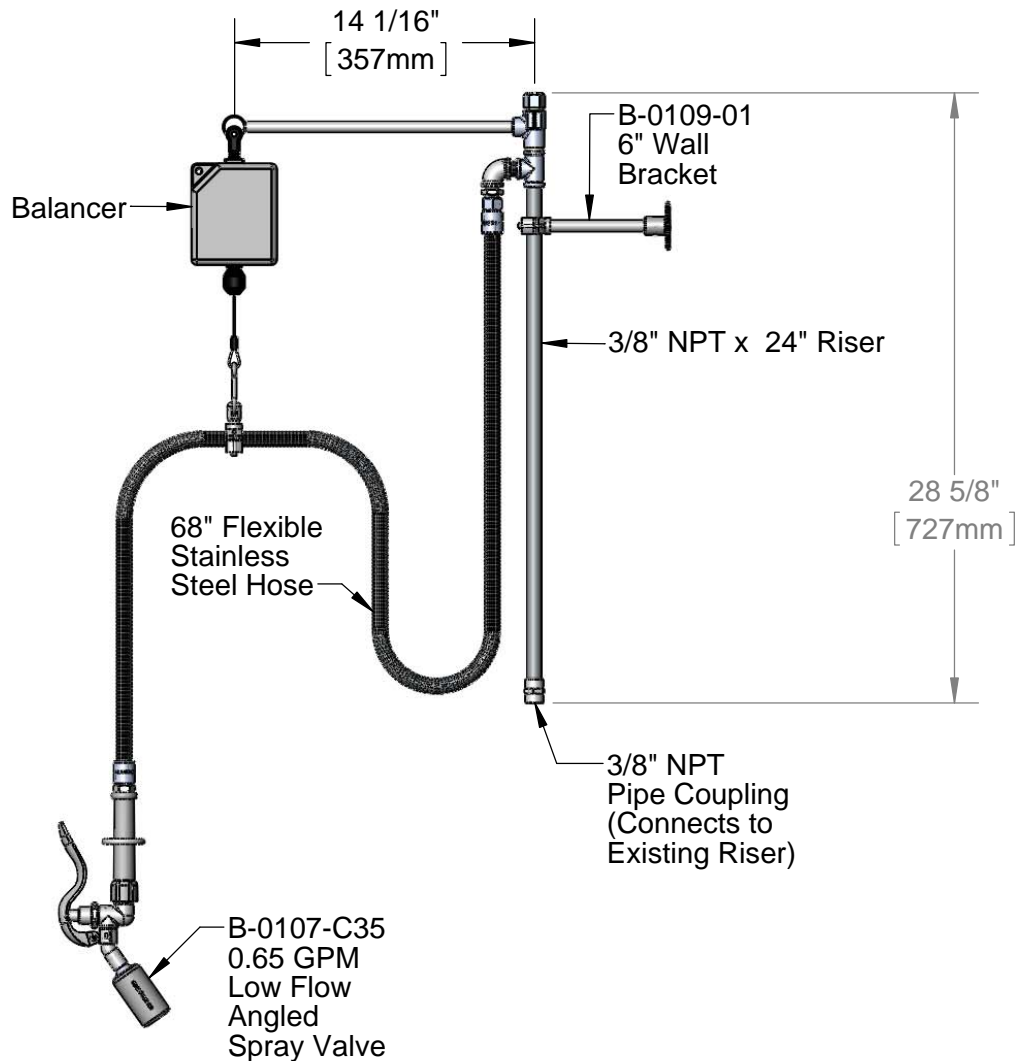
Job Name _____ Date _____

Model Specified _____ Quantity _____

Customer/Wholesaler _____

Contractor _____

Architect/Engineer _____



Product Specifications:

Pre-Rinse Unit: Retro-Fit w/ 24" Riser, 6" Wall Bracket, 14" Extension Arm, Balancer & 68" Flexible Stainless Steel Hose w/ 0.65 GPM Low Flow Angled Spray Valve

Product Compliance:

ASME A112.18.1 / CSA B125.1
 NSF 61 - Section 9
 NSF 372 (Low Lead Content)
 EPA Act 2005 (PRSV)



T&S BRASS AND BRONZE WORKS, INC.

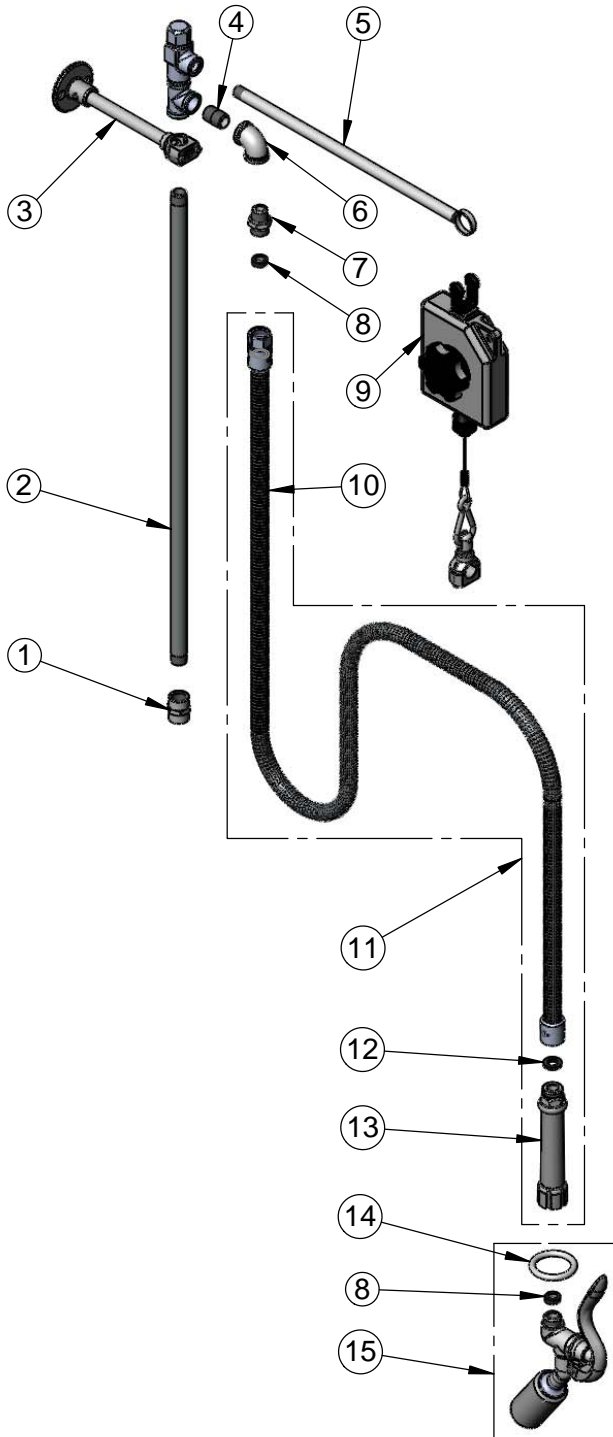
2 Saddleback Cove / P.O. Box 1088
Travelers Rest, SC 29690

Model No.

B-0126-R

Item No.

Travelers Rest, SC: 800-476-4103 • Simi Valley, CA: 800-423-0150 • Fax: 864-834-3518 • www.tsbrass.com



ITEM NO.	SALES NO.	DESCRIPTION
1	001769-40	Coupling, 3/8" NPT
2	000372-40	3/8" NPT x 24" Riser
3	B-0109-01	6" Wall Bracket
4	002535-25	3/8" Close Nipple
5	005252-20	Extension Arm, Chrome Plated
6	001355-40	Elbow, 3/8 NPT
7	053A	Adapter, 3/8" NPT Male
8	010476-45	#27 Washer
9	005311-40	Balancer
10	B-0068-H2A	68" Flexible Stainless Steel Hose, Less Handle
11	B-0068-H	68" Flexible Stainless Steel Hose
12	001014-45	Washer, B-0100 Hose Barrel
13	002987-40	Grip Handle
14	000907-45	Spray Valve Hold Down Ring
15	B-0107-C35	0.65 GPM Low Flow Angled Spray Valve

Product Specifications:

Pre-Rinse Unit: Retro-Fit w/ 24" Riser, 6" Wall Bracket, 14" Extension Arm, Balancer & 68" Flexible Stainless Steel Hose w/ 0.65 GPM Low Flow Angled Spray Valve

Product Compliance:

ASME A112.18.1 / CSA B125.1
NSF 61 - Section 9
NSF 372 (Low Lead Content)
EPA Act 2005 (PRSV)