



T&S BRASS AND BRONZE WORKS, INC.
 2 Saddleback Cove / P.O. Box 1088
 Travelers Rest, SC 29690

Model No.
B-0113-BT

Item No.

Travelers Rest, SC: 800-476-4103 • Simi Valley, CA: 800-423-0150 • Fax: 864-834-3518 • www.tsbrass.com

This Space for Architect/Engineer Approval

Job Name _____ Date _____
 Model Specified _____ Quantity _____
 Customer/Wholesaler _____
 Contractor _____
 Architect/Engineer _____



44" Flexible Stainless Steel
 Hose w/ Spring & Spray Valve

B-0109-01
 6" Wall
 Bracket

Items Not Shown
 For Clarity

Finger Hook

3/8" NPT x 24" Riser

B-0107
 1.15 GPM
 Spray Valve

EasyInstall
 Lock Nut & Bushing

Quarter-Turn
 Eterna Cartridges w/
 Spring Checks &
 Lever Handles w/
 Color Coded Indexes

Mounting Surface

2 5/16"
 [58mm]

12 9/16"
 [319mm]

14 1/16"
 [357mm]

42 1/16"
 [1068mm]

18" Flexible
 Stainless Steel
 Supply Hoses

1/2" BSTP Adapter

Ø 2 1/4"
 [57mm]
 Deck
 Flange

1 3/8"
 [35mm]
 Maximum
 Thickness

Rough-In Requirement:
 Ø 1 1/2" [38mm] Mounting Hole

Product Specifications:

Pre-Rinse Unit: EasyInstall Single Hole Deck Mount Mixing Faucet, Quarter-Turn Eterna Cartridges w/ Spring Checks, Lever Handles, 44" Flexible Stainless Steel Hose, 1.15 GPM Spray Valve, 6" Wall Bracket & Flexible Stainless Steel Supply Hoses with 1/2" BSTP Inlets

Product Compliance:

ASME A112.18.1 / CSA B125.1
 NSF 61 - Section 9
 NSF 372 (Low Lead Content)
 2019 DOE PRSV - Class II



T&S BRASS AND BRONZE WORKS, INC.

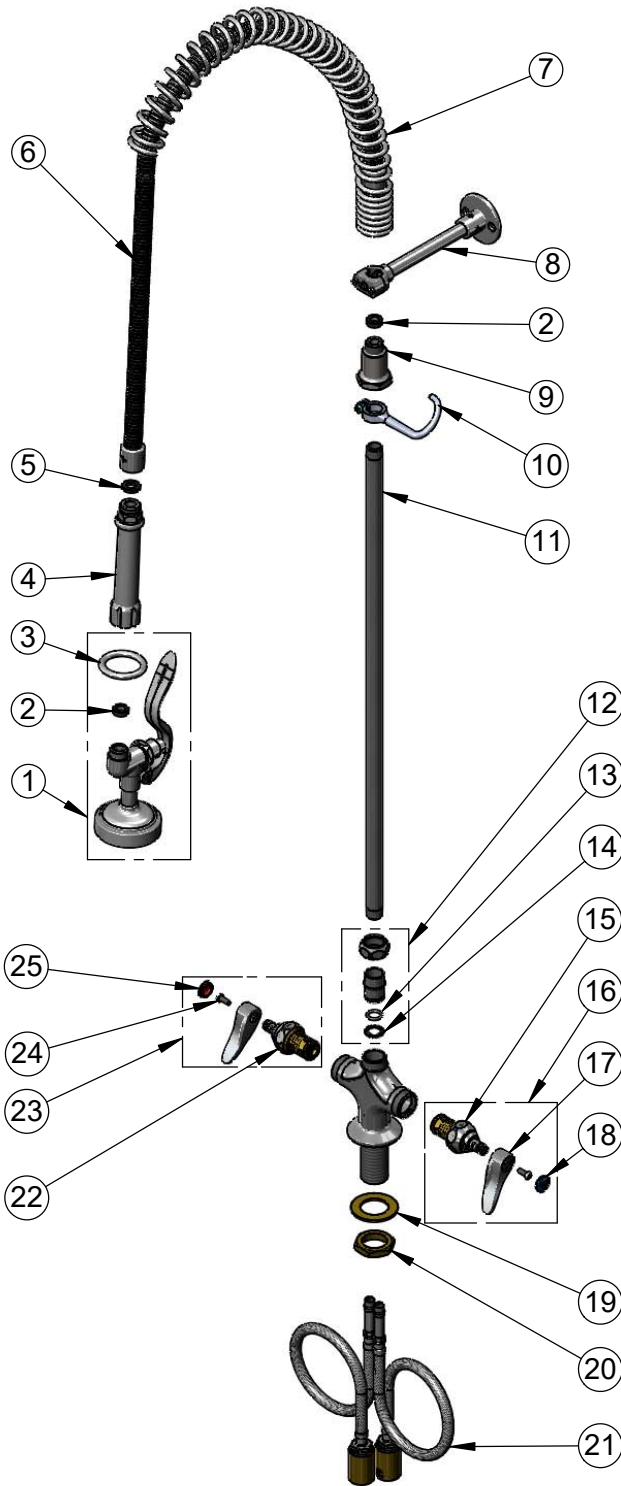
2 Saddleback Cove / P.O. Box 1088
Travelers Rest, SC 29690

Model No.

B-0113-BT

Item No.

Travelers Rest, SC: 800-476-4103 • Simi Valley, CA: 800-423-0150 • Fax: 864-834-3518 • www.tsbrass.com



ITEM NO.	SALES NO.	DESCRIPTION
1	B-0107	1.15 GPM Spray Valve
2	010476-45	#27 Washer
3	000907-45	Spray Valve Hold Down Ring
4	002987-40	Grip Handle
5	001014-45	Washer, B-0100 Hose Barrel
6	B-0044-H2A	44" Flexible Stainless Steel Hose, Less Handle
7	000888-45	EasyInstall Overhead Spring
8	B-0109-01	6" Wall Bracket
9	000821-40	Spring Body
10	004R	Finger Hook
11	000372-40	3/8" NPT x 24" Riser
12	EZ-K	EasyInstall Kit: Nut, Bushing, O-Ring & Lock Washer
13	001065-45	O-Ring
14	014200-45	Star Washer, Anti-Rotation
15	012442-40NS	Quarter-Turn Eterna Cartridge w/ Spring Check, LTC
16	002711-40NS	Quarter-Turn Eterna Cartridge w/ Spring Check, Handle, Blue Index & Screw, LTC
17	001638-45NS	Lever Handle (New Style)
18	018506-19NS	Blue Button Index, Press-in
19	002290-45	Lock Washer
20	000965-45	Lock Nut
21	019217-40	18" Flexible Supply Hose w/ 1/2" BTSP Inlet
22	012443-40NS	Quarter-Turn Eterna Cartridge w/ Spring Check, RTC
23	002712-40NS	Quarter-Turn Eterna Cartridge w/ Spring Check, Handle, Red Index & Screw, RTC
24	000925-45	Lab Handle Screw
25	001193-19NS	Red Button Index, Press-in

Product Specifications:

Pre-Rinse Unit: EasyInstall Single Hole Deck Mount Mixing Faucet, Quarter-Turn Eterna Cartridges w/ Spring Checks, Lever Handles, 44" Flexible Stainless Steel Hose, 1.15 GPM Spray Valve, 6" Wall Bracket & Flexible Stainless Steel Supply Hoses with 1/2" BSTP Inlets

Product Compliance:

ASME A112.18.1 / CSA B125.1
NSF 61 - Section 9
NSF 372 (Low Lead Content)
2019 DOE PRSV - Class II