



T&S BRASS AND BRONZE WORKS, INC.
 2 Saddleback Cove / P.O. Box 1088
 Travelers Rest, SC 29690

Model No.
B-0113-10CRBJST

Item No.

Travelers Rest, SC: 800-476-4103 • Simi Valley, CA: 800-423-0150 • Fax: 864-834-3518 • www.tsbrass.com

This Space for Architect/Engineer Approval

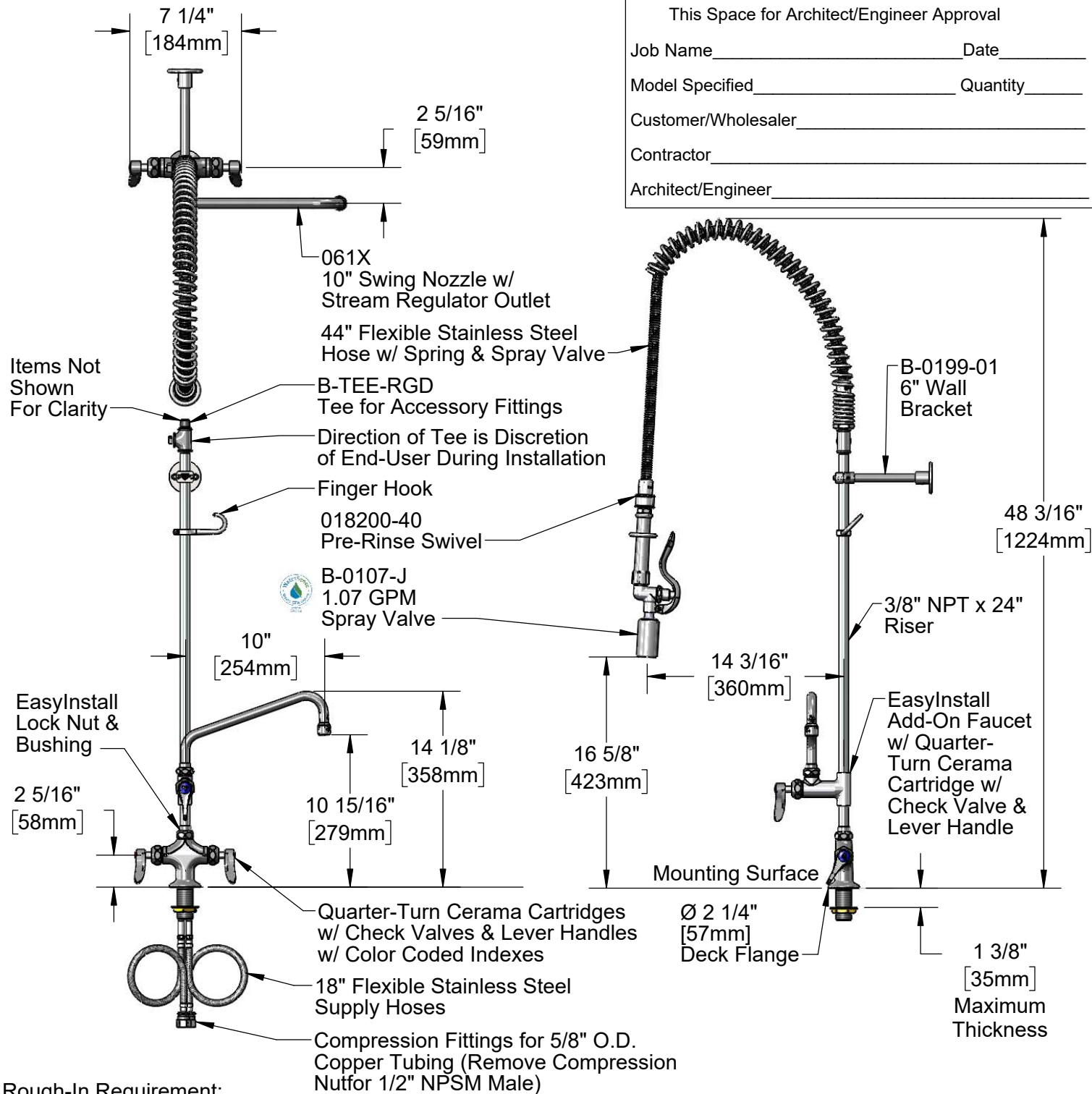
Job Name _____ Date _____

Model Specified _____ Quantity _____

Customer/Wholesaler _____

Contractor _____

Architect/Engineer _____



Rough-In Requirement:
 Ø 1 1/2" [38mm] Mounting Hole

Product Specifications:

EasyInstall Pre-Rinse Unit: Single Hole Deck Mount Mixing Faucet, Quarter-Turn Cerama Cartridges w/ Check Valves, Lever Handles, Add-On Faucet w/ 10" Swing Nozzle, 24" Riser, 44" Flexible Stainless Steel Hose, 1.07 GPM Spray Valve, Flexible Supply Hoses, Pre-Rinse Swivel, Accessory Fitting & 6" Wall Bracket

Product Compliance:

ASME A112.18.1 / CSA B125.1
 NSF 61 - Section 9
 NSF 372 (Low Lead Content)
 EPA Act 2005 (PRSV)
 EPA WaterSense (PRSV)



T&S BRASS AND BRONZE WORKS, INC.

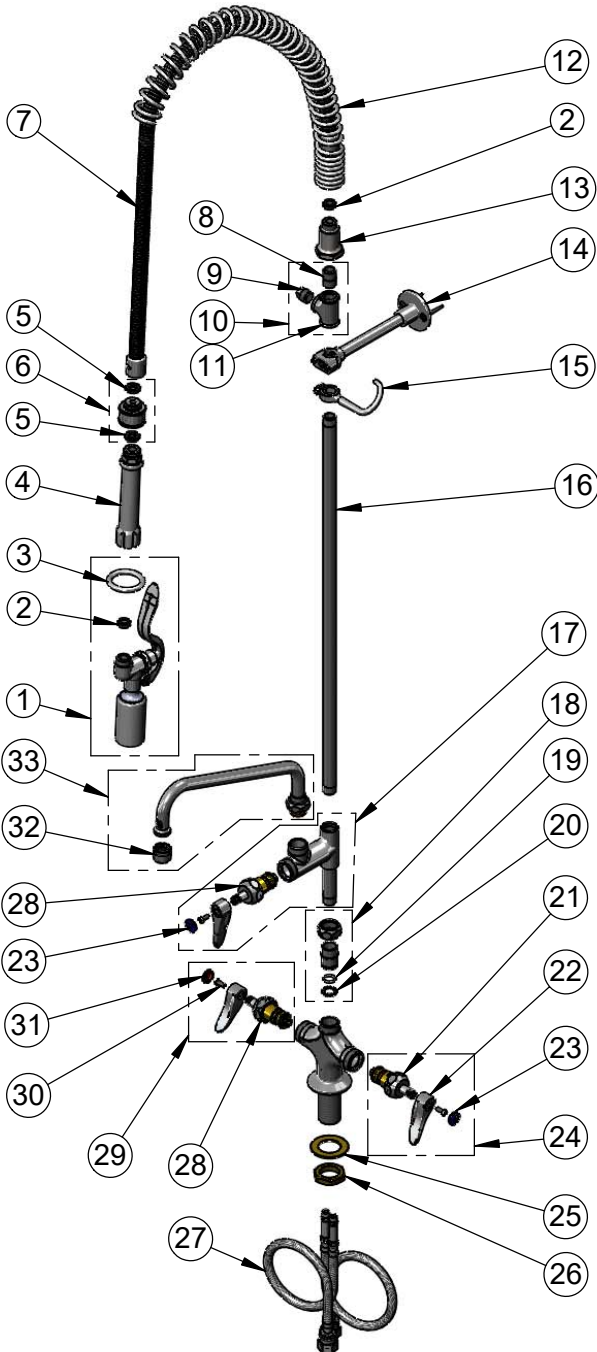
2 Saddleback Cove / P.O. Box 1088
Travelers Rest, SC 29690

Model No.

B-0113-10CRBJST

Item No.

Travelers Rest, SC: 800-476-4103 • Simi Valley, CA: 800-423-0150 • Fax: 864-834-3518 • www.tsbrass.com



| ITEM NO. | SALES NO. | DESCRIPTION |
|----------|--------------|---|
| 1 | B-0107-J | 1.07 GPM Spray Valve |
| 2 | 010476-45 | #27 Washer |
| 3 | 000907-45 | Spray Valve Hold Down Ring |
| 4 | 002987-40 | Grip Handle |
| 5 | 001014-45 | Washer, B-0100 Hose Barrel |
| 6 | 018200-40 | Pre-Rinse Swivel |
| 7 | B-0044-H2A | 44" Flexible Stainless Steel Hose, Less Handle |
| 8 | 002535-25 | 3/8" NPT Close Nipple |
| 9 | 002369-25 | 3/8" NPT Plug |
| 10 | B-TEE-RGD | Rigid Tee |
| 11 | 001614-40 | 3/8" NPT Tee |
| 12 | 000888-45 | EasyInstall Overhead Spring |
| 13 | 000821-40 | Spring Body |
| 14 | B-0109-01 | B-109 Wall Bracket Body |
| 15 | 004R | Finger Hook |
| 16 | 000372-40 | 3/8" NPT x 24" Riser |
| 17 | B-0155-CR-LN | Add-On Faucet, Less Nozzle |
| 18 | EZ-K | EasyInstall Kit: Nut, Bushing, O-ring & Lock Washer |
| 19 | 001065-45 | O-ring |
| 20 | 014200-45 | Star Washer, Anti-Rotation |
| 21 | 012395-25NS | Quarter-Turn Cerama Cartridge w/ Check Valve, LTC |
| 22 | 001638-45NS | Lever Handle (New Style) |
| 23 | 018506-19NS | Blue Button Index, Press-in |
| 24 | 012447-25NS | Quarter-Turn Cerama Cartridge w/ Check Valve, Handle, Blue Index & Screw, LTC |
| 25 | 002290-45 | Lock Washer |
| 26 | 000965-45 | Lock Nut |
| 27 | 012534-45 | 18" Flexible Supply Hose (2) |
| 28 | 012394-25NS | Quarter-Turn Cerama Cartridge w/ Check Valve, RTC |
| 29 | 012446-25NS | Quarter-Turn Cerama Cartridge w/ Check Valve, Handle, Red Index & Screw, RTC |
| 30 | 000925-45 | Lab Handle Screw |
| 31 | 001193-19NS | Red Button Index, Press-in |
| 32 | B-PT | Stream Regulator Outlet |
| 33 | 061X | 10" Swing Nozzle |

Product Specifications:
EasyInstall Pre-Rinse Unit: Single Hole Deck Mount Mixing Faucet, Quarter-Turn Cerama Cartridges w/ Check Valves, Lever Handles, Add-On Faucet w/ 10" Swing Nozzle, 24" Riser, 44" Flexible Stainless Steel Hose, 1.07 GPM Spray Valve, Flexible Supply Hoses, Pre-Rinse Swivel, Accessory Fitting & 6" Wall Bracket

Product Compliance:
ASME A112.18.1 / CSA B125.1
NSF 61 - Section 9
NSF 372 (Low Lead Content)
EPA Act 2005 (PRSV)
EPA WaterSense (PRSV)