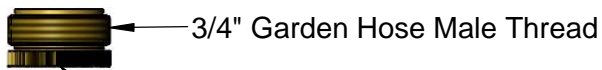
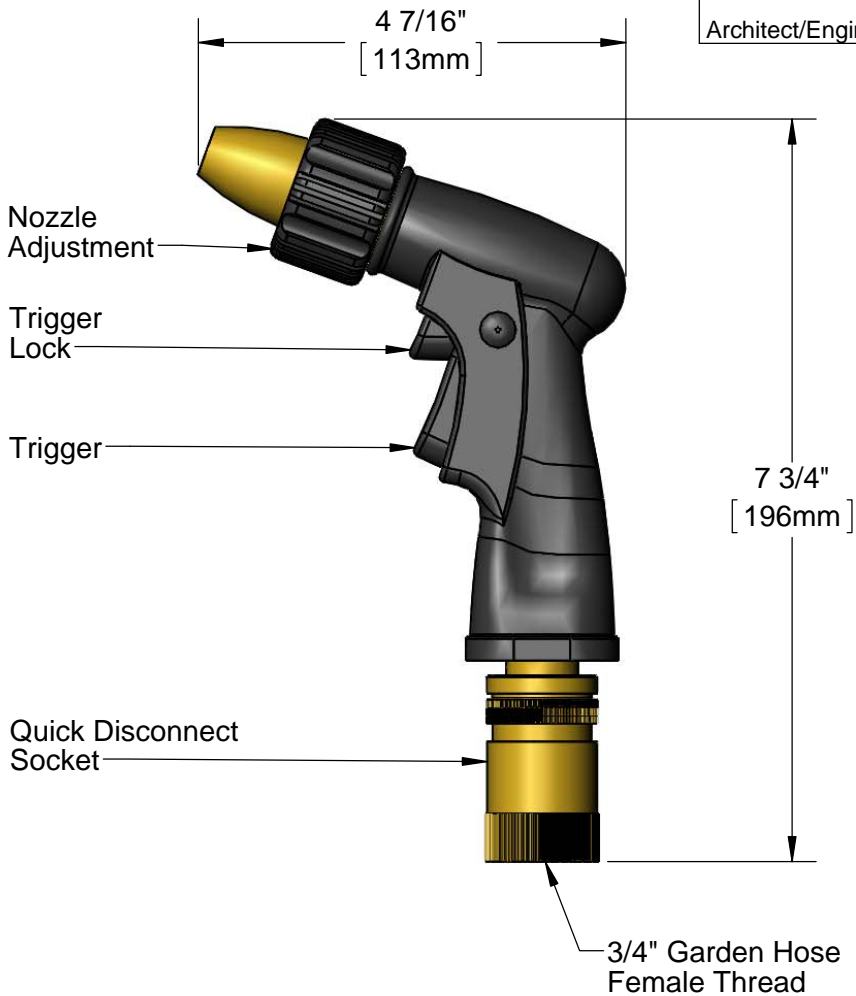
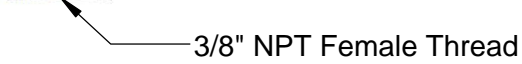


This Space for Architect/Engineer Approval

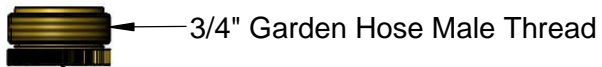
Job Name _____ Date _____
 Model Specified _____ Quantity _____
 Customer/Wholesaler _____
 Contractor _____
 Architect/Engineer _____



3/4" Garden Hose Male Thread



3/8" NPT Female Thread



3/4" Garden Hose Male Thread



1/2" NPSM Female Thread

Model Number
5WG-1000-01

Product Specifications:
Water Gun w/ Quick Disconnect, 1/2" & 3/8" Adapters

Product Compliance:
 NSF 61 Exempt (Non-Potable)

equip Foodservice Accessories



2 Saddleback Cove, P.O. Box 1088
 Travelers Rest, South Carolina 29690
 Phone: 800.891.4808 Fax: 800.868.0084
 equip.tsbrass.com