



This Space for Architect/Engineer Approval

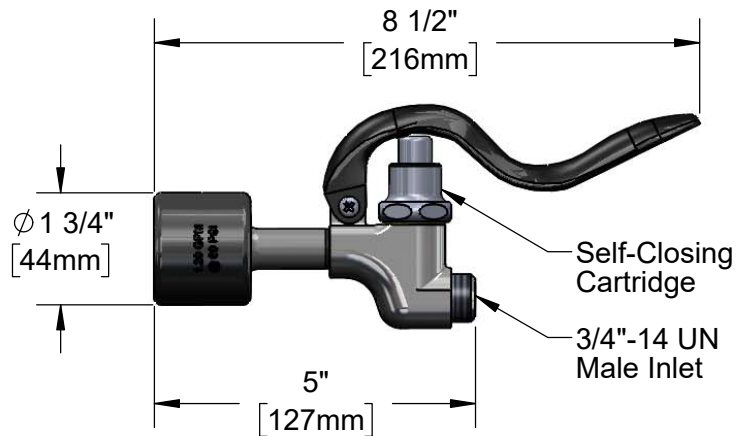
Job Name _____ Date _____

Model Specified _____ Quantity _____

Customer/Wholesaler _____

Contractor _____

Architect/Engineer _____



Flow Rate: 1.20 GPM (4.5 Lpm) @ 60 psi
 Spray Force: 7.7 Ozf (218 Gramf) @ 60 psi

Model Number <h2 style="text-align: center;">5SV-C</h2>	Product Specifications: <h3 style="text-align: center;">1.20 GPM Low Flow Spray Valve Assembly For Pre-Rinse Unit</h3>				
Product Compliance: ASME A112.18.1 / CSA B125.1 NSF 61 - Section 9 NSF 372 (Low Lead Content) 2019 DOE PRSV - Class II EPA WaterSense (PRSV)	<div style="display: flex; justify-content: space-between; align-items: center;"> <div data-bbox="600 1906 738 1980"> <p>equip Foodservice Accessories</p> </div> <div data-bbox="743 1858 1096 2032"> </div> <div data-bbox="1101 1894 1567 1995"> <p>2 Saddleback Cove, P.O. Box 1088 Travelers Rest, South Carolina 29690 Phone: 800.891.4808 Fax: 800.868.0084 equip.tsbrass.com</p> </div> </div>				
Drawn: JRM	Checked: GEF	Approved: JHB	Date: 09/27/18	Scale: 1:4	Sheet: 1 of 1